

LQG18HN8N2J00#

“#” indicates a package specification code.

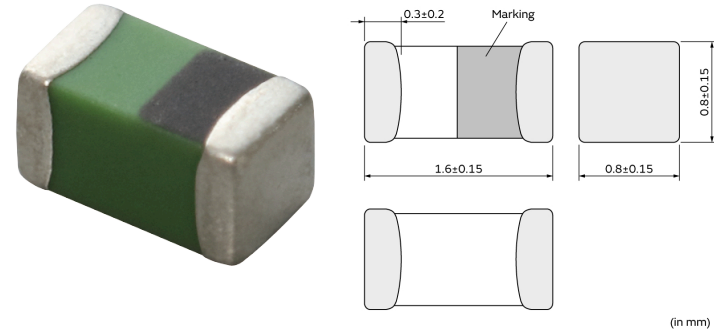
Size Code 1608 (0603) in mm (in inch), Multilayer Type



< List of part numbers with package codes >

LQG18HN8N2J00B LQG18HN8N2J00D LQG18HN8N2J00J

Appearance & Shape



References

Packaging	Specifications	Standard Packing Quantity
B	Bulk(Bag)	1000
D	180mm Paper Tape	4000
J	330mm Paper Tape	10000

Mass (typ.)	
1 piece	0.003g

Attention

- 1.This datasheet is downloaded from the website of Murata Manufacturing Co., Ltd. Therefore, it's specifications are subject to change or our products in it may be discontinued without advance notice. Please check with our sales representatives or product engineers before ordering.
- 2.This datasheet has only typical specifications because there is no space for detailed specifications. Therefore, please review our product specifications or consult the approval sheet for product specifications before ordering.

LQG18HN8N2J00#

“#” indicates a package specification code.



Specifications

L size	1.6±0.15mm
W size	0.8±0.15mm
T size	0.8±0.15mm
Size code inch (mm)	0603 (1608)
Inductance	8.2nH±5%
Inductance Test Frequency	100MHz
Rated current (Itemp) (Based on Temperature rise)	800mA
Max. of DC resistance	0.2Ω
Q(min.)	12
Q Test Frequency	100MHz
Self resonance frequency (min.)	4000MHz
Operating Temperature Range(Self-temperature rise is not included)	-40°C to 85°C
Series	LQG18HN_00

Attention

1.This datasheet is downloaded from the website of Murata Manufacturing Co., Ltd. Therefore, it's specifications are subject to change or our products in it may be discontinued without advance notice. Please check with our sales representatives or product engineers before ordering.

2.This datasheet has only typical specifications because there is no space for detailed specifications.

Therefore, please review our product specifications or consult the approval sheet for product specifications before ordering.

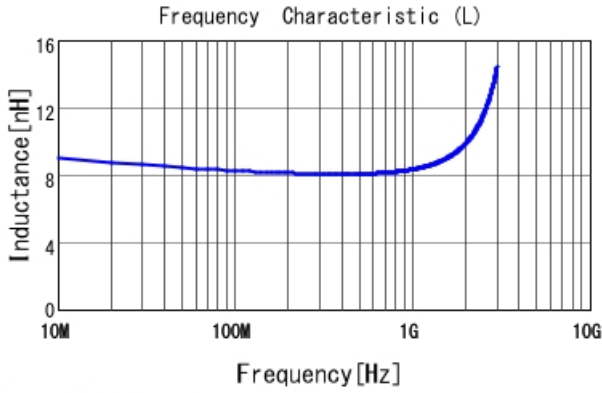
LQG18HN8N2J00#

“#” indicates a package specification code.

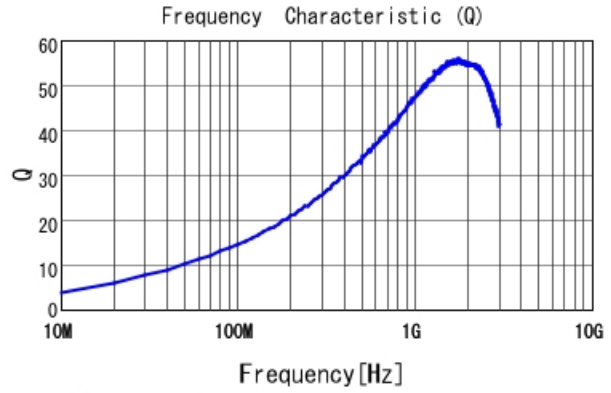


Characteristic Data

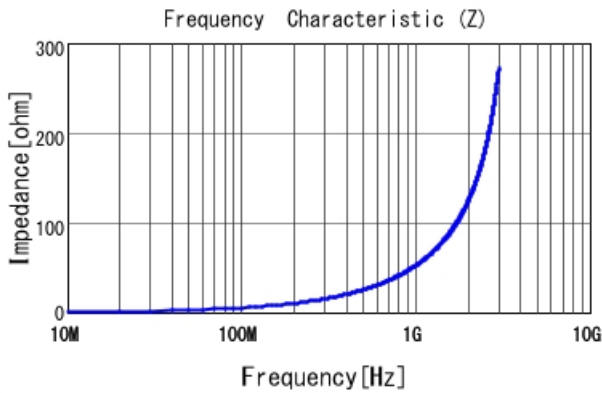
The charts below may show another part number which shares its characteristics.



LQG18HN8N2J00 L



LQG18HN8N2J00 Q



LQG18HN8N2J00 |Z|

Attention

- 1.This datasheet is downloaded from the website of Murata Manufacturing Co., Ltd. Therefore, it's specifications are subject to change or our products in it may be discontinued without advance notice. Please check with our sales representatives or product engineers before ordering.
- 2.This datasheet has only typical specifications because there is no space for detailed specifications. Therefore, please review our product specifications or consult the approval sheet for product specifications before ordering.