

D38999/32 and D38999/33 Composite or Metal Protective Covers Plug and Receptacle • MIL-DTL-38999 Series III Threaded

CONNECTOR INTERFACE

MIL-DTL-38999, Series III Threaded

APPLICATION NOTES

1. Assembly identified with manufacturer's name and part number, space permitting.
2. For complete dimensions, see the applicable Military Specification.
3. Metric dimensions (mm) are in parentheses.

Basic Part Number

D38999/32 = Plug Cover
D38999/33 = Receptacle Cover

Shell Size Designator

Attachment Style
R or N

D38999/32

W

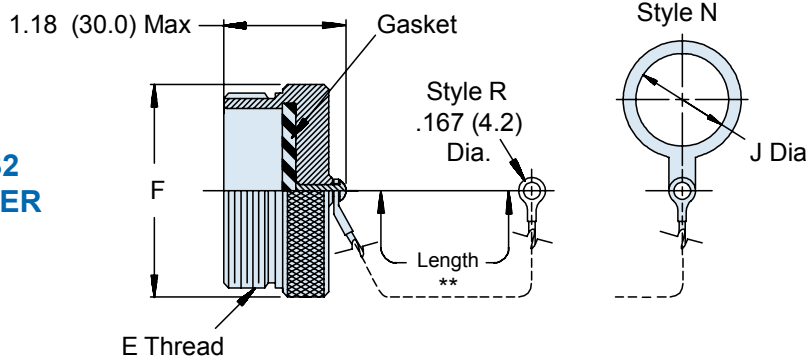
15

N

Material and Finish

W = Aluminum, 500 Hour Cadmium Olive Drab
J = Composite, Cadmium Olive Drab
M = Composite, Electroless Nickel

D38999/32 PLUG COVER



** Rope Length
5.000 (127.0)
+.50 (+13.0)
-.25 (-7.0)

D38999/33 RECEPTACLE COVER

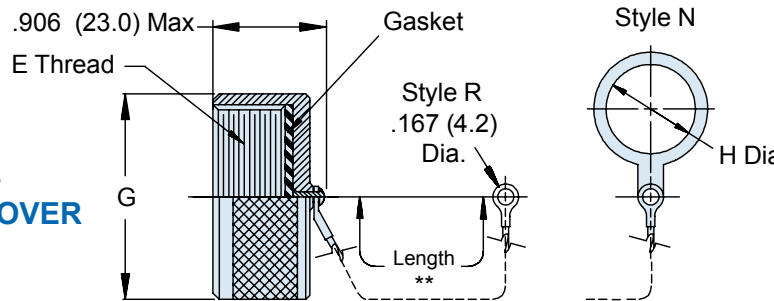


TABLE I: Shell Size, Thread and Dimensions

| Shell Size | E Thread | F Max | G Max | H Min | J Min |
|------------|---------------------|--------------|--------------|--------------|--------------|
| 9 | .6250-0.1P-0.3L-TS | .906 (23.0) | .906 (23.0) | .694 (17.6) | .512 (13.0) |
| 11 | .7500-0.1P-0.3L-TS | 1.024 (26.0) | 1.102 (28.0) | .865 (22.0) | .709 (18.0) |
| 13 | .8750-0.1P-0.3L-TS | 1.220 (31.0) | 1.220 (31.0) | .989 (25.1) | .787 (20.0) |
| 15 | 1.0000-0.1P-0.3L-TS | 1.300 (33.0) | 1.260 (32.0) | 1.178 (29.9) | .906 (23.0) |
| 17 | 1.1875-0.1P-0.3L-TS | 1.457 (37.0) | 1.457 (37.0) | 1.260 (32.0) | 1.024 (26.0) |
| 19 | 1.2500-0.1P-0.3L-TS | 1.575 (40.0) | 1.535 (39.0) | 1.428 (36.3) | 1.142 (29.0) |
| 21 | 1.3750-0.1P-0.3L-TS | 1.732 (44.0) | 1.654 (42.0) | 1.506 (38.3) | 1.260 (32.0) |
| 23 | 1.5000-0.1P-0.3L-TS | 1.811 (46.0) | 1.772 (45.0) | 1.678 (42.6) | 1.339 (34.0) |
| 25 | 1.6250-0.1P-0.3L-TS | 1.969 (50.0) | 1.929 (49.0) | 1.750 (44.5) | 1.535 (39.0) |