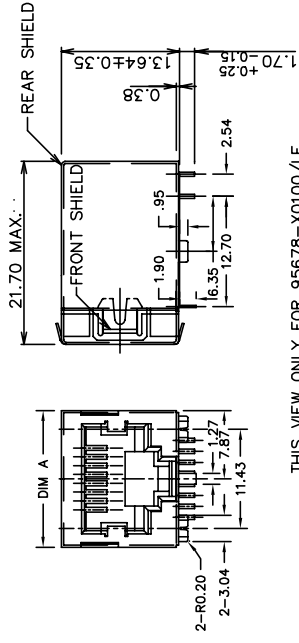
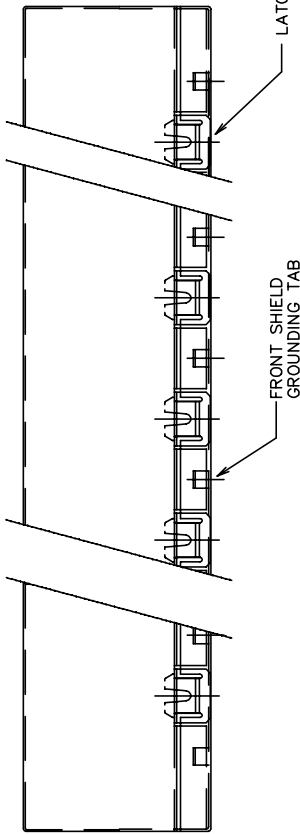
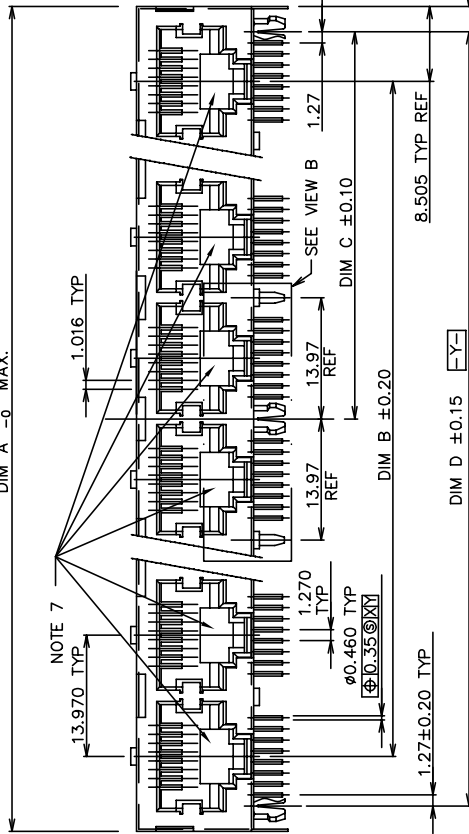


PRODUCT NO.  
SEE TABLE



THIS VIEW ONLY FOR 95678-X0100/LF  
WITH FRONT TONGUE  
NO GROUNDING TABS AND PEGS

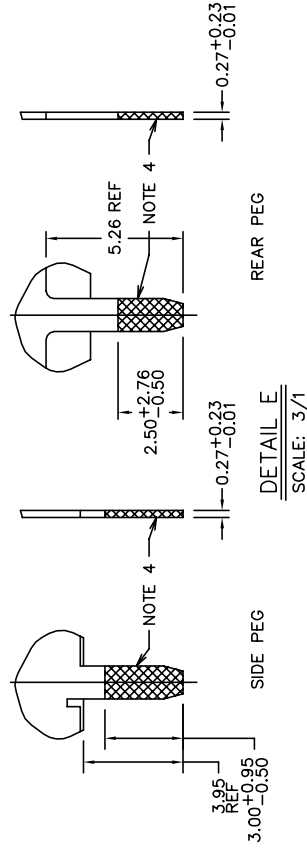


FOR -X01A, -X01ANLF & -X01ALF ONLY

FOR -X01, -X01NLF & -X01LF ONLY

OPTIONAL GROUND TAB LOCATION  
FOR 1 PORT ONLY

GROUND TAB LOCATION  
FOR 2 THRU 12 PORT



SCALE: 3/1

mat'l. code	surface	tolerance	projection	product family
R	ISO 1301	ISO406 ISO1101		MOD JACK
trlec n	date	tolerances unless other specified	MM	
EX-N-01102 SH	03/27/12	0.xx±0.3		
V03-1103 PJ	10/23/03	0.xx±0.13		
N04-0101 MHT	1/12/05	0.xxx±0.051		
N06-0225 LONG	8/25/06	L.POTTIEGER	8/30/95	
N06-0289 LONG	12/06/06	ENR Y.BELOPOLSKY	8/30/95	
N08-0100 SH	09/25/08	CHR Y.BELOPOLSKY	8/30/95	
P EX-N-00784	SH 2011-11-17	PPF, BELOPOLSKY	8/30/95	
sheet index	revision	R	R	R
	sheet	1	2	3
		4	5	6
		7		



R/A CAT5 GANG JACK ASSY  
8 POS SHIELDED SNAP PEG  
awg no 20  
sheet of 7 size A4

Product 95678  
Customer Drawing

PRODUCT NO	PORTS NO	DIA A ±.60 -.00	DIM B	DIM C±0.10	DIM D±0.15	GROUND LEG NUMBER ON THE BACK (VIEW B)	COMMENT
95678-X01	1	15.74	-	5.715	11.43	SEE DIAGRAM ON SHT. 3	NOTE 5
95678-X01LF							
95678-X01NLF							
95678-X0100							
95678-X0100LF							
95678-X01A	1	15.74	-	5.715	11.43		NOTE 5
95678-X01ALF							
95678-X01ANLF							
95678-X02YZ	2	30.96	13.97	12.700	25.40		NO TOOL
95678-X02ZLF							
95678-X02NYZLF							
95678-X03YZ	3	44.95	27.94	19.685	30.37		NO TOOL
95678-X03ZLF							
95678-X03NYZLF							
95678-X04YZ	4	58.92	41.91	26.670	53.34		NO TOOL
95678-X04ZLF							
95678-X04NYZLF							
95678-X05YZ	5	72.89	55.88	33.655	67.31		NO TOOL
95678-X05ZLF							
95678-X05NYZLF							
95678-X06YZ	6	86.86	69.85	40.640	81.28		NO TOOL
95678-X06ZLF							
95678-X06NYZLF							
95678-X07YZ	7	100.83	83.82	47.625	95.25		NO TOOL
95678-X07ZLF							
95678-X07NYZLF							
95678-X08YZ	8	114.80	97.79	54.610	109.22		NO TOOL
95678-X08ZLF							
95678-X08NYZLF							
95678-X09YZ	9	128.77	111.76	61.595	123.19		NO TOOL
95678-X09ZLF							
95678-X09NYZLF							
95678-X10YZ	10	142.74	125.73	68.580	137.16		NO TOOL
95678-X10ZLF							
95678-X10NYZLF							
95678-X11YZ	11	156.71	139.70	75.565	151.13		NO TOOL
95678-X11ZLF							
95678-X11NYZLF							
95678-X12YZ	12	170.68	153.67	82.550	165.10		NO TOOL
95678-X12ZLF							
95678-X12NYZLF							

FRONT SHIELD CODE Y	
0	= STANDARD GRND. TABS
1	= NO GRND. TABS

REAR SHIELD CODE Z	
0	= STANDARD GRND. LEGS
1	= 1 GRND. LEG
2	= ALL GRND. LEGS
3	= NO GRND. LEGS

PLATING CODE X	PLATING
0	5u" Au + high performance lubricant
1	15u" GOLD.
3	5u" Au + high performance lubricant
5	50u" GXT.

NOTE: PLEASE CHECK FOR AVAILABILITY, NOT ALL OPTIONS AVAILABLE.

NOTES:

1. RECOMMENDED P.C.B THICKNESS 1.60 MM.
2. HOUSING MAT'L: HIGH TEMP RESIN.
3. CONTACTS: PHOS BRONZE ALLOY UNS-C51000, Ø 0.460 ROUND WIRE, PLATING SEE TABLE.
- ④ SHIELD MAT'L: BRASS ALLOY, 0.25 MM THICK. SHIELD PLATING:  
-FOR 95678-X01 THRU 95678-X12YZ BRIGHT TIN LEAD, 100u"MIN OVER NICKEL.

LEAD FREE OPTION:

- FOR 95678-X01NLF THRU 95678-X12NYZLF NICKEL, 30u"MIN WITH SELECTIVE TIN ON SOLDER TAILS. SEE DETAIL E.
- FOR 95678-X01LF THRU 95678-X12ZLF BRIGHT PURE TIN, 80u"MIN OVER NICKEL.

- ⑤ SEE SIDE VIEW ON SHT. 1 FOR DETAILS.
6. ALL DIMENSIONS IN MILLIMETER.

- ⑦ COMPANY LOGO LOCATED IN THIS AREA.

8. PART NUMBERS WITH LF IN THE END ARE LEAD FREE.

9. LEAD FREE STATEMENT: THIS PRODUCT MEETS EUROPEAN UNION DIRECTIVES AN OTHER COUNTRY REGULATION AS DESCRIBED IN GS-22-008.

10. THE HOUSING TEMPERATURE WITHSTAND EXPOSURE TO 260°C PEAK TEMPERATURE FOR 15 SECONDS IN A WAVE SOLDER APPLICATION WITH A 1.5 MM MINIMUM THICK CIRCUIT BOARD. SEE APPLICATION NOTES/PROCEDURES IF THEY ARE AVAILABLE.

- ⑩ EQUIVALENT THICKNESS Au AND GXT PLATING HAVE SAME FUNCTION AND THEY ARE ALTERNATIVE BY THE CUSTOEMR .

12. PRODUCT SPECIFICATION GS-12-083

- PRODUCT PACKAGING SPECIFICATION GS-14-361

mat'l. code	surface	tolerance	projection	product family
ISO 1301	ISO 1301	ISO 406 ISO 1101	MOD JACK	
tr/ecln nqdr	date	tolerances unless otherwiser	specifictitle	
R		0.±0.3	MM	
	angle	0.±0.13	scale 1.0	
	0'±2'	0.±±±±0.051		
	dr	L.POTTIEGER	8/30/95	awg no
	eng	Y.BELOPOLSKY	8/30/95	R/A CAT5 GANG JACK ASSY
	chrt	Y.BELOPOLSKY	8/30/95	8 POS SHIELDED SNAP PEG
	app	Y.BELOPOLSKY	8/30/95	sheet 2 of 7 size
sheet index	revision			type
				Product Customer Drawing
				95678
				A4



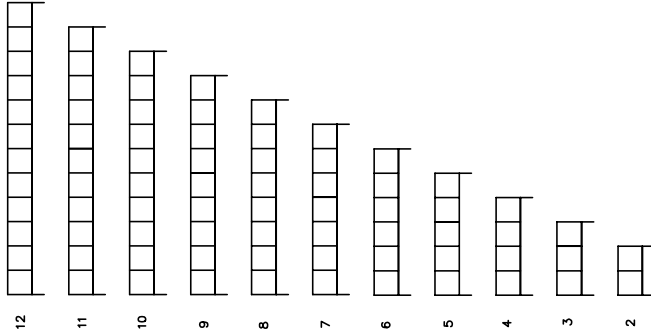
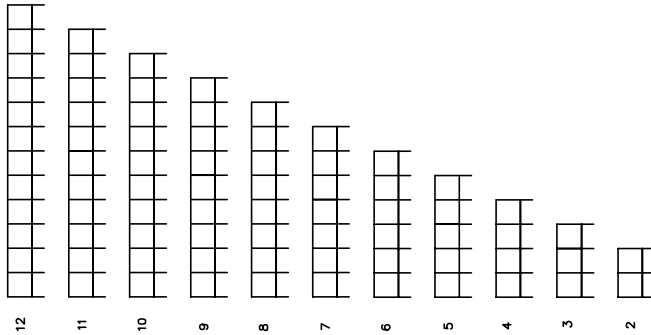
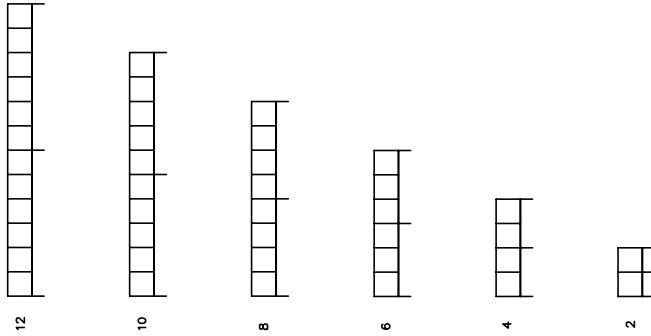
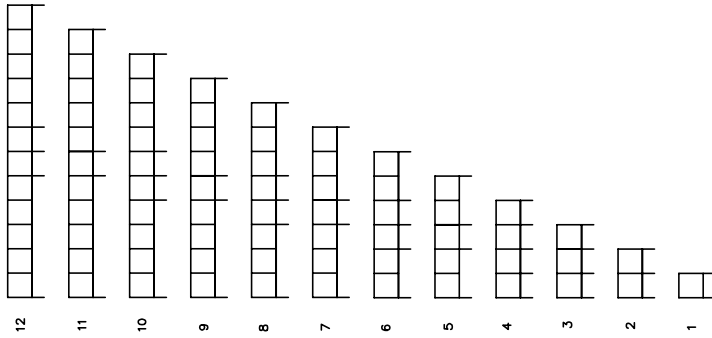
REAR SHIELD (VIEWED FROM PLUG ENTRY SIDE)  
GROUND SOLDER TAIL CONFIGURATION

CODE "Z" = 0

CODE "Z" = 1

CODE "Z" = 2

CODE "Z" = 3



PCB LAYOUT SHEET 4

PCB LAYOUT SHEET 5

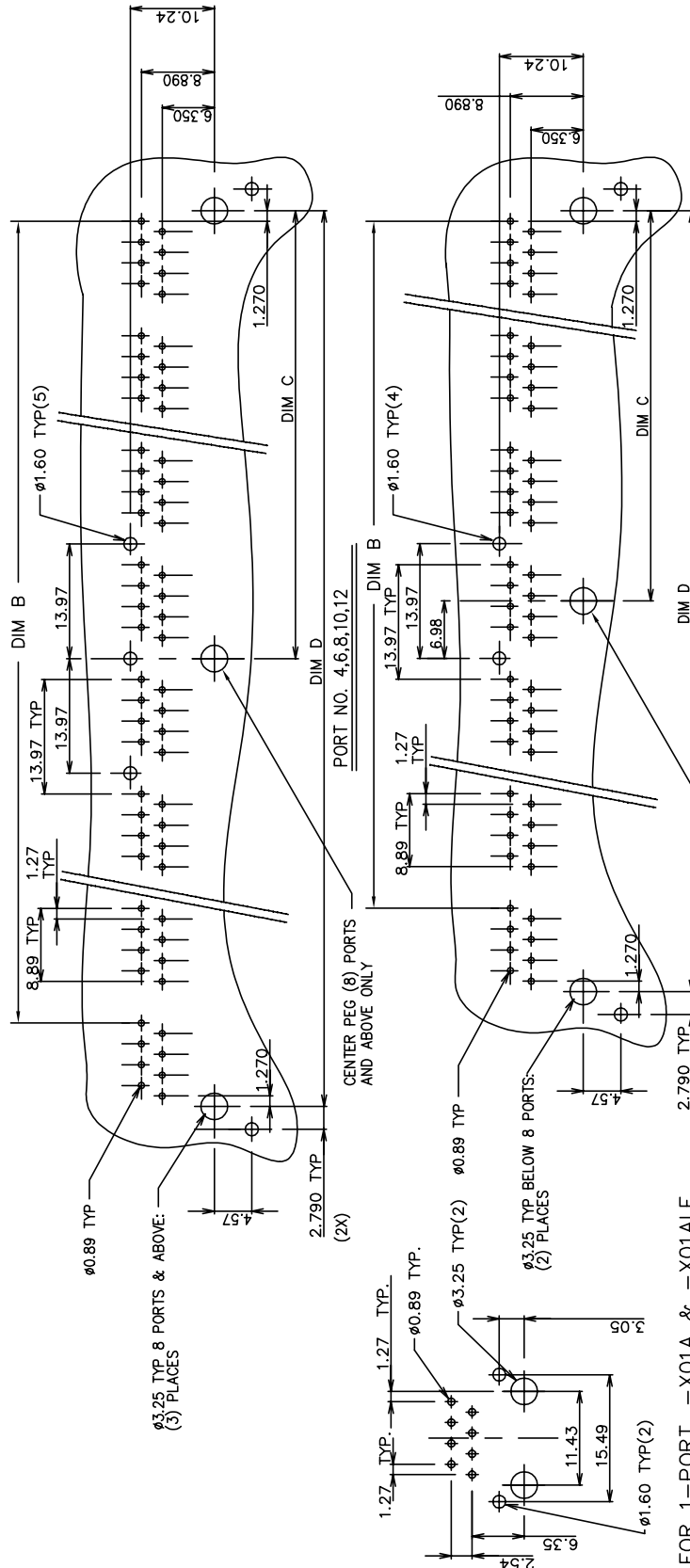
PCB LAYOUT SHEET 6

PCB LAYOUT SHEET 7

mat'l. code	surface	tolerance	projection	product family
ISO 1301	ISO 1301	ISO 406	ISO 1101	MOD JACK
trlec naddr date	tolerances unless otherwisespecified	angles	MM	
R		0±0.3		
		0±0.13		
		0±0.051	scale 1.0	
	dr L.POTTIEGER	8/30/95		
	eng Y.BELOPOLSKY	8/30/95		
	chr Y.BELOPOLSKY	8/30/95		
	app dr.BELOPOLSKY	8/30/95		
sheet revision			awg no	sheet3of7 size
index				8 POS SHIELDED SNAP PEG
				95678 A4
				type Product Customer Drawing

A

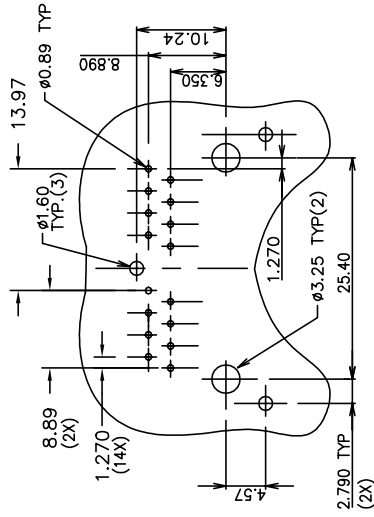
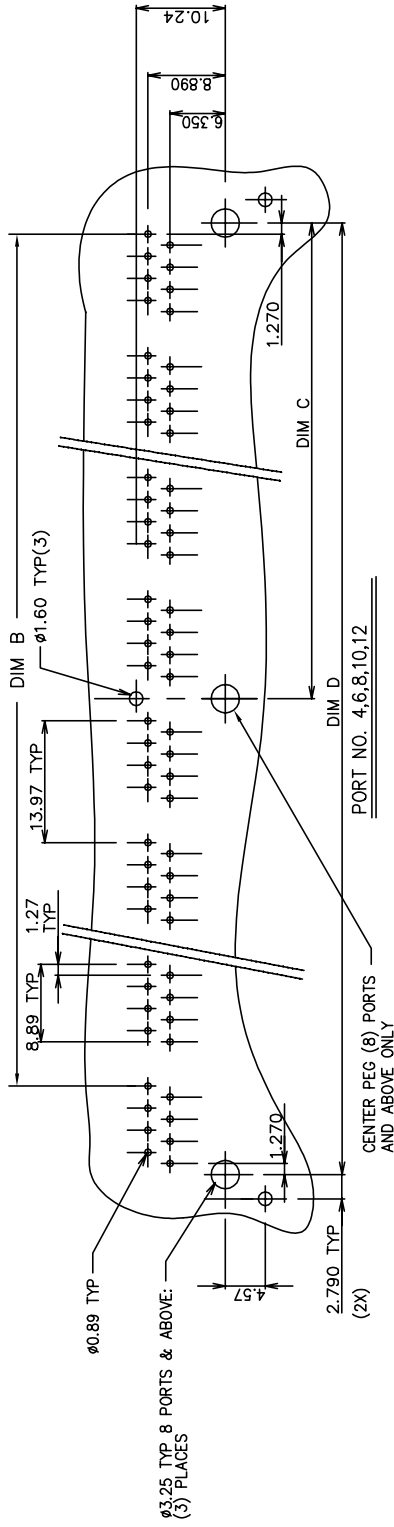
B



PORT NO. 3,5,7,9,11

**RECOMMENDED P.C.B LAYOUT**  
 CODE "Z" = 0 (STANDARD GROUND LEGS)

mat'l. code	surface	tolerance	projection	product family
ISO 1301	ISO 406	ISO 1101	MOD JACK	MOD JACK
tr/ecn naddr date	tolerances unless otherwise specified			
R	angle	0-xx±0.3	MM	
	0±2'	0-xx±0.13	scale	1.0
	dr	L.POTTIEGER	8/30/95	R/A CAT5 GANG JACK ASSY
	eng	Y.BELOPOLSKY	8/30/95	8 POS SHIELDED SNAP PEG
	chr	Y.BELOPOLSKY	8/30/95	awg no
	app	Y.BELOPOLSKY	8/30/95	sheet of 7
sheet index	revision			type
				Product Customer Drawing
				95678
				A4



2-PORT

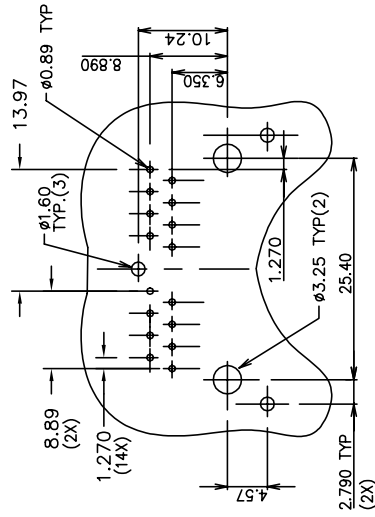
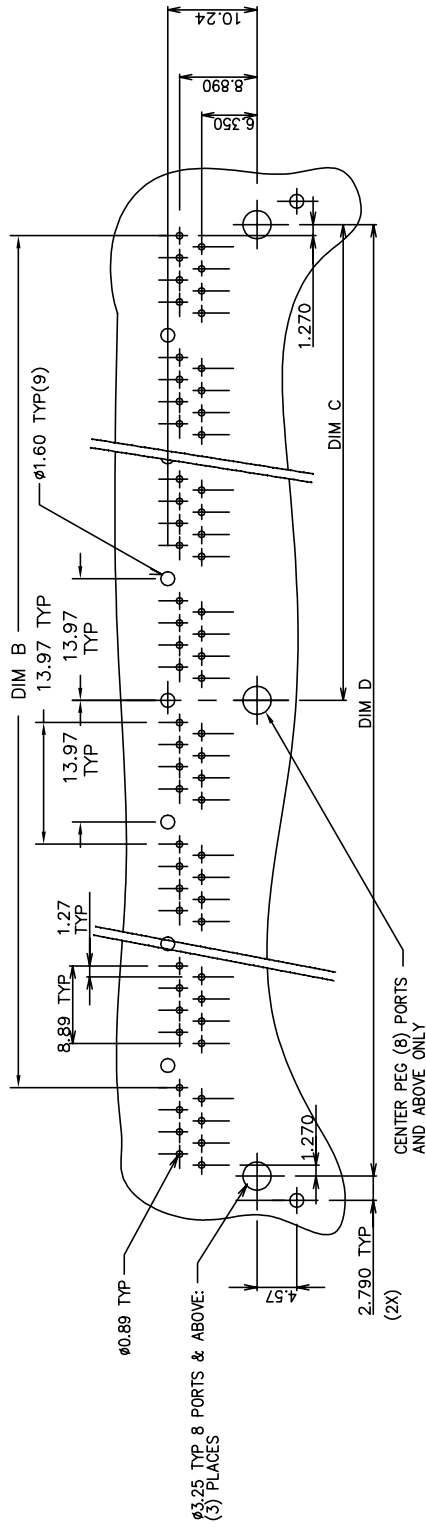
### RECOMMENDED P.C.B LAYOUT

CODE "Z" = 1 (1 GROUND LEG)

mat'l. code	surface	tolerance	projection	product family
ISO 1301	ISO 1301	ISO 406 IS11101	MOD JACK	MOD JACK
trlec naddr	date	tolerances unless otherwise specified	title	
R		0.xx±0.3	MM	
	angle	0.xx±0.13		
	0°±2'	0.xxx±0.051	scale 1.0	
	dr	L.POTTIEGER	8/30/95	R/A CAT5 GANG JACK ASSY
	eng	Y.BELOPOLSKY	8/30/95	8 POS SHIELDED SNAP PEG
	chr	Y.BELOPOLSKY	8/30/95	awg no sheet 5 of 7 size
	app	Y.BELOPOLSKY	8/30/95	type Product Customer Drawing
sheet index	revision			
	Sheet			

A

B

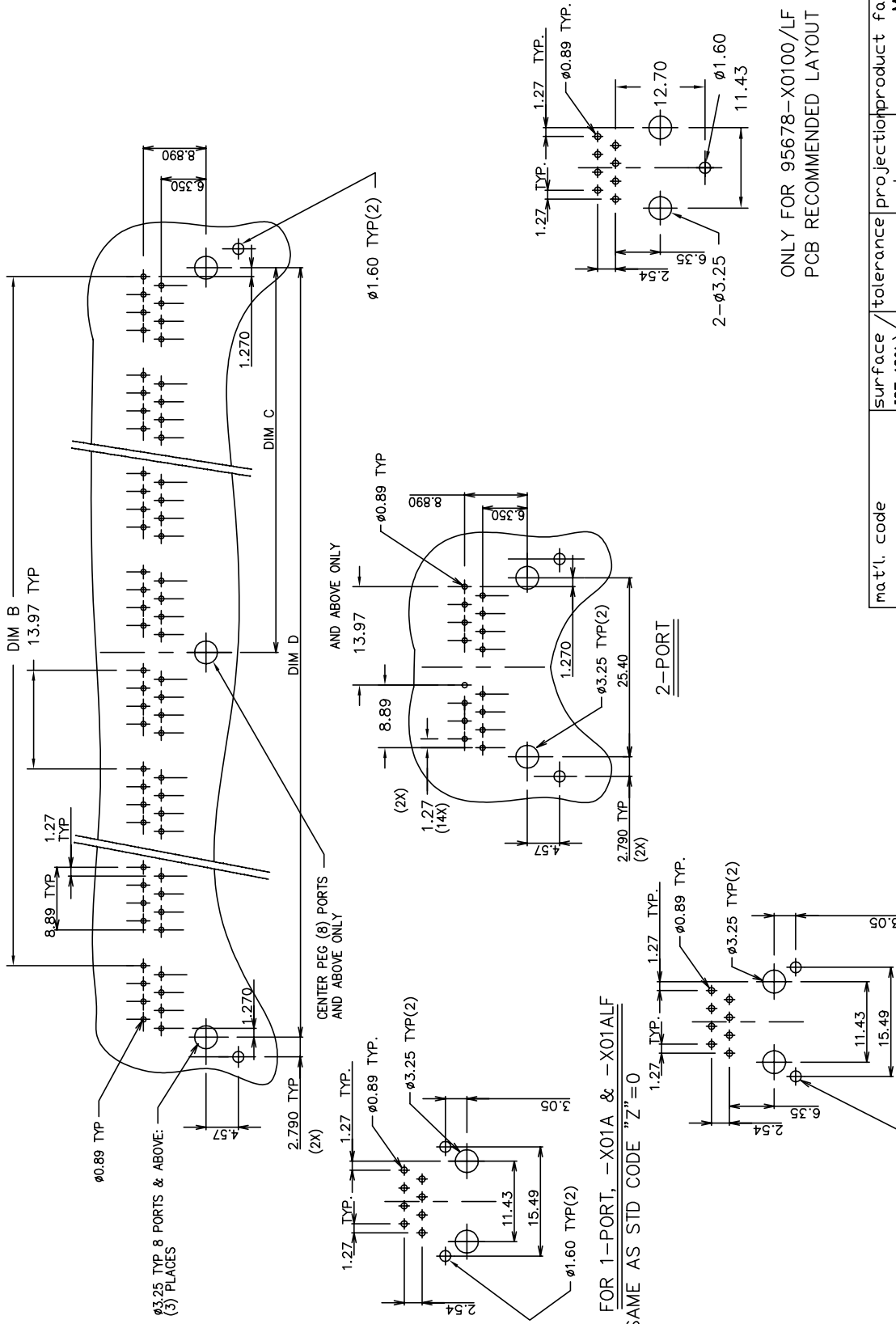


**RECOMMENDED P.C.B LAYOUT**

CODE "Z" = 2 (ALL GROUND LEGS)

(SAME AS STANDARD CODE "Z"=0)

mat'l. code	surface	tolerance	projection	product family
ISO 1301	ISO 1301	ISO 406	ISO 1101	MOD JACK
tr/ecn n/odr	date	tolerances unless otherwise specified	title	
R		0.xx±0.3	MM	
	angle	0.xx±0.13	scale 1.0	
	0°±2'	0.xxx±0.051		
	dr	L.POTTIEGER	8/30/95	R/A CAT5 GANG JACK ASSY
	eng	Y.BELOPOLSKY	8/30/95	8 POS SHIELDED SNAP PEG
	chr	Y.BELOPOLSKY	8/30/95	awg no sheet of 7 size
	app	Y.BELOPOLSKY	8/30/95	A4
sheet index	revision			type Product Customer Drawing
				95678



FOR 1-PORT, -X01A & -X01ALF  
 SAME AS STD CODE "Z"=0

**RECOMMENDED P.C.B LAYOUT**  
 CODE "Z" = 3 (NO GROUND LEGS)

mat'l. code	surface	tolerance	projection	product family
ISO 1301	ISO 1301	ISO 406	ISO 1101	MOD JACK
tr/ecn naddr date	tolerances unless otherwise specified			
R	angle	0.xx±0.3	MM	
	0°±2'	0.xx±0.13	scale 1.0	
	dr	L.POTTIEGER	8/30/95	awg no
	eng	Y.BELOPOLSKY	8/30/95	R/A CAT5 GANG JACK ASSY
	chr	Y.BELOPOLSKY	8/30/95	8 POS SHIELDED SNAP PEG
	app	Y.BELOPOLSKY	8/30/95	sheet 7 of 7 size
sheet index	revision			type
				Product Customer Drawing
				95678
				A4