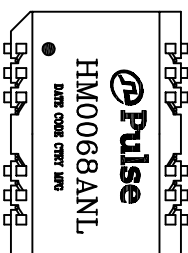


NOTES:

1. ROHS COMPLIANT
2. HEADER: DAP (DIALYL PHTHALATE) WITH FLAMMABILITY RATING UL 94V-0 OR BETTER.
3. STORAGE TEMPERATURE: -50°C TO +125°C
4. COMPLIANCE TO J-STD:
 - A. J-STD-002: SOLDERABILITY AT 245°C REFLOW PROFILE
 - B. J-STD-020: LEVEL 1, NO MOISTURE SENSITIVE
 - C. J-STD-075: R7, 245°C MAXIMUM THROUGH REFLOW SOLDER
5. TO ORDER TAPE & REEL PACKAGING ADD A "T" SUFFIX TO THE PART NUMBER(i.e HXXXXXXXXNL BECOMES HXXXXXXXXNLT).
6. MEETS AEC-Q200 REQUIREMENTS



FINAL OUTLINE

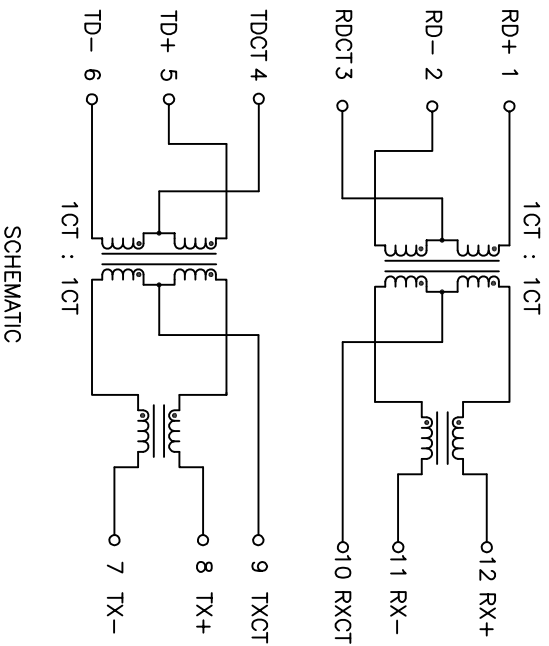
© Copyright, 2016. Pulse Electronics Corp. All rights reserved. Pulse confidential & proprietary. (09/05/16)

PRODUCT DESCRIPTION	TLA DRAWING	PS DRAWING	SHEET	PART NO.	DATASHEET REV.
MDL,SIN,100D,1:1,SM,TU	HMO068ANL-10	PS-2288.001-A	1 OF 3	HMO068ANL	E

ELECTRICAL CHARACTERISTICS AT +25°C UNLESS OTHER SPECIFIED
 MEETS IEEE 802.3 SPECIFICATION

PARAMETER	SPECIFICATIONS
OPERATING TEMPERATURE	-40°C TO +105°C
TURNS RATIO	1 : 1 ±2%
POLARITY	PER SCHEMATIC
INSERTION LOSS	100 KHz 1-125 MHz
	-1.2 DB MAX -0.2-0.002*f ^{1.4} DB MAX
RETURN LOSS (Z OUT = 100 OHM ±15%)	.1-40 MHz 40-100 MHz
	-16 DB MIN -10+20*LOG ₁₀ (f/80 MHz) DB MIN
INDUCTANCE (OCL) (MEDIA SIDE)	350 UH MIN (MEASURED AT 100 KHz, 100 mV _{RMS}) (AND WITH 8 mA DC BIAS)
	1 MHz 10-100 MHz
CROSSTALK, ADJACENT CHANNELS	-50 DB MIN -55+22*LOG ₁₀ (f/10) DB MIN
	2 MHz 30-200 MHz
COMMON MODE REJECTION RATIO	-42 DB MIN -15+20*LOG ₁₀ (f/200) DB MIN
DC RESISTANCE, 1/2 WINDING	.65 OHMS MAX
DC RESISTANCE IMBALANCE	±.065 OHMS MAX (CENTER TAP SYMMETRY)
INPUT - OUTPUT ISOLATION	1500 VRMS MIN @ 60 SECONDS

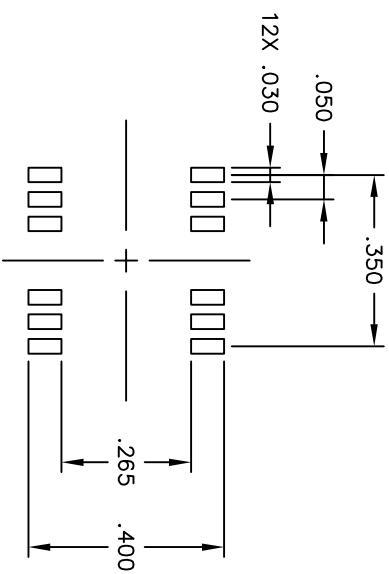
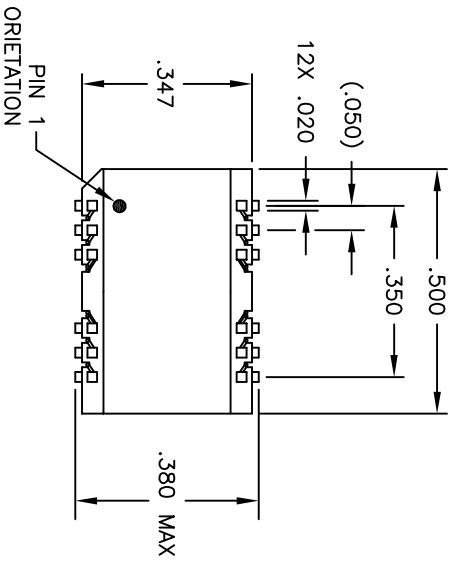
NOTE: f IS FREQUENCY IN MHZ.



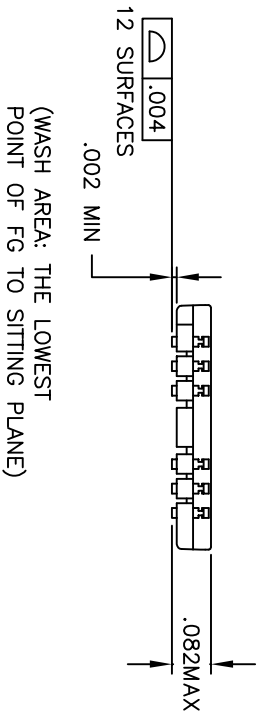
SCHEMATIC

© Copyright, 2016. Pulse Electronics Corp. All rights reserved. Pulse confidential & proprietary. (09/05/16)

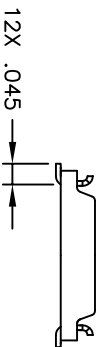
PRODUCT DESCRIPTION	TLA DRAWING	PS DRAWING	SHEET	PART NO.	DATASHEET REV.
MDL,SIN,100D,1:1,SM,TU	HM0068ANL-10	PS-2288,001-A	2 OF 3	HM0068ANL	E



SUGGESTED LAND PATTERN



(WASH AREA: THE LOWEST POINT OF FG TO SITTING PLANE)



DIMENSIONS ARE IN INCHES WITH THE FOLLOWING TOLERANCES:
.XX = ±.01
.XXX = ±.005

© Copyright, 2016. Pulse Electronics Corp. All rights reserved. Pulse confidential & proprietary. (09/05/16)

PRODUCT DESCRIPTION	TLA DRAWING	PS DRAWING	SHEET	PART NO.	DATASHEET REV.
MDL,SIN,100D,1:1,SM,TU	HM0068ANL-10	PS-2288.001-A	3 OF 3	HM0068ANL	E