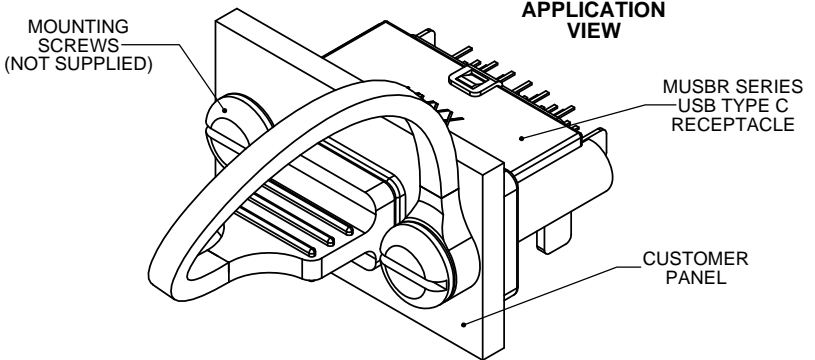
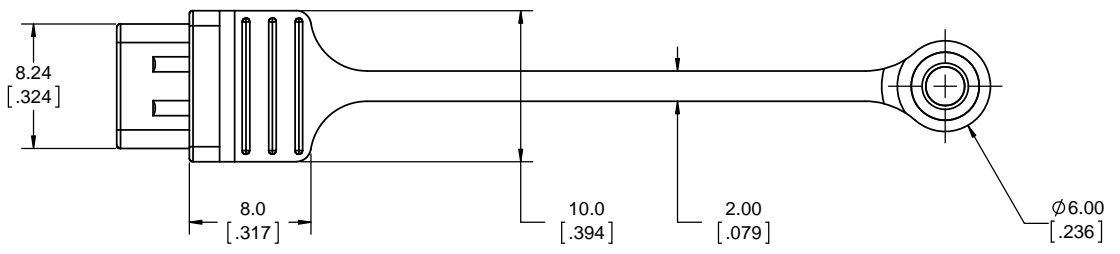
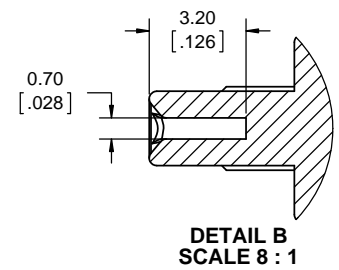
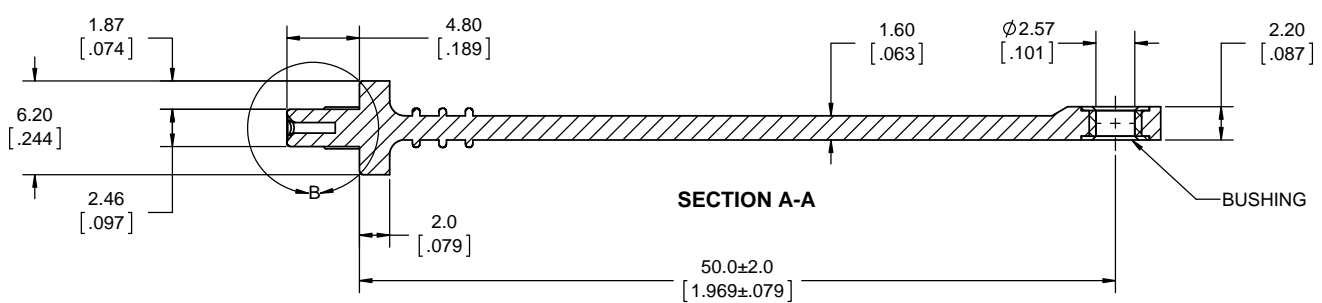
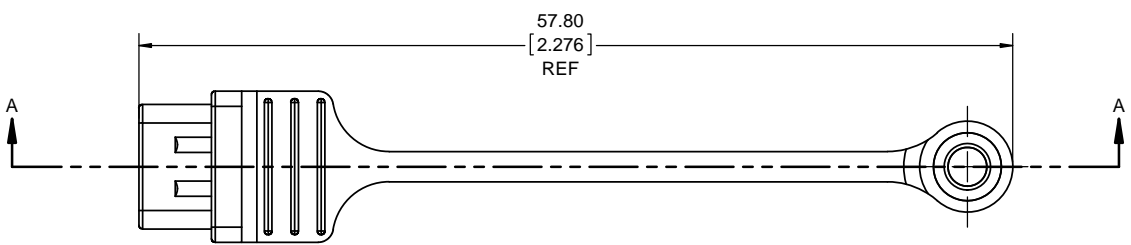


REVISIONS			
REV	DESCRIPTION, ECN, EAR NO.	DATE	APP'D
A	PROPOSAL DRAWING (EAR 14368)	MAY19/15	K.L.



PART NUMBER	COLOUR
MUSBR-2M5C-004BP	GREY
MUSBR-2M5C-014BP	BLACK

- NOTES:**
- MATERIAL:
 - DUST COVER: SILICONE RUBBER, SEE TABLE 1 FOR COLOUR.
 - BUSHING: BRASS, NICKEL PLATED.
 - OPERATING TEMPERATURE: -40°C TO +105°C.
 - PART IS RoHS COMPLIANT PER EU DIRECTIVE 2011/65/EU AND AMENDMENTS.



UNLESS SPECIFIED OTHERWISE	DRAWN	M. PAHULJE	MAY05/15
PRIMARY UNITS MILLIMETERS	CHECKED		
SECONDARY UNITS INCHES	M.E. APP'D		
REFERENCE IN PARENTHESES	Q.A. APP'D		
GENERAL TOLERANCES	DWG APPR.	K. LAMBIE	MAY19/15
1 DECIMAL PLACE ±0.3	ENG. REL. NO.		
2 DECIMAL PLACES ±0.15	REF.	EAR 14368	
3 DECIMAL PLACES	THIRD ANGLE PROJECTION		
ANGULAR DEGREES	DO NOT SCALE DRAWING		

Amphenol Canada Corp.
www.amphenolcanada.com
MUSBR SERIES
DUST COVER,
FOR USB TYPE C RECEPTACLE,
RoHS COMPLIANT

DWG. NO. **P-MUSBR-2M5C-0X4BP** REV **A**

CODE ID NO. 03554 DWG SIZE: X SCALE: 4:1 SHEET 1 OF 1

THIS DOCUMENT CONTAINS PROPRIETARY INFORMATION AND SUCH INFORMATION MAY NOT BE DISCLOSED TO OTHERS FOR ANY PURPOSE OR USED FOR MANUFACTURING PURPOSES WITHOUT WRITTEN PERMISSION FROM AMPHENOL CANADA CORP.