

# 6210-VO Electronic Foot Potentiometer

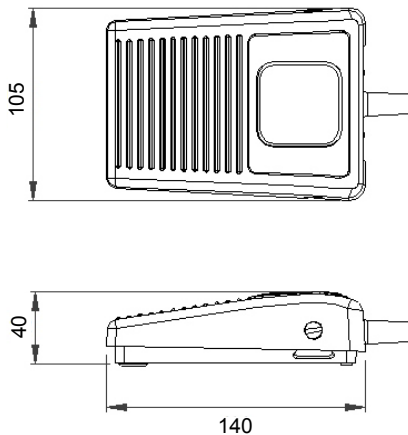
# herga

Technology Ltd

- Provides a variable voltage output proportional to the position of the pedal
- Utilising a solid state optical sensor with no moving parts or tracks which can wear out
- Ideal for repetitive use with office equipment, domestic/medical appliances and general industrial applications
- Low cost
- Customer colours and logos available on request



## Outline dimensions



## General specifications

Standards/approvals	Footswitch: low voltage directive 2006/95/EC, EN 60950
Degree of protection	EN 60529 IPX2
Connection method	3-core cable (2m long) with stripped cable cores or connector of your choice
Electrical rating	4.5V to 12V at 10mA
Output voltage range	6% minimum to 95% maximum of input voltage
Output current/type	100µA / Transistor Sink/Source

Operating temperature range	0°C to +40°C
Body material	Thermoplastic
Weight	0.35 kg
Average life expectancy	> 1 000 000 operations

## 6210-VO Recommended application circuit

