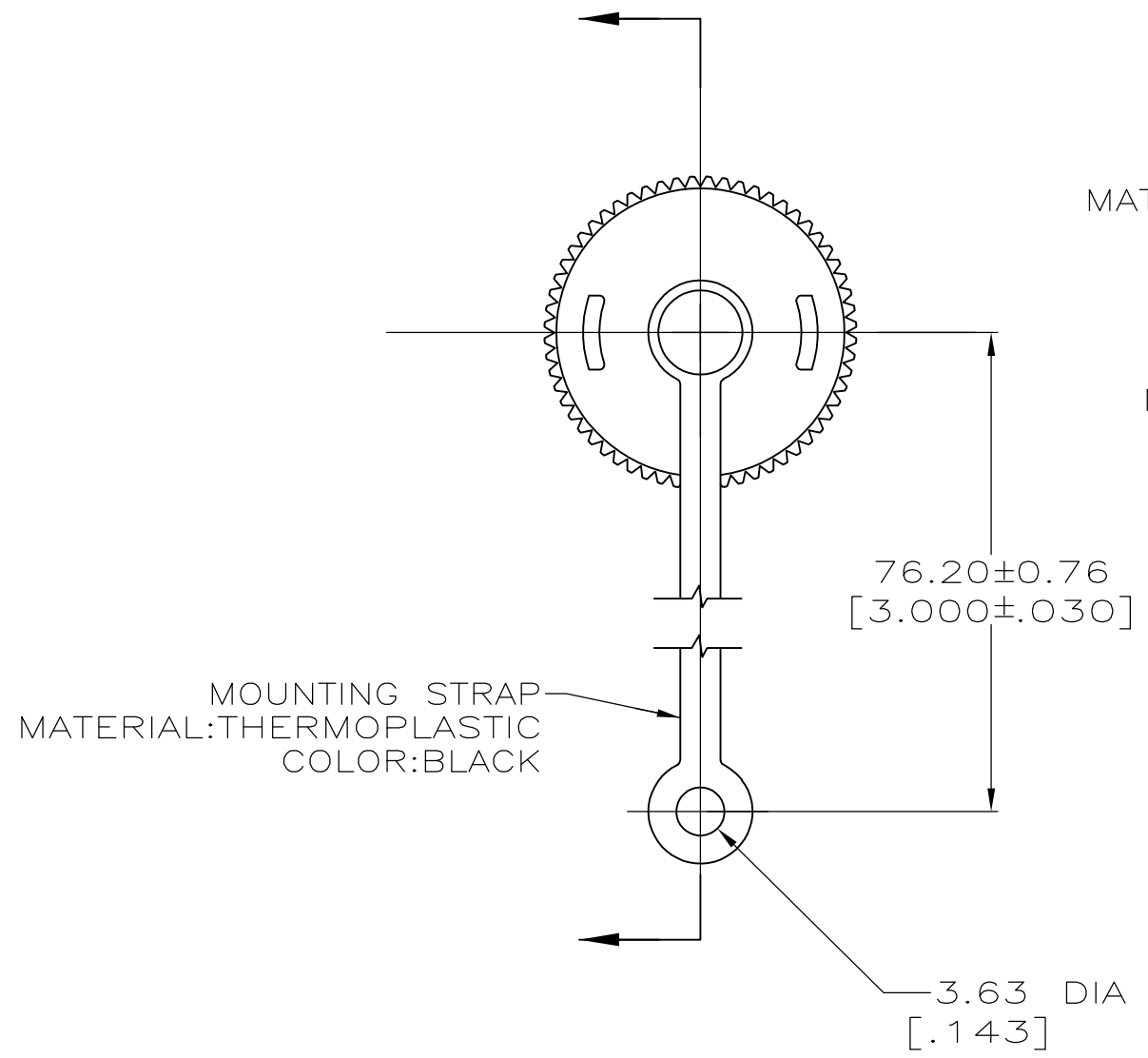


LOC	DIST	REVISIONS					
BD	35	P	LTR	DESCRIPTION	DATE	DWN	APVD
			C2	REVISED PER ECO-10-012277	14JUN10	HMR	MG

- △1 FINISH: ZINC PLATE WITH CLEAR CHROMATE
- △2 FINISH: ZINC PLATE WITH NON-HEXAVALENT CHROMATE

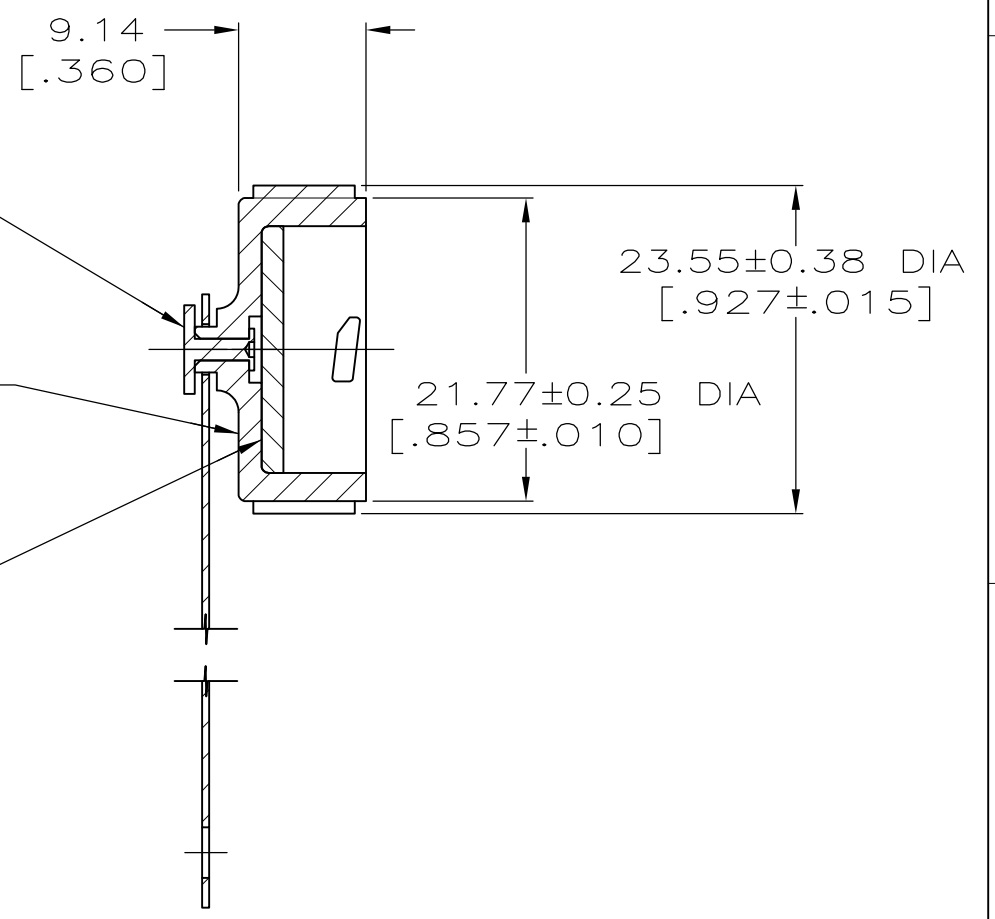


MATERIAL: CARBON STEEL
 △1 △2

RIVET

SEALING CAP
 MATERIAL: THERMOPLASTIC
 COLOR: BLACK

SEALING GASKET
 MATERIAL: NEOPRENE RUBBER



SUPERCEDED BY 206903-2	△2	206903-2
	△1	206903-1
	FINISH	PART NUMBER

THIS DRAWING IS A CONTROLLED DOCUMENT.		DWN D.BROCKWAY 6-9-93	Tyco Electronics Corporation Harrisburg, PA 17105-3608													
DIMENSIONS: mm [INCHES]		CHK R.STONE 7-1-93	NAME													
TOLERANCES UNLESS OTHERWISE SPECIFIED:		APVD AL FRANTUM 7-1-93	SEALING CAP ASSY, SIZE 11, CPC													
<table border="0"> <tr><td>0 PLC</td><td>± -</td></tr> <tr><td>1 PLC</td><td>± -</td></tr> <tr><td>2 PLC</td><td>± 0.13 [.005]</td></tr> <tr><td>3 PLC</td><td>± -</td></tr> <tr><td>4 PLC</td><td>± -</td></tr> <tr><td>ANGLES</td><td>± -</td></tr> </table>		0 PLC	± -	1 PLC	± -	2 PLC	± 0.13 [.005]	3 PLC	± -	4 PLC	± -	ANGLES	± -	PRODUCT SPEC	RESTRICTED TO	
0 PLC	± -															
1 PLC	± -															
2 PLC	± 0.13 [.005]															
3 PLC	± -															
4 PLC	± -															
ANGLES	± -															
MATERIAL SEE CALLOUTS		FINISH SEE CALLOUTS	WEIGHT -	SIZE A3												
			CAGE CODE 00779	DRAWING NO C-206903												
		CUSTOMER DRAWING		SCALE 2:1												
		SHEET 1 OF 1		REV C2												