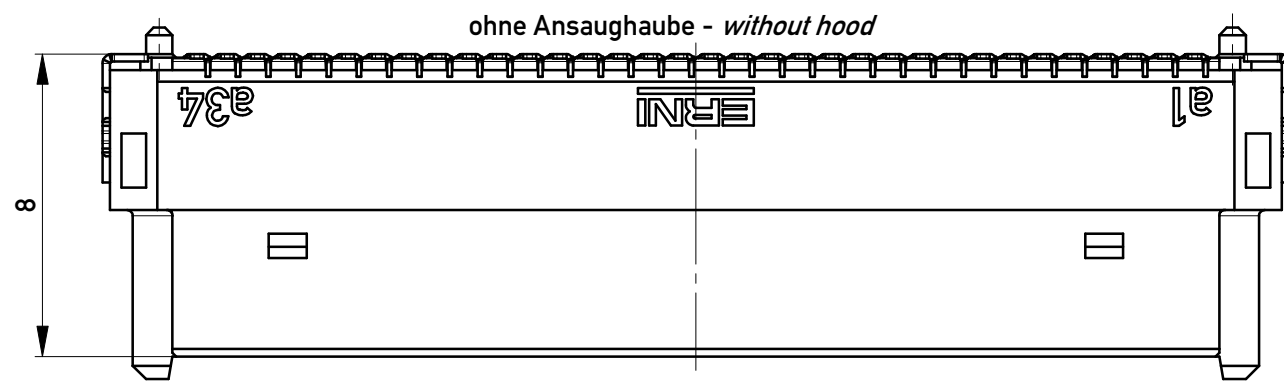
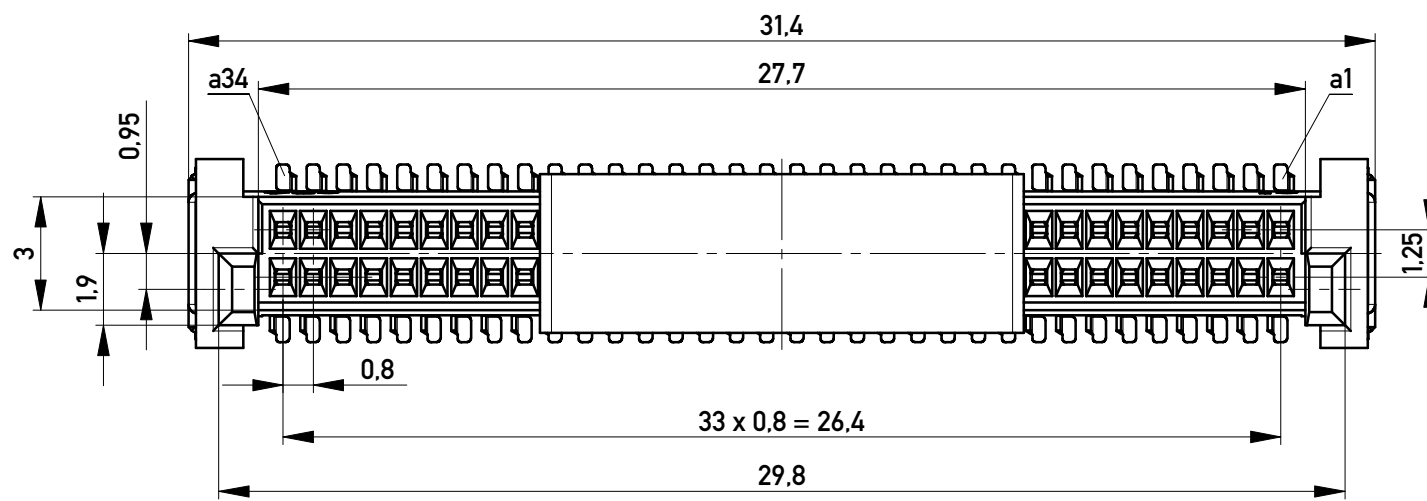
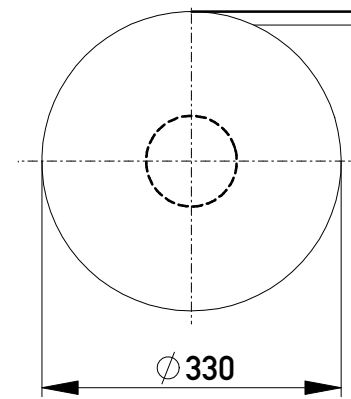


Verpackt im Gurt in Anlehnung an DIN IEC 60286-3  
 Tape on Reel Packaging according to DIN IEC 60286-3  
 Verpackungseinheit: 420 Stück  
 Packaging unit: 420 pcs



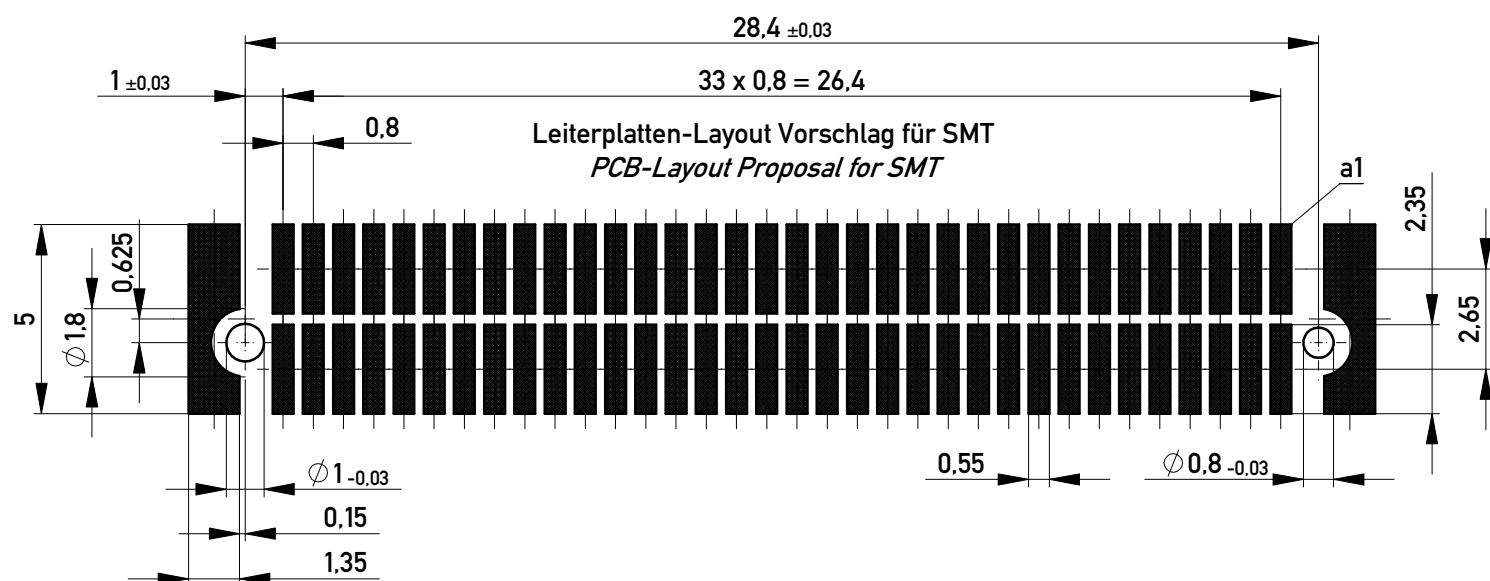
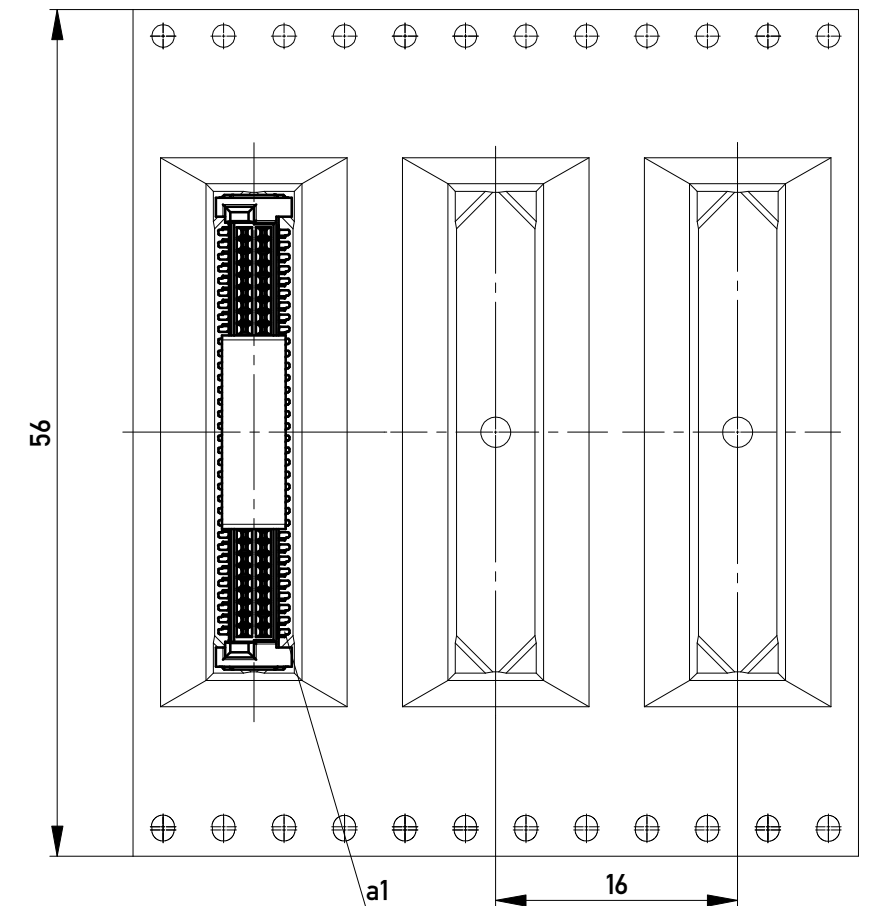
Anforderungsstufe 1  
 Performance Level 1

Kontaktbereich vergoldet  
 Mating Area gold plating

Anschlussbereich verzinkt 4-6 µm  
 Terminal Area 4-6 µm tin plating

Koplanarität der Anschlüsse ≤ 0,1 mm  
 Coplanarity Area of Termination ≤ 0,1 mm

Abspulrichtung - Reel off Direction



Copyright by ERNI Production GmbH & Co. KG  
 Proprietary notice pursuant to ISO 16016 to be observed.

|  |            |  |             |     |
|--|------------|--|-------------|-----|
| Information:   |            | Tolerances   | Scale       | 5:1 |
| All rights reserved.<br>Only for Information.<br>To ensure that this is the latest version of this drawing, please contact one of the ERNI companies before using. |            | All Dimensions in mm                                   | Designation |     |
| Subject to modification without prior notice.<br>Drawing will not be updated.  |            | 0,8 DRC-B, F 8mm, 68 polig<br>0,8 DRC-B, F 8mm, 68 pin |             |     |
| www.ERNI.com   |            | 294031   |             | I   |
| b  | 23.06.2016 | Class  |             | A3  |
| Index  | Date       | DRCB   |             |     |

# Mouser Electronics

Authorized Distributor

Click to View Pricing, Inventory, Delivery & Lifecycle Information:

[TE Connectivity:](#)

[294031](#) [294031-E](#)