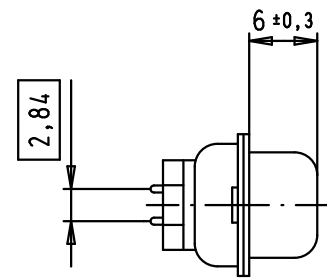
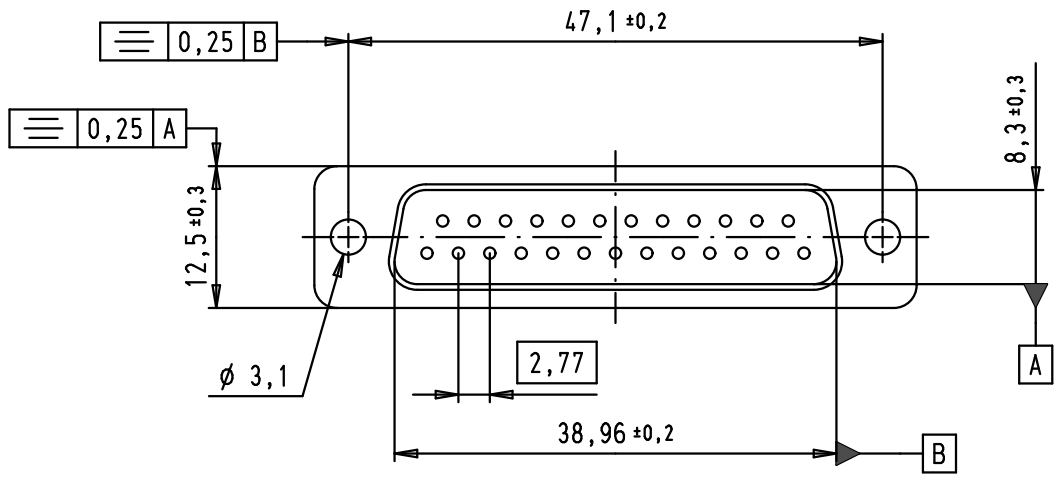


D

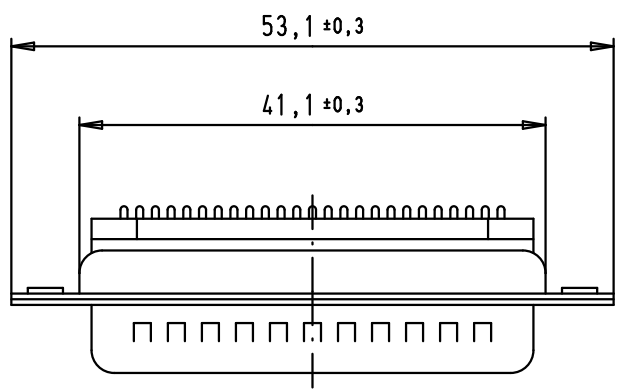


C

SPECIFICATIONS

FREQUENCY (MHz)	ATTENUATION (dB)
5	0,5
10	1
50	2,5
100	3
500	3,5
1000	4



B



Operating voltage < 250 V AC
 Working current < 7,5 A
 Insulation resistance > 1GΩ
 Contact resistance < 15 mΩ
 Dielectric withstanding voltage 500 V AC / minute

Solder bucket termination inner diameter: 1,20 mm

A

				Dot.	Name	 All Dim. in mm Orig. Size DIN A 4
				Detail.	11/06/09 PK	
				Insp.		
				Stand.		
EC00332	11/06/09	PK	HARTING EURL F-95972 Paris			
Mod.	Dot.	Name				

D-Sub, male, straight, 25 poles, tin plated shell with dimples, solder buckets, ferrite filter	Maßstab/ Scale 1,5:1
TB 09 64 321 7800	Blatt/ Page 1 / 1
Sub.	

09 64 321 7800	Au Flash
Part number	Performance level