



# STB12NK80Z, STF12NK80Z, STP12NK80Z, STW12NK80Z

N-channel 800 V, 0.65Ω typ., 10.5 A Zener-protected SuperMESH™  
Power MOSFET in D<sup>2</sup>PAK, TO-220FP, TO-220 and TO-247

Datasheet — production data

## Features

| Type       | V <sub>DSS</sub><br>(@T <sub>jmax</sub> ) | R <sub>DS(on)</sub> | I <sub>D</sub> | P <sub>W</sub> |
|------------|-------------------------------------------|---------------------|----------------|----------------|
| STB12NK80Z | 800V                                      | <0.75Ω              | 10.5 A         | 190W           |
| STF12NK80Z | 800V                                      | <0.75Ω              | 10.5 A         | 40W            |
| STP12NK80Z | 800V                                      | <0.75Ω              | 10.5 A         | 190W           |
| STW12NK80Z | 800V                                      | <0.75Ω              | 10.5 A         | 190W           |

- Extremely high dv/dt capability
- Improved esd capability
- 100% avalanche tested
- Gate charge minimized
- Very low intrinsic capacitances
- Very good manufacturing reliability

## Applications

- Switching applications

## Description

These devices are N-channel Zener-protected Power MOSFETs developed using STMicroelectronics' SuperMESH™ technology, achieved through optimization of ST's well established strip-based PowerMESH™ layout. In addition to a significant reduction in on-resistance, this device is designed to ensure a high level of dv/dt capability for the most demanding applications.

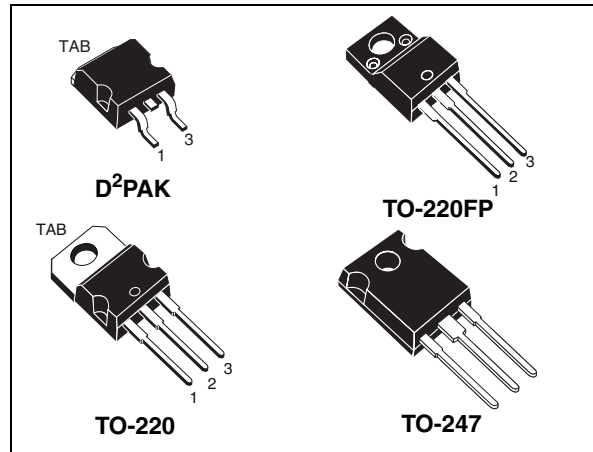


Figure 1. Internal schematic diagram

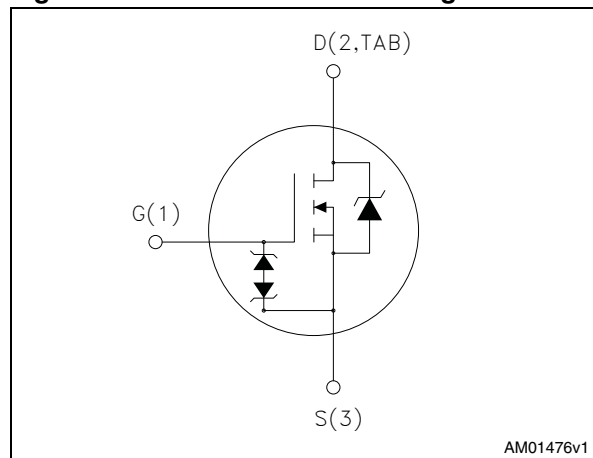


Table 1. Device summary

| Order codes | Marking | Package            | Packaging     |
|-------------|---------|--------------------|---------------|
| STB12NK80Z  | 12NK80Z | D <sup>2</sup> PAK | Tape and reel |
| STF12NK80Z  | 12NK80Z | TO-220FP           | Tube          |
| STP12NK80Z  | 12NK80Z | TO-220             | Tube          |
| STW12NK80Z  | 12NK80Z | TO-247             | Tube          |

## Contents

|          |                                               |           |
|----------|-----------------------------------------------|-----------|
| <b>1</b> | <b>Electrical ratings</b> .....               | <b>3</b>  |
| <b>2</b> | <b>Electrical characteristics</b> .....       | <b>5</b>  |
|          | 2.1 Electrical characteristics (curves) ..... | 7         |
| <b>3</b> | <b>Test circuits</b> .....                    | <b>10</b> |
| <b>4</b> | <b>Package mechanical data</b> .....          | <b>11</b> |
| <b>5</b> | <b>Packaging mechanical data</b> .....        | <b>19</b> |
| <b>6</b> | <b>Revision history</b> .....                 | <b>21</b> |

# 1 Electrical ratings

**Table 2. Absolute maximum ratings**

| Symbol                             | Parameter                                             | Value                                  |                     | Unit |
|------------------------------------|-------------------------------------------------------|----------------------------------------|---------------------|------|
|                                    |                                                       | D <sup>2</sup> PAK<br>TO-220<br>TO-247 | TO-220FP            |      |
| V <sub>DS</sub>                    | Drain-source voltage (V <sub>GS</sub> = 0)            | 800                                    |                     | V    |
| V <sub>DGR</sub>                   | Drain-gate voltage (R <sub>GS</sub> = 20KΩ)           | 800                                    |                     | V    |
| V <sub>GS</sub>                    | Gate-source voltage                                   | ± 30                                   |                     | V    |
| I <sub>D</sub>                     | Drain current (continuous) at T <sub>C</sub> = 25°C   | 10.5                                   | 10.5 <sup>(1)</sup> | A    |
| I <sub>D</sub>                     | Drain current (continuous) at T <sub>C</sub> =100°C   | 6.6                                    | 6.6 <sup>(1)</sup>  | A    |
| I <sub>DM</sub> <sup>(2)</sup>     | Drain current (pulsed)                                | 42                                     | 42 <sup>(1)</sup>   | A    |
| P <sub>TOT</sub>                   | Total dissipation at T <sub>C</sub> = 25°C            | 190                                    | 40                  | W    |
|                                    | Derating factor                                       | 1.52                                   | 0.32                | W/°C |
| Vesd(G-S)                          | G-S ESD (HBM C= 100pF, R= 1.5kΩ)                      | 4                                      |                     | kV   |
| V <sub>ISO</sub>                   | Insulation withstand voltage (DC)                     | --                                     | 2500                | V    |
| dv/dt <sup>(3)</sup>               | Peak diode recovery voltage slope                     | 4.5                                    |                     | V    |
| T <sub>J</sub><br>T <sub>stg</sub> | Operating junction temperature<br>Storage temperature | -55 to 150                             |                     | °C   |

- Limited by maximum junction temperature.
- Pulse width limited by safe operating area.
- I<sub>SD</sub> ≤ 10.5 A, di/dt ≤ 200A/μs, V<sub>DD</sub> ≤ V<sub>(BR)DSS</sub>, T<sub>j</sub> ≤ T<sub>JMAX</sub>

**Table 3. Thermal data**

| Symbol                | Parameter                               | Value                         |          |        | Unit |
|-----------------------|-----------------------------------------|-------------------------------|----------|--------|------|
|                       |                                         | TO-220/<br>D <sup>2</sup> PAK | TO-220FP | TO-247 |      |
| R <sub>thj-case</sub> | Thermal resistance junction-case max    | 0.66                          | 3.1      | 0.66   | °C/W |
| R <sub>thj-a</sub>    | Thermal resistance junction-ambient max | 62.5                          |          | 50     | °C/W |

**Table 4. Avalanche characteristics**

| Symbol   | Parameter                                                                          | Value | Unit |
|----------|------------------------------------------------------------------------------------|-------|------|
| $I_{AS}$ | Avalanche current, repetitive or not-repetitive<br>(pulse width limited by Tj Max) | 10.5  | A    |
| $E_{AS}$ | Single pulse avalanche energy<br>(starting Tj=25°C, Id=Iar, Vdd=50V)               | 400   | mJ   |

## 2 Electrical characteristics

( $T_{CASE}=25^{\circ}C$  unless otherwise specified).

**Table 5. On/off states**

| Symbol        | Parameter                                  | Test conditions                                         | Min. | Typ. | Max.     | Unit               |
|---------------|--------------------------------------------|---------------------------------------------------------|------|------|----------|--------------------|
| $V_{(BR)DSS}$ | Drain-source breakdown voltage             | $I_D = 1mA, V_{GS} = 0$                                 | 800  |      |          | V                  |
| $I_{DSS}$     | Peak diode recovery voltage slope          | $V_{DS} = 800V,$<br>$V_{DS} = 800V, T_C = 125^{\circ}C$ |      |      | 1<br>50  | $\mu A$<br>$\mu A$ |
| $I_{GSS}$     | Gate body leakage current ( $V_{GS} = 0$ ) | $V_{GS} = \pm 20V$                                      |      |      | $\pm 10$ | $\mu A$            |
| $V_{GS(th)}$  | Gate threshold voltage                     | $V_{DS} = V_{GS}, I_D = 100\mu A$                       | 3    | 3.75 | 4.5      | V                  |
| $R_{DS(on)}$  | Static drain-source on-resistance          | $V_{GS} = 10V, I_D = 5.25A$                             |      | 0.65 | 0.75     | $\Omega$           |

**Table 6. Dynamic**

| Symbol                                        | Parameter                                                               | Test conditions                                                                                      | Min. | Typ.                 | Max. | Unit                 |
|-----------------------------------------------|-------------------------------------------------------------------------|------------------------------------------------------------------------------------------------------|------|----------------------|------|----------------------|
| $g_{fs}^{(1)}$                                | Forward transconductance                                                | $V_{DS} = 15V, I_D = 5.25A$                                                                          | -    | 12                   | -    | S                    |
| $C_{iss}$<br>$C_{oss}$<br>$C_{rss}$           | Input capacitance<br>Output capacitance<br>Reverse transfer capacitance | $V_{DS} = 25V, f = 1MHz, V_{GS} = 0$                                                                 | -    | 2620<br>250<br>53    | -    | pF<br>pF<br>pF       |
| $C_{osseq}^{(2)}$                             | Equivalent output capacitance                                           | $V_{GS} = 0, V_{DS} = 0V \text{ to } 640V$                                                           | -    | 100                  | -    | pF                   |
| $Q_g$<br>$Q_{gs}$<br>$Q_{gd}$                 | Total gate charge<br>Gate-source charge<br>Gate-drain charge            | $V_{DD} = 640V, I_D = 10.5A$<br>$V_{GS} = 10V$<br>(see <a href="#">Figure 21</a> )                   | -    | 87<br>14<br>44       | -    | nC<br>nC<br>nC       |
| $t_{d(on)}$<br>$t_r$<br>$t_{d(off)}$<br>$t_f$ | Turn-on delay time<br>Rise time<br>Off-voltage rise time<br>Fall time   | $V_{DD} = 400V, I_D = 5.25A,$<br>$R_G = 4.7\Omega, V_{GS} = 10V$<br>(see <a href="#">Figure 22</a> ) | -    | 30<br>18<br>70<br>20 | -    | ns<br>ns<br>ns<br>ns |
| $t_{r(Voff)}$<br>$t_f$<br>$t_c$               | Off voltage rise time<br>Fall time<br>Cross-over time                   | $V_{DD} = 640V, I_D = 10.5A,$<br>$R_G = 4.7\Omega, V_{GS} = 10V$<br>(see <a href="#">Figure 22</a> ) | -    | 16<br>15<br>28       | -    | ns<br>ns<br>ns       |

1. Pulsed: pulse duration=300 $\mu s$ , duty cycle 1.5%

2.  $C_{osseq}$  is defined as a constant equivalent capacitance giving the same charging time as  $C_{oss}$  when  $V_{DS}$  increases from 0 to 80%  $V_{DSS}$

**Table 7. Source drain diode**

| Symbol          | Parameter                     | Test conditions                                                            | Min. | Typ. | Max. | Unit    |
|-----------------|-------------------------------|----------------------------------------------------------------------------|------|------|------|---------|
| $I_{SD}$        | Source-drain current          |                                                                            | -    |      | 10.5 | A       |
| $I_{SDM}^{(1)}$ | Source-drain current (pulsed) |                                                                            | -    |      | 42   | A       |
| $V_{SD}^{(2)}$  | Forward on voltage            | $I_{SD}=10.5A, V_{GS}=0$                                                   | -    |      | 1.6  | V       |
| $t_{rr}$        | Reverse recovery time         | $I_{SD}=10.5A,$<br>$di/dt = 100A/\mu s,$<br>$V_{DD}=100V, T_j=150^\circ C$ | -    | 635  |      | ns      |
| $Q_{rr}$        | Reverse recovery charge       |                                                                            |      | 5.9  |      | $\mu C$ |
| $I_{RRM}$       | Reverse recovery current      |                                                                            |      | 18.5 |      | A       |

1. Pulse width limited by safe operating area.

2. Pulsed: pulse duration=300 $\mu s$ , duty cycle 1.5%

**Table 8. Gate-source zener diode**

| Symbol     | Parameter                     | Test conditions                  | Min | Typ. | Max. | Unit |
|------------|-------------------------------|----------------------------------|-----|------|------|------|
| $BV_{GSO}$ | Gate-Source breakdown voltage | $I_{gs}=\pm 1mA$<br>(Open drain) | 30  | -    | -    | V    |

The built-in back-to-back Zener diodes have specifically been designed to enhance not only the device's ESD capability, but also to make them safely absorb possible voltage transients that may occasionally be applied from gate to source. In this respect the Zener voltage is appropriate to achieve an efficient and cost-effective intervention to protect the device's integrity. These integrated Zener diodes thus avoid the usage of external components.

## 2.1 Electrical characteristics (curves)

Figure 2. Safe operating area for TO-220 and D<sup>2</sup>PAK

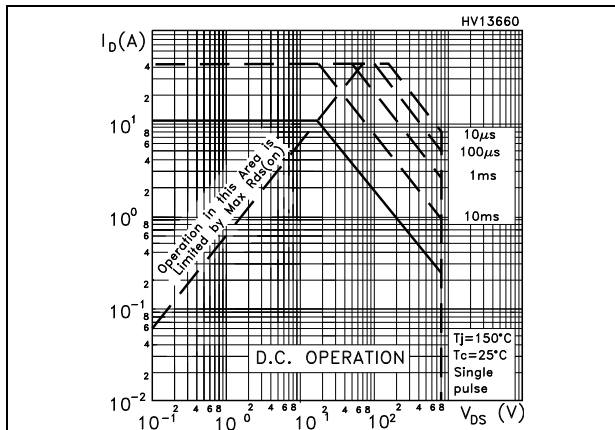


Figure 3. Thermal impedance for TO-220 and D<sup>2</sup>PAK

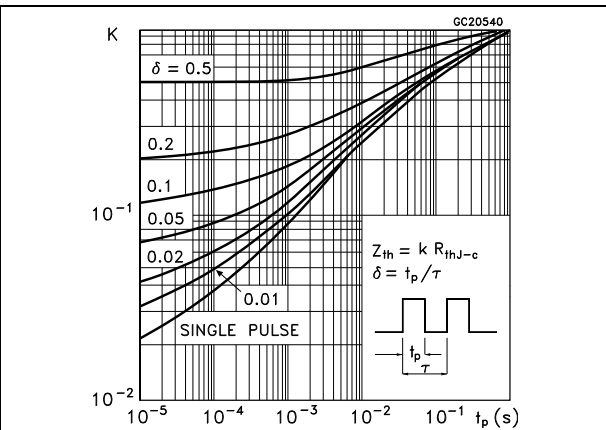


Figure 4. Safe operating area for TO-220FP

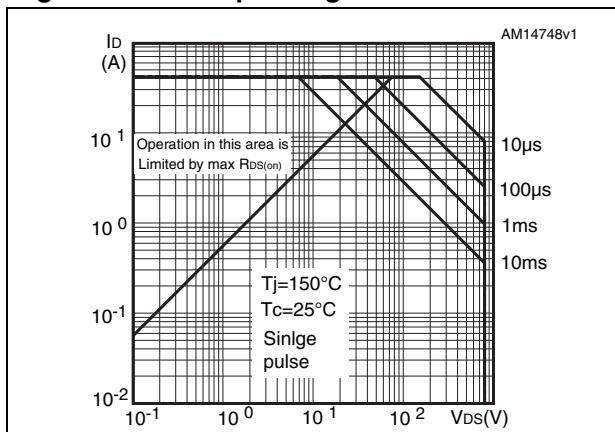


Figure 5. Thermal impedance for TO-220FP

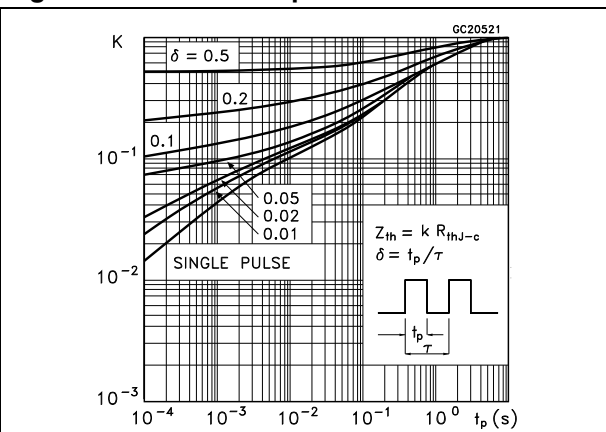


Figure 6. Safe operating area for TO-247

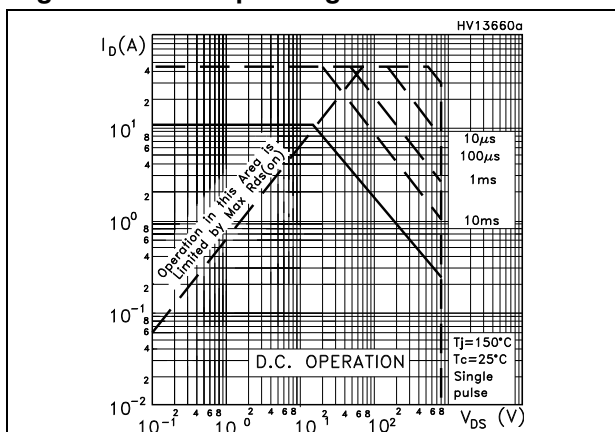


Figure 7. Thermal impedance for TO-247

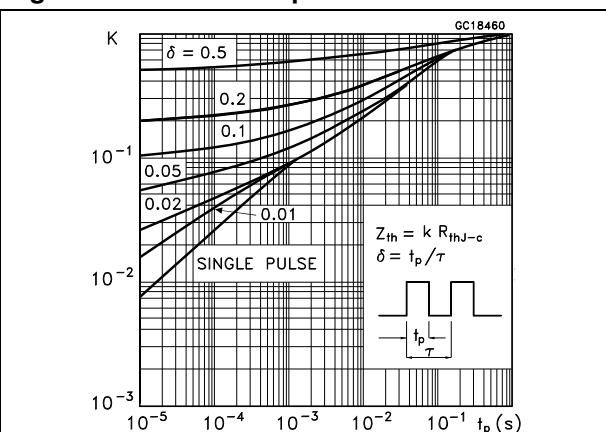


Figure 8. Output characteristics

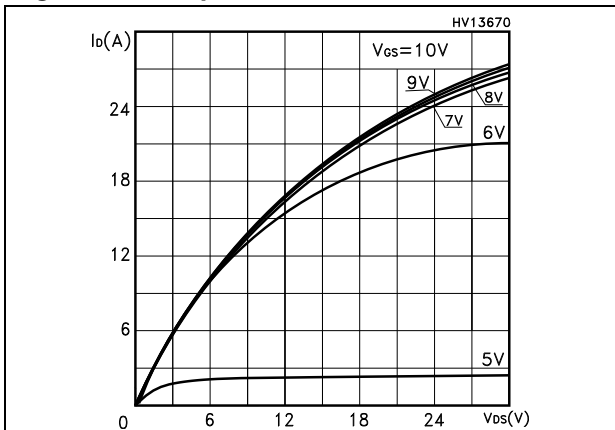


Figure 9. Transfer characteristics

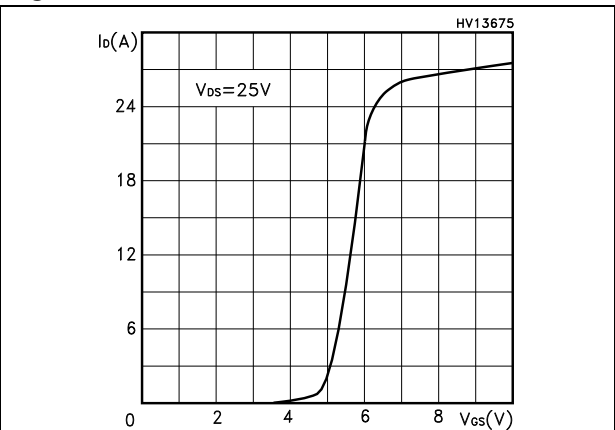


Figure 10. Transconductance

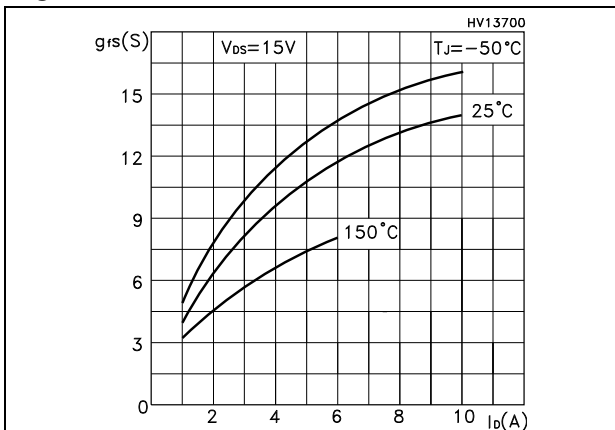


Figure 11. Static drain-source on-resistance

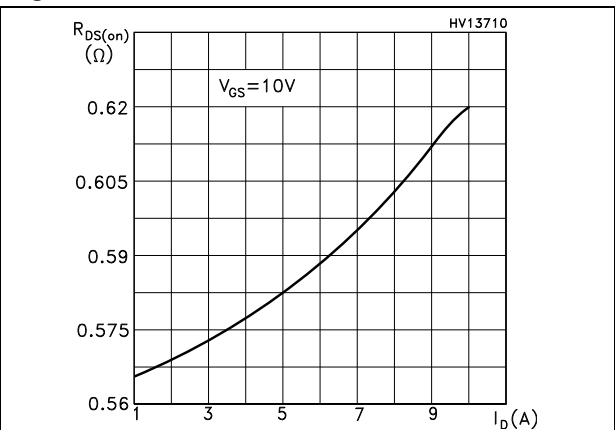


Figure 12. Gate charge vs gate-source voltage

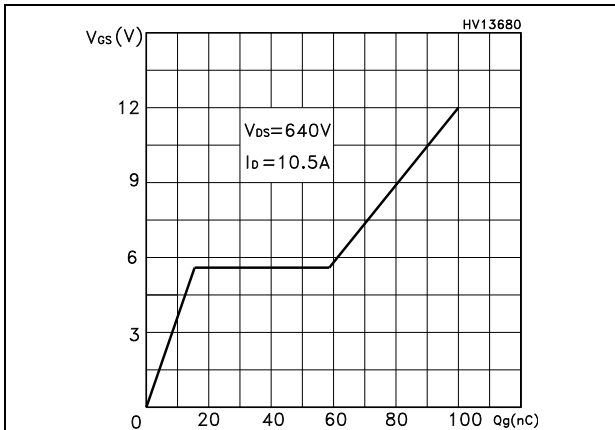


Figure 13. Capacitance variations

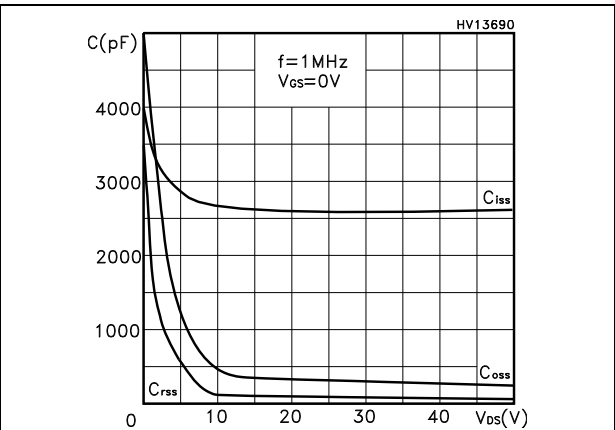




Figure 14. Normalized gate threshold voltage vs temperature

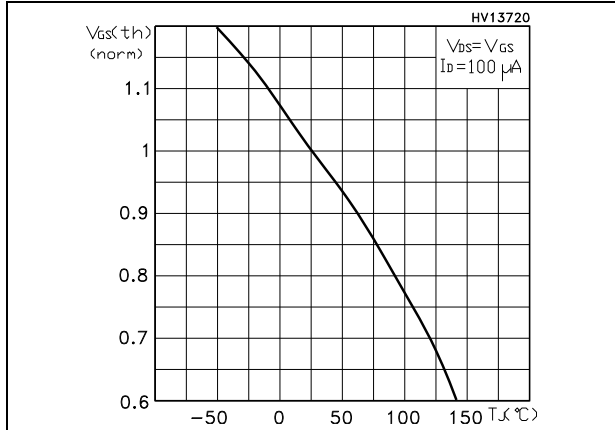


Figure 15. Normalized on-resistance vs temperature

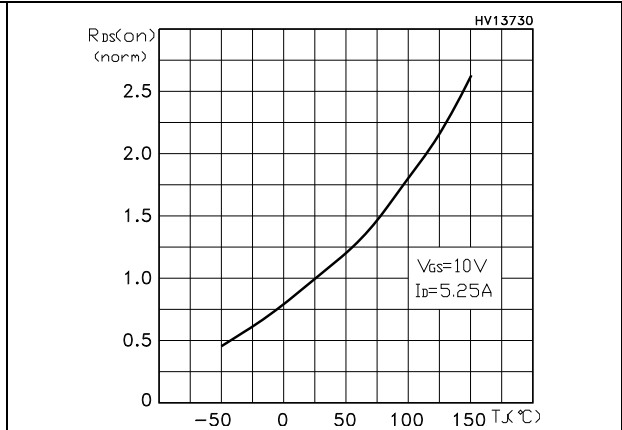


Figure 16. Source-drain diode forward characteristics

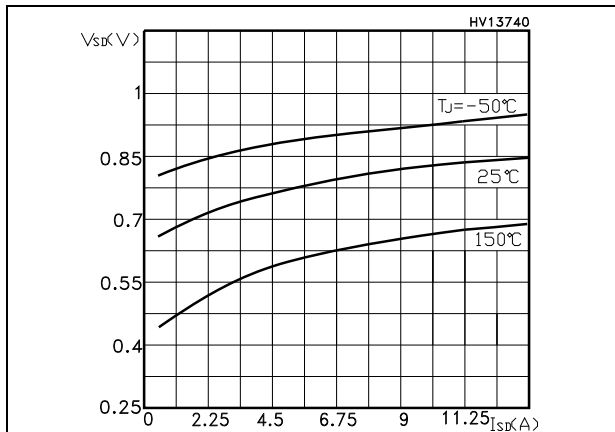


Figure 17. Normalized B<sub>V</sub>DSS vs temperature

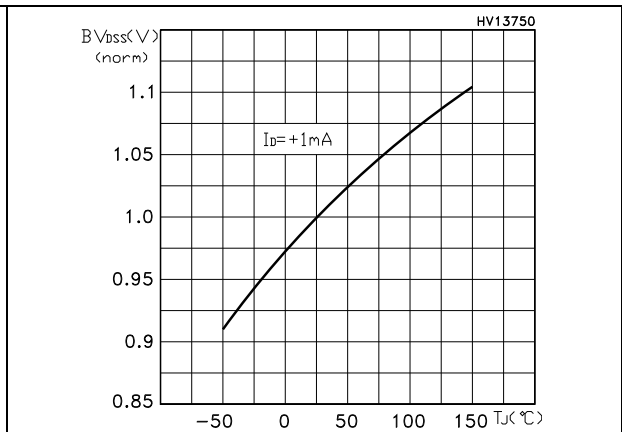
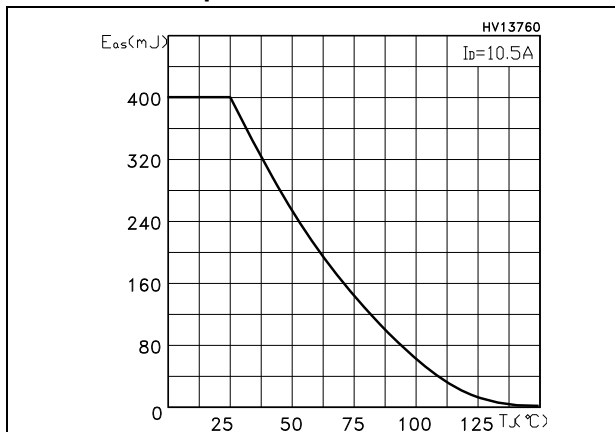


Figure 18. Maximum avalanche energy vs temperature



### 3 Test circuits

Figure 19. Switching times test circuit for resistive load

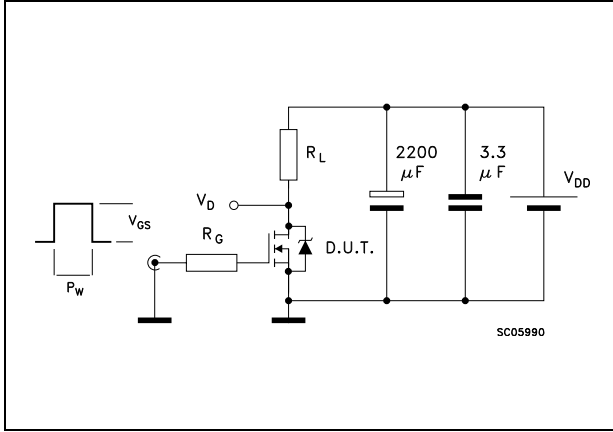


Figure 20. Gate charge test circuit

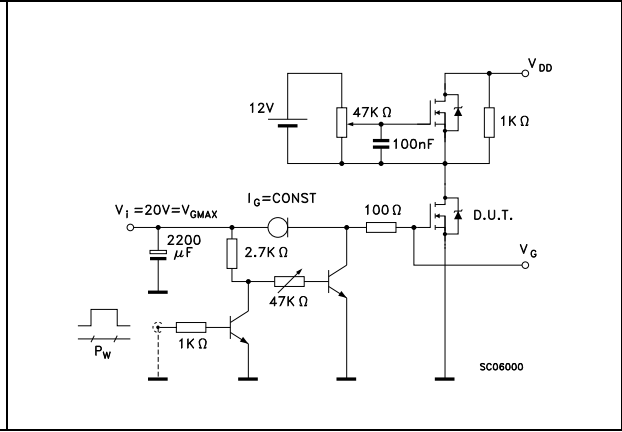


Figure 21. Test circuit for inductive load switching and diode recovery times

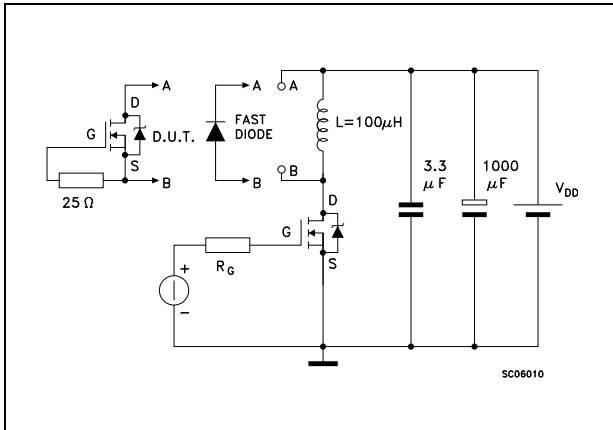


Figure 22. Unclamped Inductive load test circuit

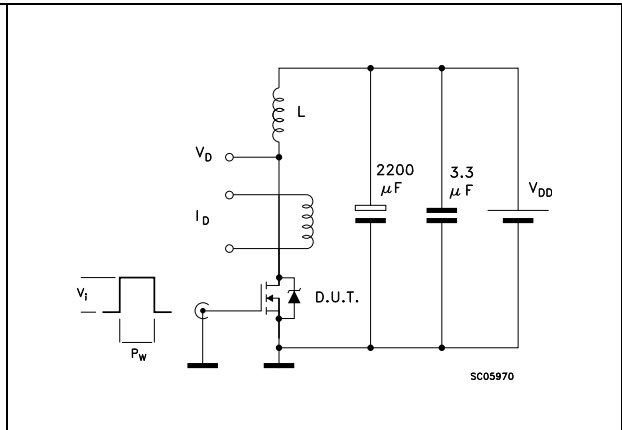
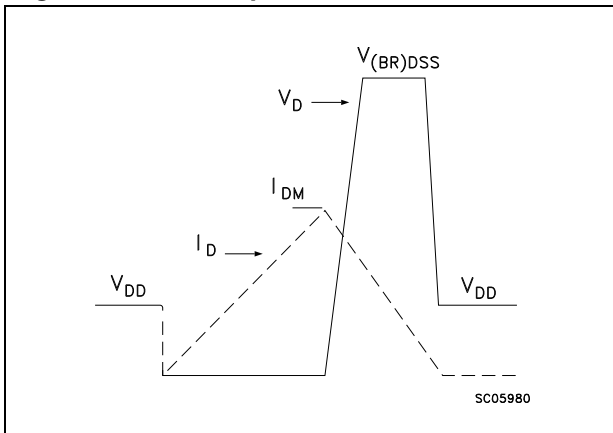


Figure 23. Unclamped inductive waveform



## 4 Package mechanical data

In order to meet environmental requirements, ST offers these devices in different grades of ECOPACK® packages, depending on their level of environmental compliance. ECOPACK® specifications, grade definitions and product status are available at: [www.st.com](http://www.st.com). ECOPACK is an ST trademark.

**Table 9. D<sup>2</sup>PAK (TO-263) mechanical data**

| Dim. | mm   |      |       |
|------|------|------|-------|
|      | Min. | Typ. | Max.  |
| A    | 4.40 |      | 4.60  |
| A1   | 0.03 |      | 0.23  |
| b    | 0.70 |      | 0.93  |
| b2   | 1.14 |      | 1.70  |
| c    | 0.45 |      | 0.60  |
| c2   | 1.23 |      | 1.36  |
| D    | 8.95 |      | 9.35  |
| D1   | 7.50 |      |       |
| E    | 10   |      | 10.40 |
| E1   | 8.50 |      |       |
| e    |      | 2.54 |       |
| e1   | 4.88 |      | 5.28  |
| H    | 15   |      | 15.85 |
| J1   | 2.49 |      | 2.69  |
| L    | 2.29 |      | 2.79  |
| L1   | 1.27 |      | 1.40  |
| L2   | 1.30 |      | 1.75  |
| R    |      | 0.4  |       |
| V2   | 0°   |      | 8°    |

Figure 24. D<sup>2</sup>PAK (TO-263) drawing

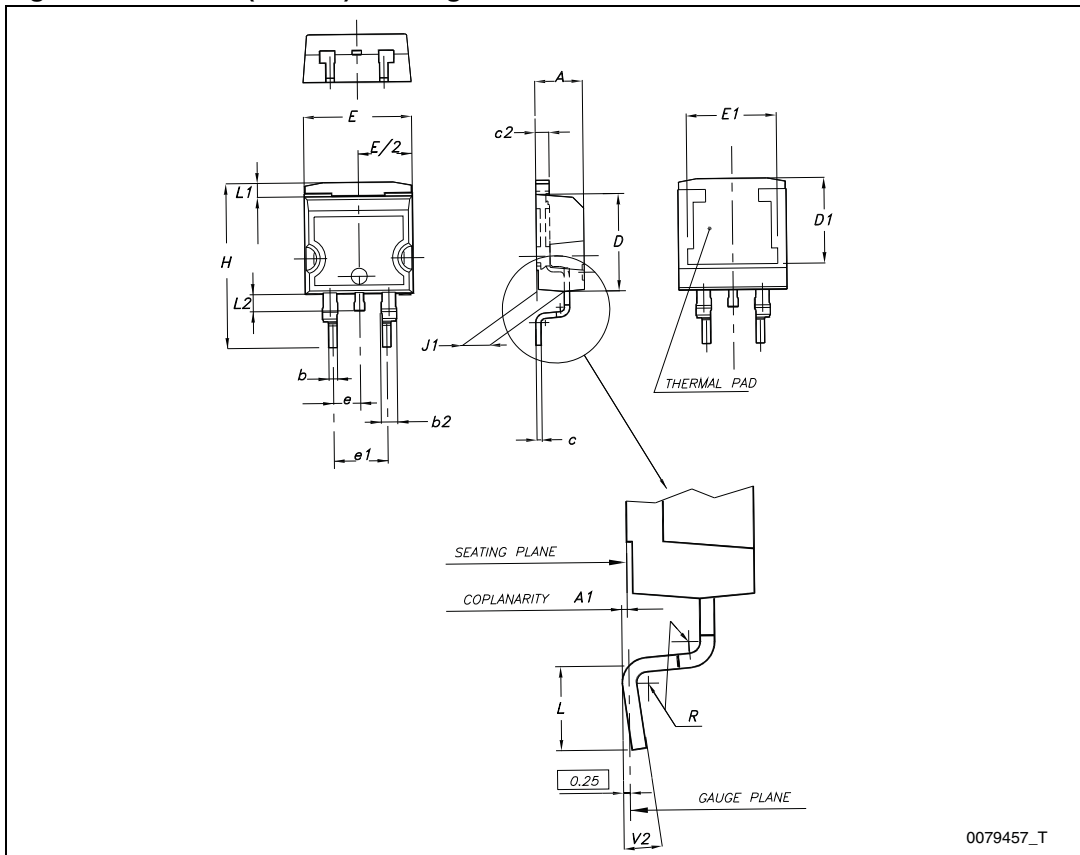
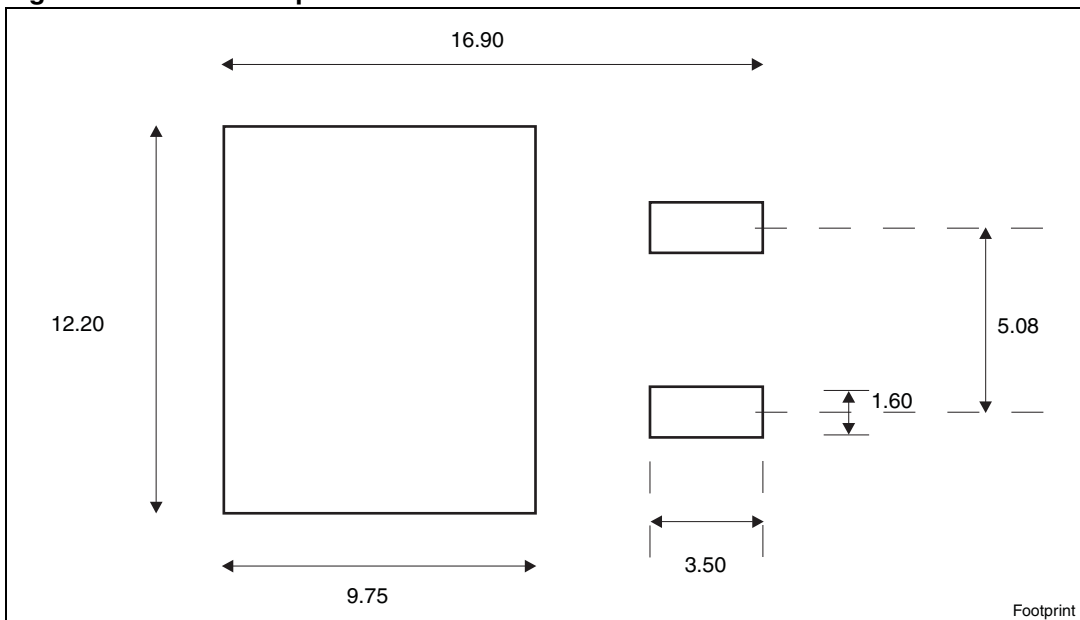


Figure 25. D<sup>2</sup>PAK footprint<sup>(a)</sup>

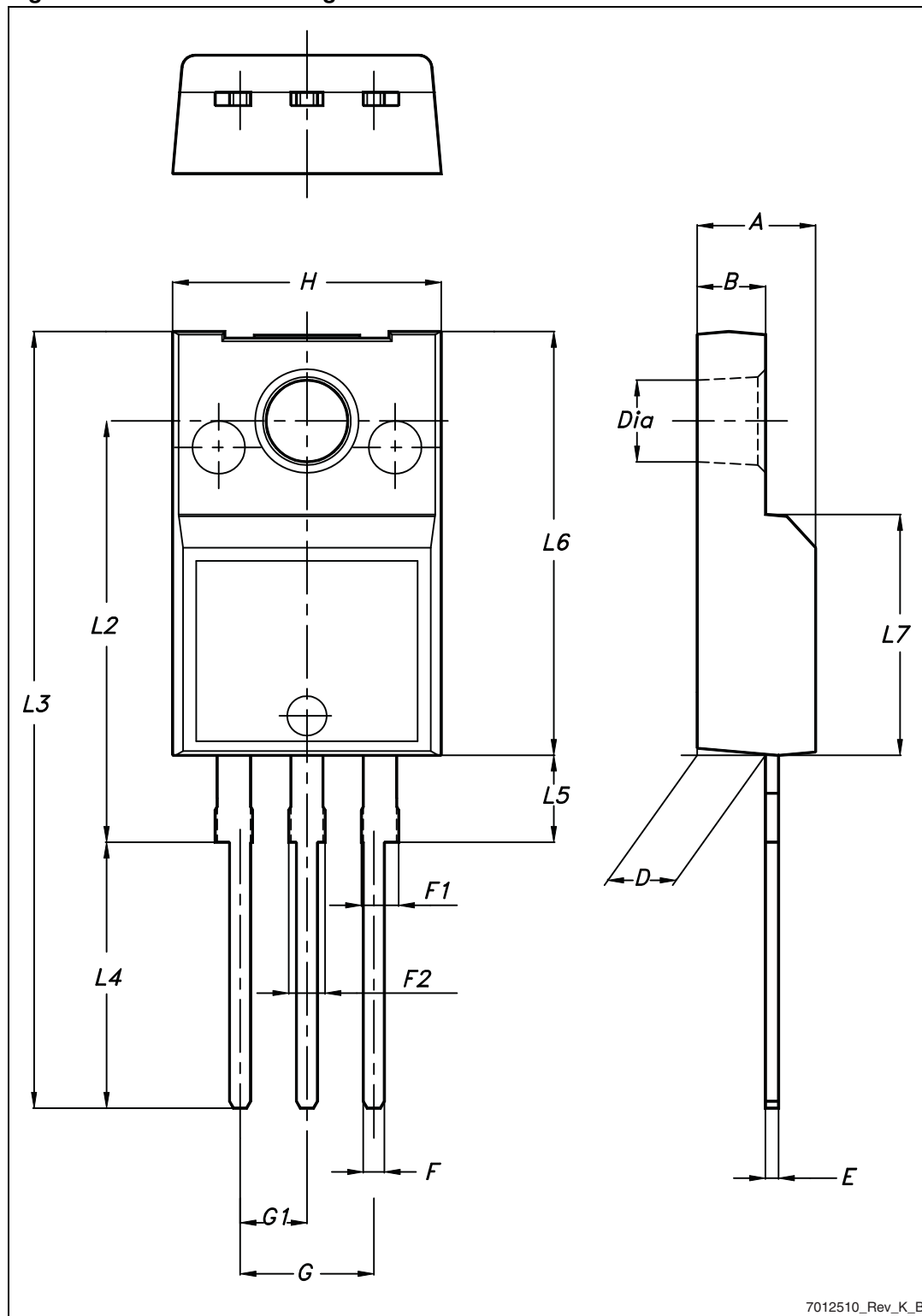


a. All dimension are in millimeters

Table 10. TO-220FP mechanical data

| Dim. | mm   |      |      |
|------|------|------|------|
|      | Min. | Typ. | Max. |
| A    | 4.4  |      | 4.6  |
| B    | 2.5  |      | 2.7  |
| D    | 2.5  |      | 2.75 |
| E    | 0.45 |      | 0.7  |
| F    | 0.75 |      | 1    |
| F1   | 1.15 |      | 1.70 |
| F2   | 1.15 |      | 1.70 |
| G    | 4.95 |      | 5.2  |
| G1   | 2.4  |      | 2.7  |
| H    | 10   |      | 10.4 |
| L2   |      | 16   |      |
| L3   | 28.6 |      | 30.6 |
| L4   | 9.8  |      | 10.6 |
| L5   | 2.9  |      | 3.6  |
| L6   | 15.9 |      | 16.4 |
| L7   | 9    |      | 9.3  |
| Dia  | 3    |      | 3.2  |

Figure 26. TO-220FP drawing



7012510\_Rev\_K\_B

Table 11. TO-220 type A mechanical data

| Dim. | mm    |       |       |
|------|-------|-------|-------|
|      | Min.  | Typ.  | Max.  |
| A    | 4.40  |       | 4.60  |
| b    | 0.61  |       | 0.88  |
| b1   | 1.14  |       | 1.70  |
| c    | 0.48  |       | 0.70  |
| D    | 15.25 |       | 15.75 |
| D1   |       | 1.27  |       |
| E    | 10    |       | 10.40 |
| e    | 2.40  |       | 2.70  |
| e1   | 4.95  |       | 5.15  |
| F    | 1.23  |       | 1.32  |
| H1   | 6.20  |       | 6.60  |
| J1   | 2.40  |       | 2.72  |
| L    | 13    |       | 14    |
| L1   | 3.50  |       | 3.93  |
| L20  |       | 16.40 |       |
| L30  |       | 28.90 |       |
| ØP   | 3.75  |       | 3.85  |
| Q    | 2.65  |       | 2.95  |

Figure 27. TO-220 type A drawing

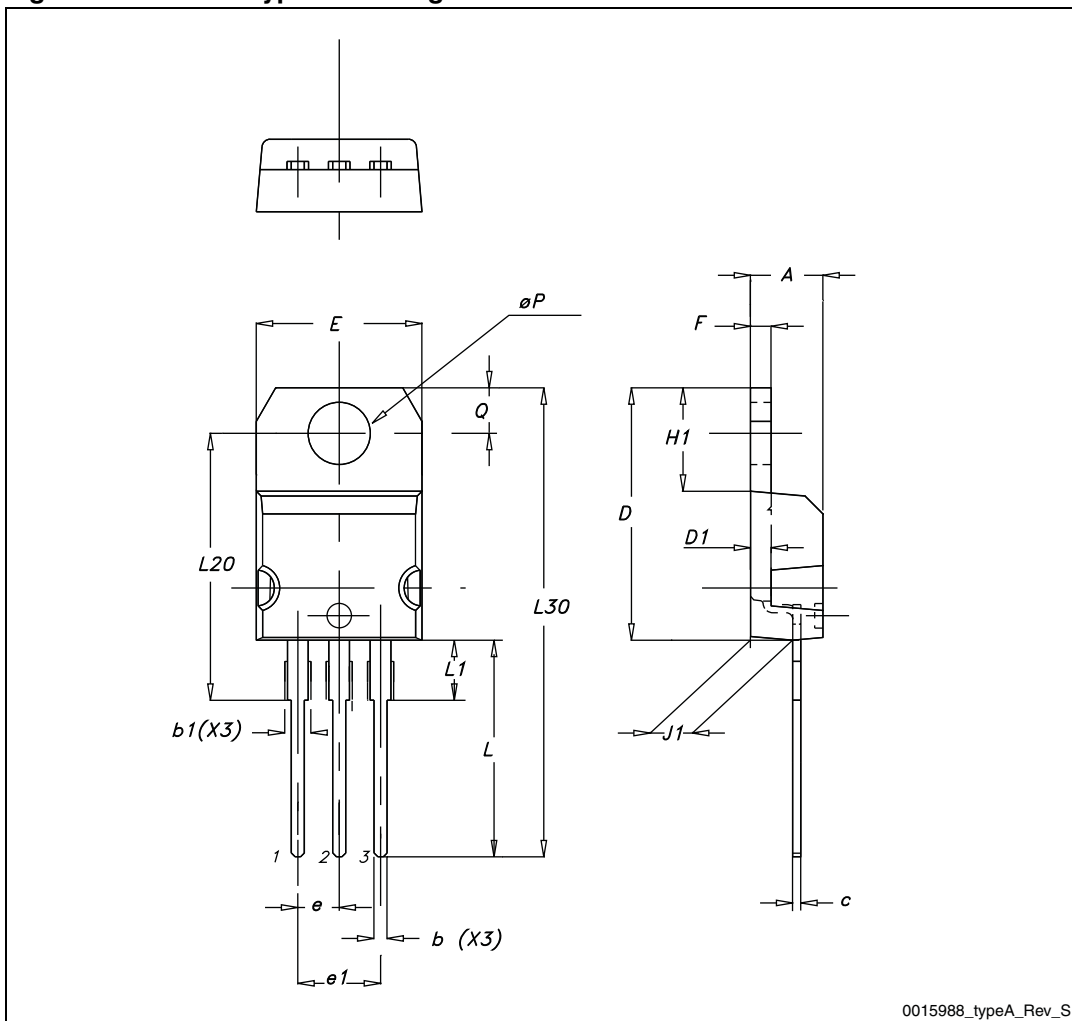
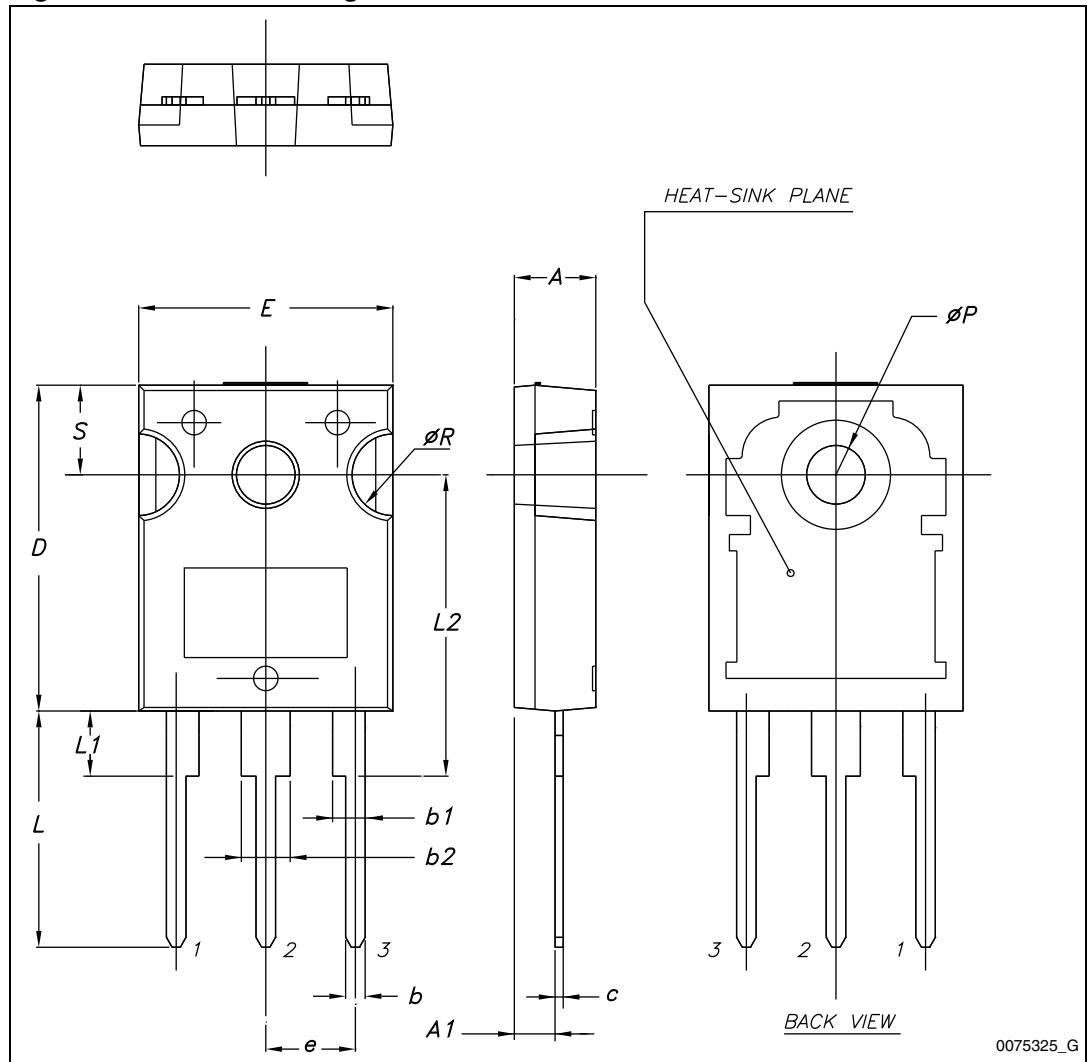




Table 12. TO-247 mechanical data

| Dim. | mm.   |       |       |
|------|-------|-------|-------|
|      | Min.  | Typ.  | Max.  |
| A    | 4.85  |       | 5.15  |
| A1   | 2.20  |       | 2.60  |
| b    | 1.0   |       | 1.40  |
| b1   | 2.0   |       | 2.40  |
| b2   | 3.0   |       | 3.40  |
| c    | 0.40  |       | 0.80  |
| D    | 19.85 |       | 20.15 |
| E    | 15.45 |       | 15.75 |
| e    | 5.30  | 5.45  | 5.60  |
| L    | 14.20 |       | 14.80 |
| L1   | 3.70  |       | 4.30  |
| L2   |       | 18.50 |       |
| ØP   | 3.55  |       | 3.65  |
| ØR   | 4.50  |       | 5.50  |
| S    | 5.30  | 5.50  | 5.70  |

Figure 28. TO-247 drawing

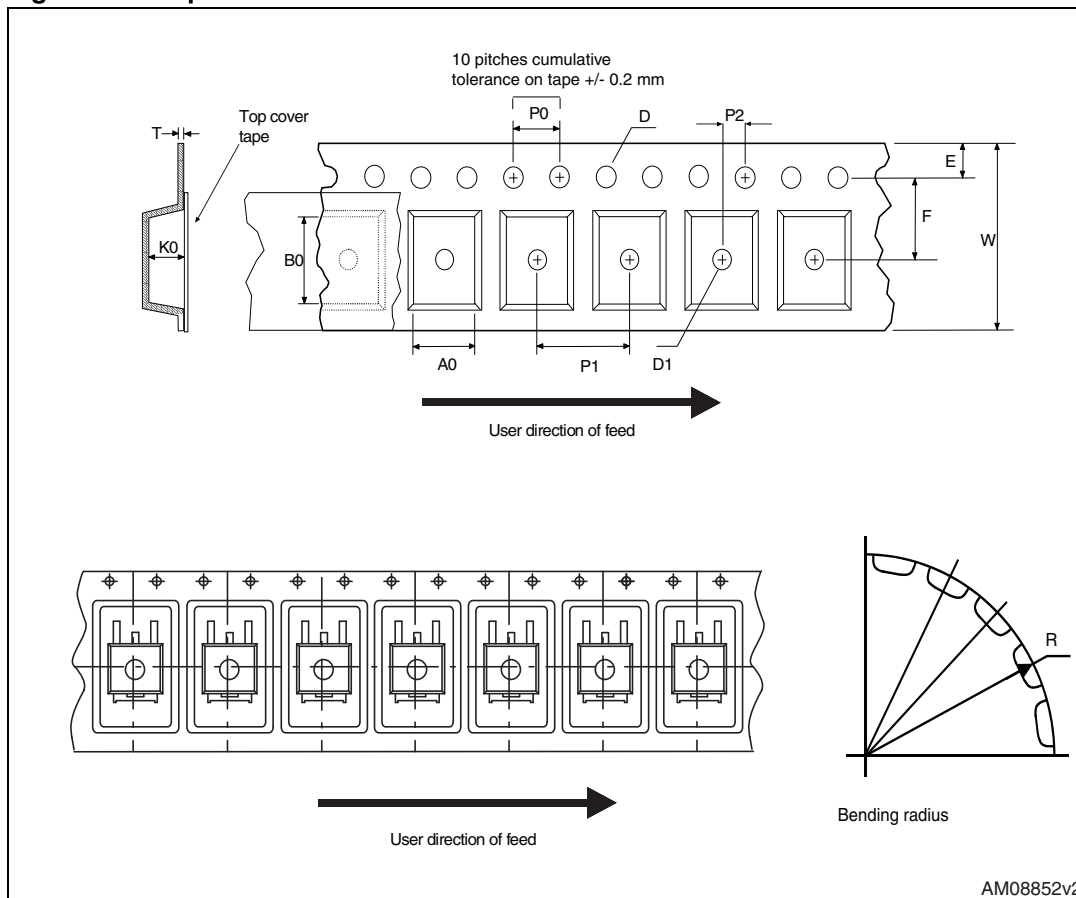


## 5 Packaging mechanical data

Table 13. D<sup>2</sup>PAK (TO-263) tape and reel mechanical data

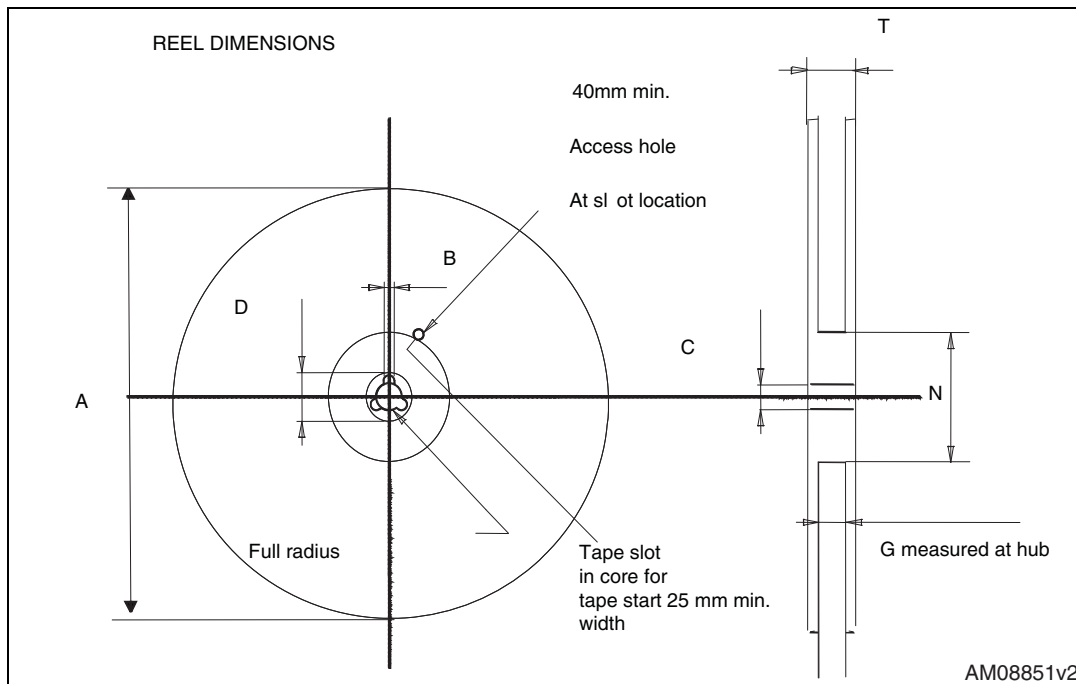
| Tape |      |      | Reel |          |      |
|------|------|------|------|----------|------|
| Dim. | mm   |      | Dim. | mm       |      |
|      | Min. | Max. |      | Min.     | Max. |
| A0   | 10.5 | 10.7 | A    |          | 330  |
| B0   | 15.7 | 15.9 | B    | 1.5      |      |
| D    | 1.5  | 1.6  | C    | 12.8     | 13.2 |
| D1   | 1.59 | 1.61 | D    | 20.2     |      |
| E    | 1.65 | 1.85 | G    | 24.4     | 26.4 |
| F    | 11.4 | 11.6 | N    | 100      |      |
| K0   | 4.8  | 5.0  | T    |          | 30.4 |
| P0   | 3.9  | 4.1  |      |          |      |
| P1   | 11.9 | 12.1 |      | Base qty | 1000 |
| P2   | 1.9  | 2.1  |      | Bulk qty | 1000 |
| R    | 50   |      |      |          |      |
| T    | 0.25 | 0.35 |      |          |      |
| W    | 23.7 | 24.3 |      |          |      |

Figure 29. Tape



AM08852v2

Reel



AM08851v2

## 6 Revision history

**Table 14. Document revision history**

| Date        | Revision | Changes                                                                                                                                                                                                                                                                                                                                               |
|-------------|----------|-------------------------------------------------------------------------------------------------------------------------------------------------------------------------------------------------------------------------------------------------------------------------------------------------------------------------------------------------------|
| 22-Jun-2004 | 2        | Preliminary version.                                                                                                                                                                                                                                                                                                                                  |
| 28-Jan-2005 | 3        | Complete version.                                                                                                                                                                                                                                                                                                                                     |
| 08-Sep-2005 | 4        | <a href="#">Figure 2</a> and <a href="#">Figure 6</a> changed.                                                                                                                                                                                                                                                                                        |
| 31-Jul-2006 | 5        | The document has been reformatted.                                                                                                                                                                                                                                                                                                                    |
| 27-Apr-2007 | 6        | Modified $R_{DS(on)}$ value on <a href="#">Table 5</a> .                                                                                                                                                                                                                                                                                              |
| 28-Aug-2012 | 7        | Inserted new device in TO-220FP.<br>Updated <a href="#">Table 1: Device summary</a> , <a href="#">Table 2: Absolute maximum ratings</a> and <a href="#">Table 3: Thermal data</a> .<br>Updated <a href="#">Section 4: Package mechanical data</a> and <a href="#">Section 5: Packaging mechanical data</a> .<br>Minor text changes in the cover page. |

**Please Read Carefully:**

Information in this document is provided solely in connection with ST products. STMicroelectronics NV and its subsidiaries ("ST") reserve the right to make changes, corrections, modifications or improvements, to this document, and the products and services described herein at any time, without notice.

All ST products are sold pursuant to ST's terms and conditions of sale.

Purchasers are solely responsible for the choice, selection and use of the ST products and services described herein, and ST assumes no liability whatsoever relating to the choice, selection or use of the ST products and services described herein.

No license, express or implied, by estoppel or otherwise, to any intellectual property rights is granted under this document. If any part of this document refers to any third party products or services it shall not be deemed a license grant by ST for the use of such third party products or services, or any intellectual property contained therein or considered as a warranty covering the use in any manner whatsoever of such third party products or services or any intellectual property contained therein.

**UNLESS OTHERWISE SET FORTH IN ST'S TERMS AND CONDITIONS OF SALE ST DISCLAIMS ANY EXPRESS OR IMPLIED WARRANTY WITH RESPECT TO THE USE AND/OR SALE OF ST PRODUCTS INCLUDING WITHOUT LIMITATION IMPLIED WARRANTIES OF MERCHANTABILITY, FITNESS FOR A PARTICULAR PURPOSE (AND THEIR EQUIVALENTS UNDER THE LAWS OF ANY JURISDICTION), OR INFRINGEMENT OF ANY PATENT, COPYRIGHT OR OTHER INTELLECTUAL PROPERTY RIGHT.**

**UNLESS EXPRESSLY APPROVED IN WRITING BY TWO AUTHORIZED ST REPRESENTATIVES, ST PRODUCTS ARE NOT RECOMMENDED, AUTHORIZED OR WARRANTED FOR USE IN MILITARY, AIR CRAFT, SPACE, LIFE SAVING, OR LIFE SUSTAINING APPLICATIONS, NOR IN PRODUCTS OR SYSTEMS WHERE FAILURE OR MALFUNCTION MAY RESULT IN PERSONAL INJURY, DEATH, OR SEVERE PROPERTY OR ENVIRONMENTAL DAMAGE. ST PRODUCTS WHICH ARE NOT SPECIFIED AS "AUTOMOTIVE GRADE" MAY ONLY BE USED IN AUTOMOTIVE APPLICATIONS AT USER'S OWN RISK.**

Resale of ST products with provisions different from the statements and/or technical features set forth in this document shall immediately void any warranty granted by ST for the ST product or service described herein and shall not create or extend in any manner whatsoever, any liability of ST.

ST and the ST logo are trademarks or registered trademarks of ST in various countries.

Information in this document supersedes and replaces all information previously supplied.

The ST logo is a registered trademark of STMicroelectronics. All other names are the property of their respective owners.

© 2012 STMicroelectronics - All rights reserved

STMicroelectronics group of companies

Australia - Belgium - Brazil - Canada - China - Czech Republic - Finland - France - Germany - Hong Kong - India - Israel - Italy - Japan - Malaysia - Malta - Morocco - Philippines - Singapore - Spain - Sweden - Switzerland - United Kingdom - United States of America

[www.st.com](http://www.st.com)

# Mouser Electronics

Authorized Distributor

Click to View Pricing, Inventory, Delivery & Lifecycle Information:

[STMicroelectronics:](#)

[STP12NK80Z](#) [STW12NK80Z](#) [STB12NK80ZT4](#) [STF12NK80Z](#)