

Series 31

Technical Data

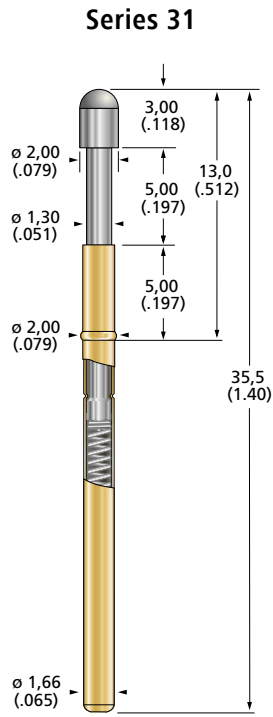
Overall Length	35,50 mm
Minimum Centre Spacing	2,54 mm
Maximum Travel	5,00 mm
Working Travel	3,30 mm
Temperature Range from	-55°C
Up to	+120°C
Typical Resistance	20 mΩ
Current Load rated/max.	3,0 / 4,0 A

Materials

Plunger	CuBe or steel, gold plated
Barrel	Nickel silver, gold plated
Spring	Music wire, silver plated

Compared to the standard 30 the Series 31 has a collar elongated by 3 mm and thus a correspondingly larger installation height.

The 31 series uses the receptacles of the series 30 shown on page 42.



Spring Force (xx)

Preload	Rated Force	Code
0,3 N	0,8 N	08
0,9 N	1,5 N	15
1,5 N	3,0 N	30
2,0 N	5,0 N	50

	Ø 0,70	31.102.07.xx
	Ø 1,30	31.102.13.xx
	Ø 1,30	31.103.13.xx
	Ø 2,00	31.103.20.xx
	Ø 3,00	31.03.30.xx
	Ø 1,90	31.104.19.xx
	Ø 1,30	31.05.13.xx
	Ø 1,50	31.05.15.xx
	Ø 2,00	31.05.20.xx
	Ø 1,30	31.06.13.xx
	Ø 1,60	31.106.16.xx
	Ø 2,00	31.106.20.xx
	Ø 1,30	31.107.13.xx
	Ø 1,30	31.108.13.xx
	Ø 2,00	31.108.20.xx
	Ø 2,70	31.308.27.xx
	Ø 1,30	31.10.13.xx
	Ø 1,80	31.10.18.xx
	Ø 1,30	31.118.13.xx
	Ø 2,00	31.61.20.xx



For **XXLonglife-Nanocoating**
order as **31X**

RECEPTACLES SERIES

30 / 31 / 40 / 41 / 42 / 44 / 49

D 30.01

Spacer tube 1 mm



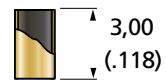
D 30.02

Spacer tube 2 mm



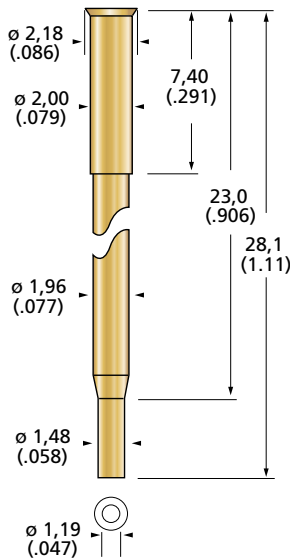
D 30.03

Spacer tube 3 mm



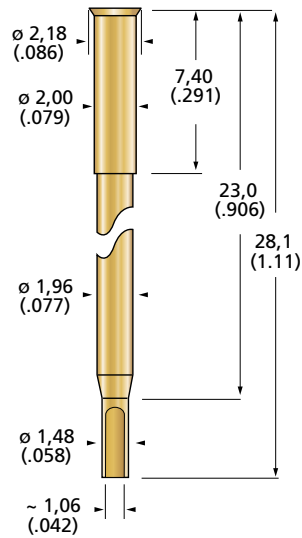
S 30.00-C

Open Crimp End



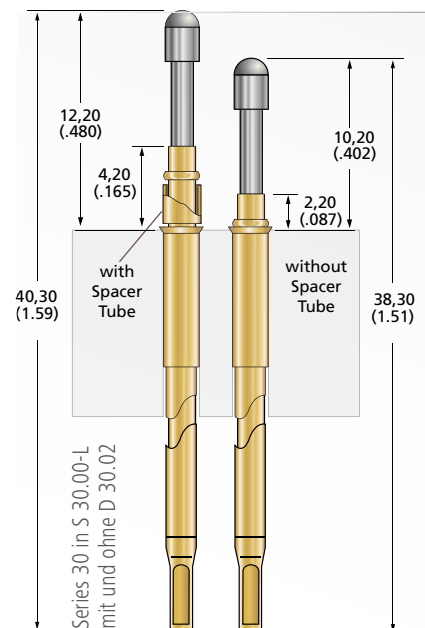
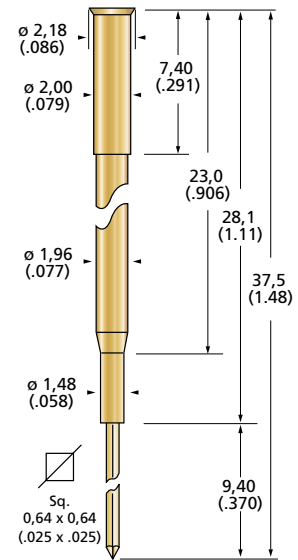
S 30.00-L

Solder Cup



S 30.00-W

Wire-Wrap-Post



FIXTURING EXAMPLE

ICT/FCT RECEPTACLES
SERIES 30 / 31 / 40 / 41 / 42 / 44 / 49

Pitch $\geq 2,54$ mm ≥ 100 mil