

FIRST ANGLE PROJECTION

Colour	M200	M300	M400
RAL 7035 Grey	M5320105	M5330105	M5340105
RAL 9005 Black	M5320109	M5330109	M5340109

Modifications

Iss

1

Notes added about the introduction of pull-up M3 fasteners to secure front panel & base panel.

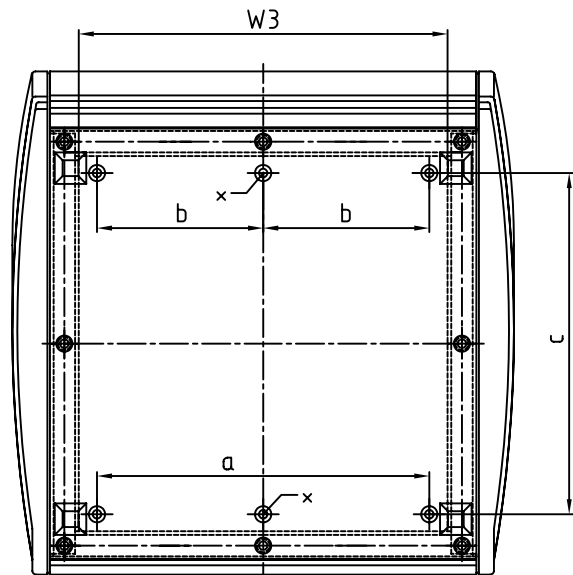
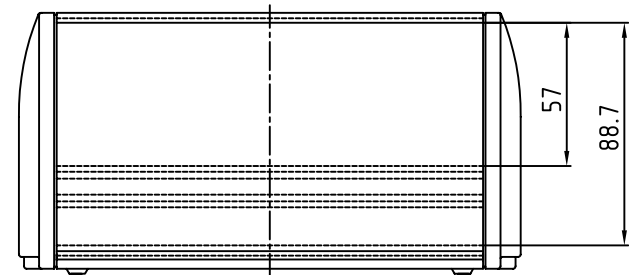
2

M300 case has 4 off extra pullup inserts to allow 8 off fixing points for the front panel.  
lan - February '07.

3

Table added to show colour variation part numbers  
lan - August '10

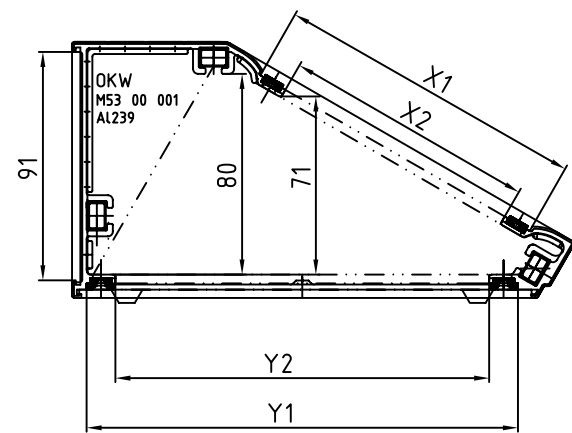
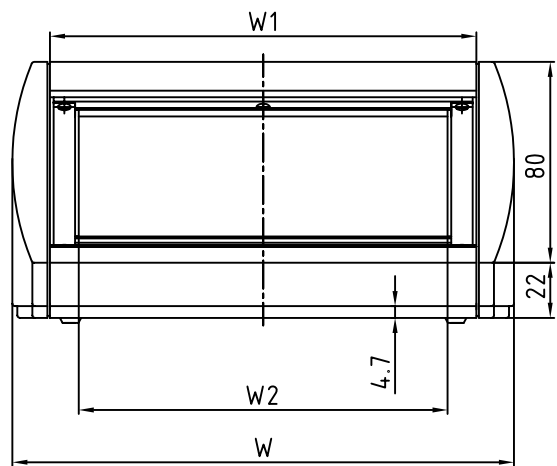
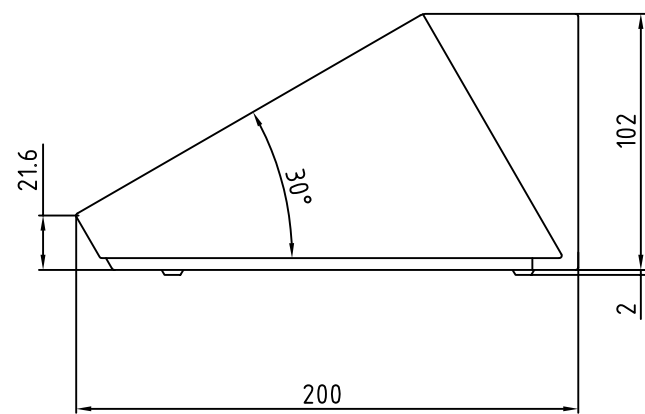
4



W	a	b	c
200	132.5	-	136
300	232.5	116.25	136
400	332.5	166.25	136

Size Drawn

x Holes not on W=200



W	W1	Size	W2	W3	X1	X2	Y1	Y2
200	170	S	147	147	124	101	172	149
300	270	M	247	247	124	101	172	149
400	370	L	347	347	124	101	172	149

From May 2006, all cases are supplied with pull-up M3 fasteners to secure the front panel & base panel, rather than the original plastic M3 inserts. The quantity fitted is as follows:

Size	Front Pnl	Base Pnl
M200	4	8
M300	8	10
M400	6	12

Tolerances unless otherwise stated: General tolerances ±0.20 Resultant tolerances between hole centers ±0.15 Tolerances on hole diameters ±0.05 Angles ± 0.5° Surface finish 32/	Required Finish: See table	Scale: ALL DIMENSIONS IN MILLIMETRES	DO NOT SCALE	
	Drawn by: Ian Cox	Checked By:	Drawing Number 1013	Date drawn: August '05
www.metcase.com	METCASE ENCLOSURES Unit 3, Mitchell Close Segensworth East, Fareham, Hampshire, PO15 5SE, UK.		Part Name Unidesk Case Assemblies	
			Part Number See Table	Sheet 1 of 1
<small>©OKW ENCLOSURES LTD (DATE AS SHOWN). THIS DRAWING CONTAINS PROPRIETARY INFORMATION OF OKW ENCLOSURES LTD AND IS TENDERED SUBJECT TO THE FOLLOWING CONDITIONS: THE INFORMATION BE RETAINED IN CONFIDENCE, NOT BE REPRODUCED OR COPIED, AND NOT BE USED OR INCORPORATED IN ANY PRODUCT, UNLESS PERMISSION IS OBTAINED IN WRITING FROM OKW ENCLOSURES LTD.</small>				

A0