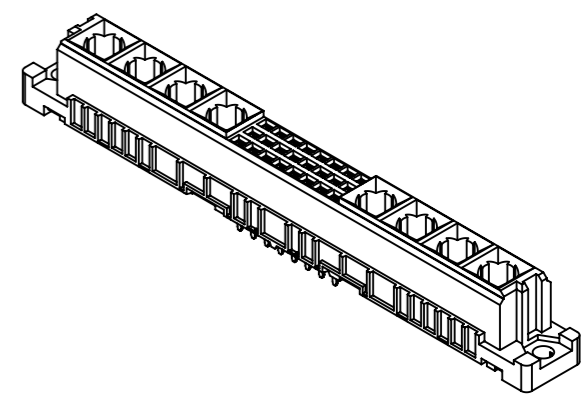
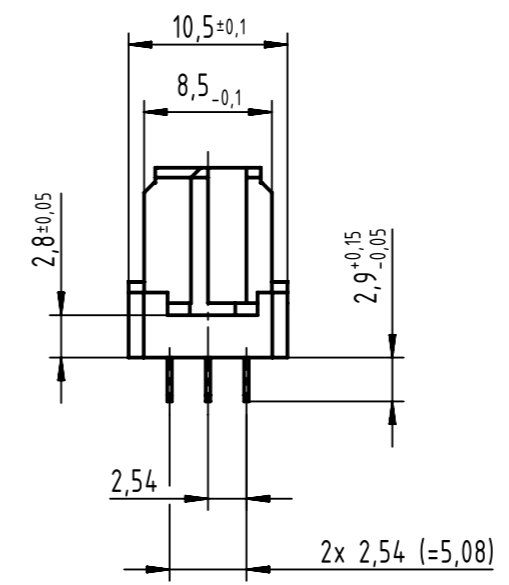


A
board drillings

A
contact arrangement

24 solder contacts
 x = solder contact
 □ = position without contact

B (2:1)



- 2 hole diameter is to be co-ordinated with the respective contact
- 1 further information see: DS 09032100001

09 03 224 6864	2
part no.	performance level 1

All rights reserved Department EL PD HARTING Electronics GmbH D-32339 Espelkamp	All Dimensions in mm Original Size DIN A3	Scale 1:1 Free size tol. IEC 60603-2	Ref. Sub.	Created by ZWAHR	Inspected by DAHMS	Standardisation HOFFMANN	Date 2017-01-20	State Final Release
	Title DIN Signal type M24-flat female solder 2.9 24-pole							Doc-Key / ECM-Nr. 100072218/UGD/032/D 500000114090
		Type TB	Number 0903224X864		Rev. D	Page 1/1		