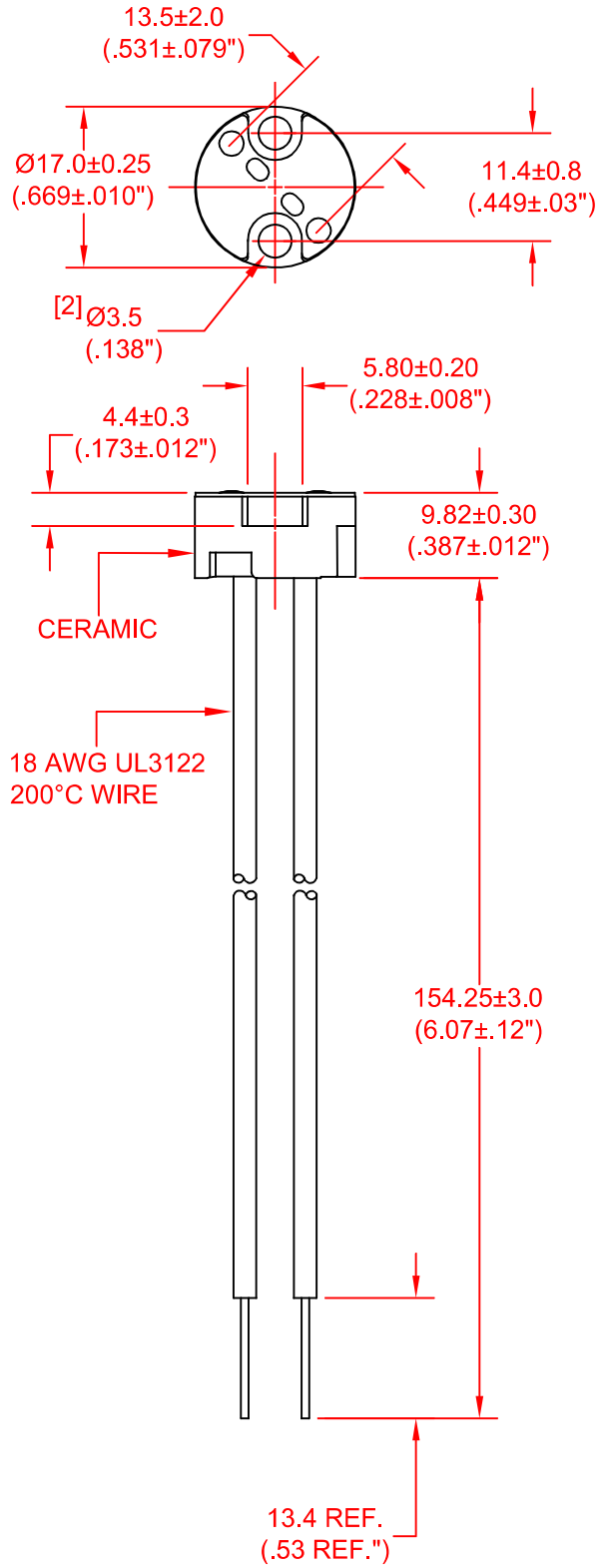
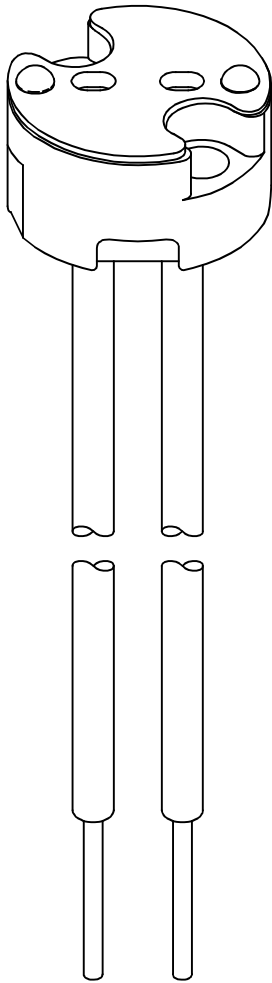


NOTES:

1. MAX Electrical Rating: 250 Volts, 100 Watts
2. Use with G4, GX5.3 or G6.35 Style lamps/L.E.D.s
3. Contact retention force 2.0-4.0 lbs per contact
4. Ceramic Body Socket



C	ADD NOTE 4 AND MAX RATING NOTE 1	9/08/21
B	ADD NOTES	2/11/13
A	ADD PIN SPACING DIMENSION	10/31/08
	RELEASED	11/26/07

REV. NO. DESCRIPTION/ECO APPVD. DATE

<p>METRIC THIRD ANGLE PROJECTION</p>	DIMENSIONS ARE IN mm (INCHES)	
	TOLERANCE UNLESS OTHERWISE SPECIFIED 1 PL +/- REF. 2 PL +/- REF. ANGLE +/-	
DRAWN BY L. WENGSTROM	APPVD BY S.N. 9/8/21	DATE
- CAD DRAWING - MANUAL DEVIATIONS NOT ADMITTED		

JKL COMPONENTS CORPORATION		
TITLE MR16 LAMP SOCKET		
SIZE NONE	FSCM NO.	DRAWING NO. 2993-G6
SCALE NONE	RELEASED DATE 11/26/07	REVISION DATE 9/8/21
REV. NO. C	SHEET 1 OF 1	