

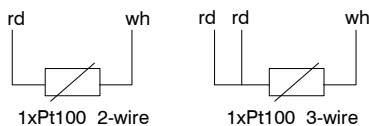
Cable-sensor

Type K3RS

Issue 11/19

Sensor

1 x Pt100 F0,3 (old designation cl.B) acc. to DIN EN 60751
2- or 3-wire-circuit



Protective tube material

1.4571

Protective tube diameter

∅ 3 mm

Nominal length

50 mm

Cable

TeSi 2x0,34 or 3x0,34 (200°C)

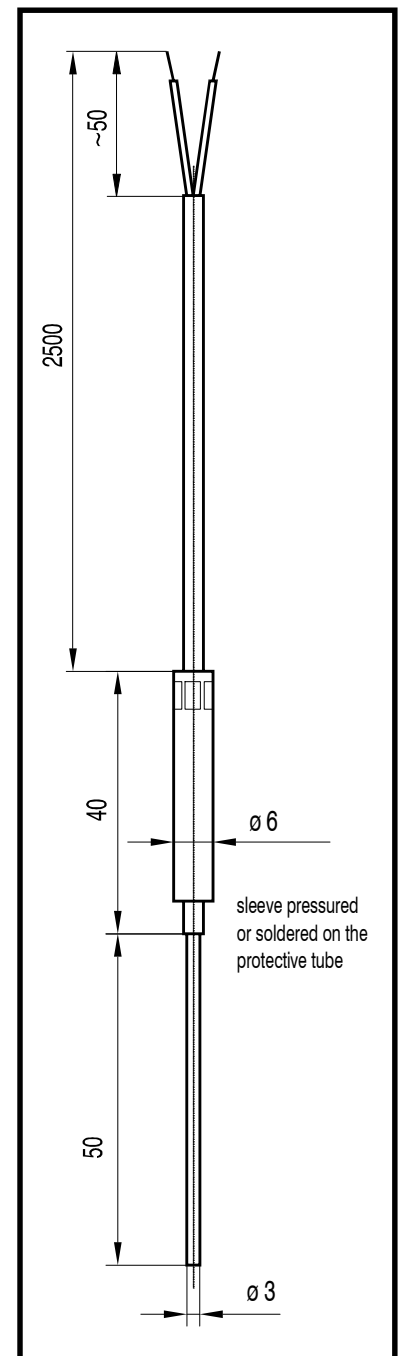
GIGIV 2x0,34 or 3x0,22 (400°C)

Cable length

2500 mm

Order Example

K3-E-2LS-200



Subject to change without notice

D- 99331 Geratal OT Geraberg, Gewerbepark 6

Tel: +49 (0) 3677 / 7956-0 // Fax: +49 (0) 3677 / 795 625

E-Mail: info@electrotherm.de

Internet: www.electrotherm.de