

PCV36-75W Series

36W-75W Constant Voltage Power Supplies



Case: 8046GX ~ 166 x 52 x 24 mm
Case: 8043DH ~ 184 x 61 x 32 mm

Features

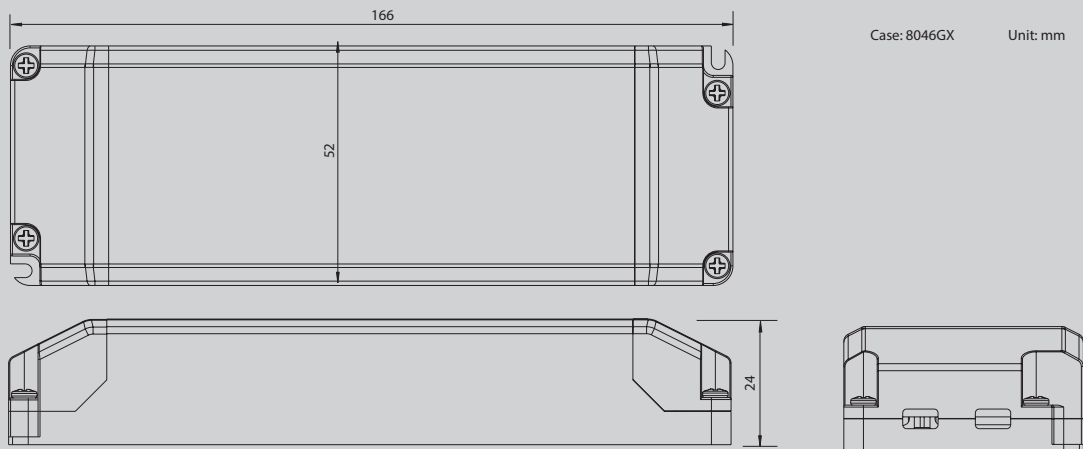
- Captive terminal screws for ease
- Screw lock cable strain relief
- Over load, short circuit and thermal protection
- SELV equivalent
- Class II product
- Safe no load operation
- Suitable for indoor lighting applications



Specification

INPUT	Inrush	<12.5A/240VAC<5.5A/110V	<12A/240VAC<5A/110VAC	<15A/230V<6.5A/115V	<15A/230V<6.5A/115V	15A/230V<6.5/115V
	Voltage	100V ~ 240VAC				
	Frequency	47 ~ 63 Hz				
	Power Factor	0.95				
OUTPUT	MODEL No.	PCV1236	PCV2436	PCV1250	PCV2450	PCV2475
	Voltage	12V	24V	12V	24V	24V
	Current	3A	1.5A	4.2A	2A	3.15A
	Power	36W	36W	50W	50W	75W
	R&N	300mV	500mV	300mV	500mV	500mV
	Efficiency (TYP.)	82%	84%	82%	84%	85%
PROTECTIONS	Over Voltage	Auto recovery				
	Over Temperature	Thermal				
ELEC. CHAR	Set Up Time	2s max				
ENVIRONMENT	Temperature	Operating: -20~+50°C; Storage: -20~+70°C				
SAFETY	Safety Standard	Designed to meet EN61347-1, EN61347-2-13				
EMC	EMI Standard	Meets Emissions to EN55015, EN61547, EN61000-3-2, EN61000-3-3				
OTHERS	Lifetime	50K hrs full load 25°C				
	Case	8046GX	8046GX	8043DH	8043DH	8043DH

Dimensions Case 8046GX



PCV36-75W Series

36W-75W Constant Voltage Power Supplies



Dimensions Case 8043DH

