

EFR32MG22 Wireless Gecko SoC Family

Data Sheet



The EFR32MG22 Wireless Gecko multiprotocol family of SoCs is part of the Wireless Gecko portfolio. EFR32MG22 Wireless Gecko SoCs are ideal for enabling energy-friendly multiprotocol networking for IoT devices.

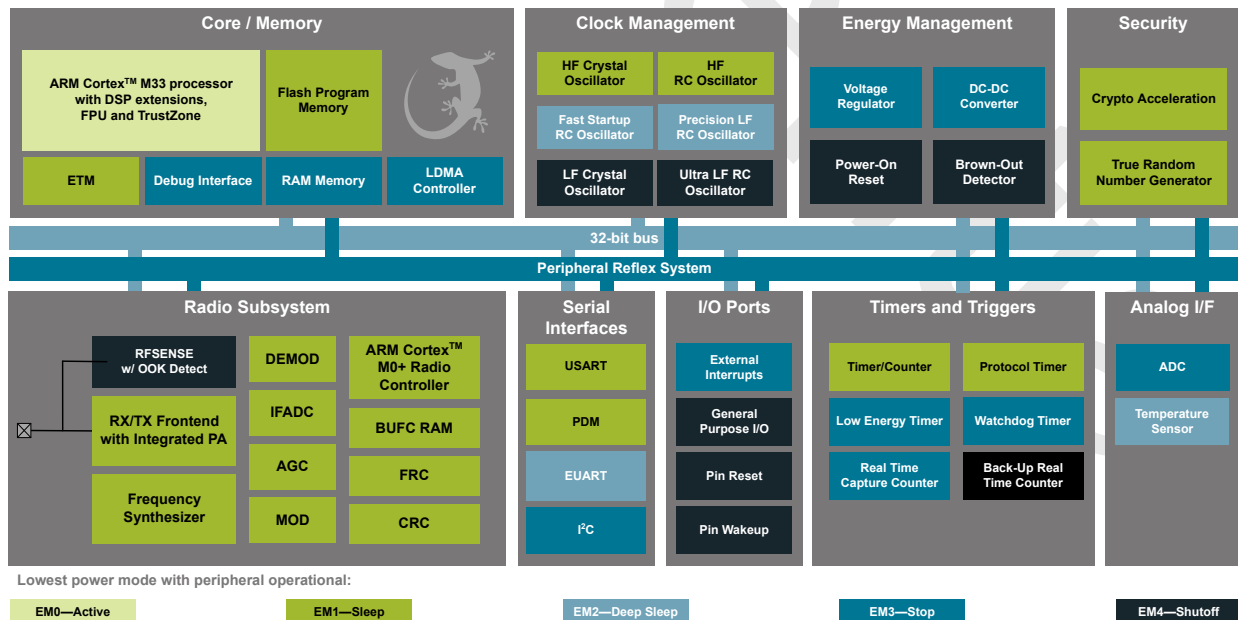
The single-die solution combines a 76.8 MHz ARM Cortex-M33 with a high performance 2.4 GHz radio to provide an industry-leading, energy efficient wireless SoC for IoT connected applications.

Wireless Gecko applications include:

- Energy-Harvesting Sensors
- Lighting Control
- Building Automation
- Home Automation

KEY FEATURES

- 32-bit ARM® Cortex®-M33 core with 76.8 MHz maximum operating frequency
- Up to 512 kB of flash and 32 kB of RAM
- 12-channel Peripheral Reflex System enabling autonomous interaction of MCU peripherals
- Integrated PA with up to 6 dBm (2.4 GHz) TX power
- Secure Boot with Root of Trust and Secure Loader (RTSL)



1. Feature List

The EFR32MG22 highlighted features are listed below.

- **Low Power Wireless System-on-Chip**
 - High Performance 32-bit 76.8 MHz ARM Cortex®-M33 with DSP instruction and floating-point unit for efficient signal processing
 - Up to 512 kB flash program memory
 - Up to 32 kB RAM data memory
 - 2.4 GHz radio operation
- **Radio Performance**
 - -102.3 dBm sensitivity @ 250 kbps O-QPSK DSSS
 - -98.9 dBm sensitivity @ 1 Mbit/s GFSK
 - -96.2 dBm sensitivity @ 2 Mbit/s GFSK
 - -106.7 dBm sensitivity @ 125 kbps GFSK
 - TX power up to 6 dBm
 - 2.6 mA radio receive current
 - 3.5 mA radio transmit current @ 0 dBm output power
 - 7.8 mA radio transmit current @ 6 dBm output power
- **Low System Energy Consumption**
 - 3.6 mA RX current (1 Mbps GFSK)
 - 3.9 mA RX current (250 kbps O-QPSK DSSS)
 - 4.1 mA TX current @ 0 dBm output power
 - 8.2 mA TX current @ 6 dBm output power
 - 26 µA/MHz in Active Mode (EM0) at 38.4 MHz
 - 1.40 µA EM2 DeepSleep current (32 kB RAM retention and RTC running from LFRCO)
 - 1.05 µA EM3 DeepSleep current (8 kB RAM retention and RTC running from ULFRCO)
- **Supported Modulation Format**
 - 2 (G)FSK with fully configurable shaping
 - OQPSK DSSS
 - (G)MSK
- **Protocol Support**
 - Bluetooth Low Energy (Bluetooth 5.2)
 - Direction finding using Angle-of-Arrival (AoA) and Angle-of-Departure (AoD)
 - Zigbee
 - Proprietary
- **Wide selection of MCU peripherals**
 - 12-bit 1 Msps SAR Analog to Digital Converter (ADC)
 - Up to 26 General Purpose I/O pins with output state retention and asynchronous interrupts
 - 8 Channel DMA Controller
 - 12 Channel Peripheral Reflex System (PRS)
 - 4 × 16-bit Timer/Counter with 3 Compare/Capture/PWM channels
 - 1 × 32-bit Timer/Counter with 3 Compare/Capture/PWM channels
 - 32-bit Real Time Counter
 - 24-bit Low Energy Timer for waveform generation
 - 1 × Watchdog Timer
 - 2 × Universal Synchronous/Asynchronous Receiver/Transmitter (UART/SPI/SmartCard (ISO 7816)/IrDA/I²S)
 - 1 × Enhanced Universal Asynchronous Receiver/Transmitter (EUSART)
 - 2 × I²C interface with SMBus support
 - Digital microphone interface (PDM)
 - Precision Low-Frequency RC Oscillator enabling single-crystal operation
 - RFSense with selective OOK mode
 - Die temperature sensor with +/-2 degree C accuracy across temperature range
- **Wide Operating Range**
 - 1.71 V to 3.8 V single power supply
 - -40 °C to 125 °C
- **Security Features**
 - Secure Boot with Root of Trust and Secure Loader (RTSL)
 - Hardware Cryptographic Acceleration for AES128/256, SHA-1, SHA-2 (up to 256-bit), ECC (up to 256-bit), ECDSA, and ECDH
 - True Random Number Generator (TRNG) compliant with NIST SP800-90 and AIS-31
 - ARM® TrustZone®
 - Secure Debug with lock/unlock
- **Packages**
 - **QFN40** 5 mm × 5 mm × 0.85 mm
 - **QFN32** 4 mm × 4 mm × 0.85 mm
 - **TQFN32** 4 mm × 4 mm × 0.30 mm

2. Ordering Information

Table 2.1. Ordering Information

Ordering Code	Protocol Stack	Max TX Power	Max CPU Speed	LFRCO	Flash (kB)	RAM (kB)	GPIO	Package	Temp Range
EFR32MG22A224F512IM40-B	<ul style="list-style-type: none"> • Zigbee • Bluetooth 5.2 • Direction finding • Proprietary 	6 dBm	76.8 MHz	Precision	512	32	26	QFN40	-40 to 125 °C
EFR32MG22C224F512GN32-C	<ul style="list-style-type: none"> • Zigbee • Bluetooth 5.2 • Direction finding • Proprietary 	6 dBm	76.8 MHz	Precision	512	32	18	TQFN32	-40 to 85 °C
EFR32MG22C224F512IM32-C	<ul style="list-style-type: none"> • Zigbee • Bluetooth 5.2 • Direction finding • Proprietary 	6 dBm	76.8 MHz	Precision	512	32	18	QFN32	-40 to 125 °C
EFR32MG22C224F512IM40-C	<ul style="list-style-type: none"> • Zigbee • Bluetooth 5.2 • Direction finding • Proprietary 	6 dBm	76.8 MHz	Precision	512	32	26	QFN40	-40 to 125 °C

LE Long Range (125 kbps and 500 kbps) PHYs are only supported on part numbers which include AoA/AoD direction-finding capability.

Table of Contents

1. Feature List	2
2. Ordering Information	3
3. System Overview	7
3.1 Introduction	7
3.2 Radio	7
3.2.1 Antenna Interface	7
3.2.2 Fractional-N Frequency Synthesizer	8
3.2.3 Receiver Architecture	8
3.2.4 Transmitter Architecture	8
3.2.5 Packet and State Trace	8
3.2.6 Data Buffering	8
3.2.7 Radio Controller (RAC)	8
3.2.8 RFSENSE Interface	9
3.3 General Purpose Input/Output (GPIO)	9
3.4 Clocking	9
3.4.1 Clock Management Unit (CMU)	9
3.4.2 Internal and External Oscillators	9
3.5 Counters/Timers and PWM	9
3.5.1 Timer/Counter (TIMER)	9
3.5.2 Low Energy Timer (LETIMER)	10
3.5.3 Real Time Clock with Capture (RTCC)	10
3.5.4 Back-Up Real Time Counter	10
3.5.5 Watchdog Timer (WDOG)	10
3.6 Communications and Other Digital Peripherals	10
3.6.1 Universal Synchronous/Asynchronous Receiver/Transmitter (USART)	10
3.6.2 Enhanced Universal Asynchronous Receiver/Transmitter (EUSART)	10
3.6.3 Inter-Integrated Circuit Interface (I ² C)	10
3.6.4 Peripheral Reflex System (PRS)	11
3.6.5 Pulse Density Modulation (PDM) Interface	11
3.7 Security Features	11
3.7.1 Standard Security	11
3.7.2 True Random Number Generator	11
3.8 Analog	11
3.8.1 Analog to Digital Converter (IADC)	11
3.9 Power	12
3.9.1 Energy Management Unit (EMU)	12
3.9.2 DC-DC Converter	12
3.9.3 Power Domains	12
3.10 Reset Management Unit (RMU)	12
3.11 Core and Memory	13
3.11.1 Processor Core	13
3.11.2 Memory System Controller (MSC)	13

3.11.3	Linked Direct Memory Access Controller (LDMA)	.13
3.12	Memory Map	.14
3.13	Configuration Summary	.15
4.	Electrical Specifications	.16
4.1	Electrical Characteristics	.16
4.2	Absolute Maximum Ratings.	.17
4.3	General Operating Conditions	.18
4.4	DC-DC Converter	.20
4.4.1	DC-DC Operating Limits	.22
4.5	Thermal Characteristics	.23
4.6	Current Consumption	.24
4.6.1	MCU current consumption using DC-DC at 3.0 V input	.24
4.6.2	MCU current consumption at 3.0 V	.26
4.6.3	MCU current consumption at 1.8 V	.28
4.6.4	Radio current consumption at 3.0V using DCDC	.30
4.7	Flash Characteristics	.32
4.8	Wake Up, Entry, and Exit times	.33
4.9	RFSENSE Low-energy Wake-on-RF	.34
4.10	2.4 GHz RF Transceiver Characteristics	.35
4.10.1	RF Transmitter Characteristics	.35
4.10.2	RF Receiver Characteristics	.42
4.11	Oscillators	.48
4.11.1	High Frequency Crystal Oscillator	.48
4.11.2	Low Frequency Crystal Oscillator	.49
4.11.3	High Frequency RC Oscillator (HFRCO)	.50
4.11.4	Fast Start_Up RC Oscillator (FSRCO)	.51
4.11.5	Precision Low Frequency RC Oscillator (LFRCO)	.52
4.11.6	Ultra Low Frequency RC Oscillator	.52
4.12	GPIO Pins (3V GPIO pins)	.53
4.13	Analog to Digital Converter (IADC)	.55
4.14	Temperature Sense	.57
4.15	Thermistor Driver Interface	.58
4.16	Brown Out Detectors	.59
4.16.1	DVDD BOD	.59
4.16.2	LE DVDD BOD	.59
4.16.3	AVDD and IOVDD BODs	.60
4.17	PDM Timing Specifications	.61
4.17.1	Pulse Density Modulator (PDM), Common DBUS	.61
4.18	USART SPI Master Timing	.62
4.18.1	SPI Master Timing, Voltage Scaling = VSCALE2.	.63
4.18.2	SPI Master Timing, Voltage Scaling = VSCALE1.	.63
4.19	USART SPI Slave Timing	.64

4.19.1	SPI Slave Timing, Voltage Scaling = VSCALE2	.64
4.19.2	SPI Slave Timing, Voltage Scaling = VSCALE1	.65
4.20	I2C Electrical Specifications	.66
4.20.1	I2C Standard-mode (Sm)	.66
4.20.2	I2C Fast-mode (Fm)	.67
4.20.3	I2C Fast-mode Plus (Fm+)	.68
4.21	Typical Performance Curves	.68
4.21.1	Supply Current	.69
4.21.2	RF Characteristics	.70
4.21.3	DC-DC Converter	.71
5.	Typical Connection Diagrams	.72
5.1	Power	.72
5.2	RF Matching Networks	.73
5.2.1	2.4 GHz 0 dBm Matching Network	.73
5.2.2	2.4 GHz 6 dBm Matching Network	.73
5.3	Other Connections.	.74
6.	Pin Definitions	.75
6.1	QFN40 Device Pinout	.75
6.2	TQFN32 Device Pinout	.77
6.3	QFN32 Device Pinout	.79
6.4	Alternate Function Table.	.80
6.5	Analog Peripheral Connectivity	.81
6.6	Digital Peripheral Connectivity	.82
7.	QFN32 Package Specifications.	.85
7.1	QFN32 Package Dimensions	.85
7.2	QFN32 PCB Land Pattern	.87
7.3	QFN32 Package Marking	.89
8.	TQFN32 Package Specifications	.90
8.1	TQFN32 Package Dimensions.	.90
8.2	TQFN32 PCB Land Pattern.	.92
8.3	TQFN32 Package Marking	.94
9.	QFN40 Package Specifications.	.95
9.1	QFN40 Package Dimensions	.95
9.2	QFN40 PCB Land Pattern	.97
9.3	QFN40 Package Marking	.98
10.	Revision History.	.99

3. System Overview

3.1 Introduction

The EFR32 product family combines an energy-friendly MCU with a high performance radio transceiver. The devices are well suited for secure connected IoT multi-protocol devices requiring high performance and low energy consumption. This section gives a short introduction to the full radio and MCU system. The detailed functional description can be found in the EFR32xG21 Reference Manual.

A block diagram of the EFR32MG22 family is shown in [Figure 3.1 Detailed EFR32MG22 Block Diagram on page 7](#). The diagram shows a superset of features available on the family, which vary by OPN. For more information about specific device features, consult [Ordering Information](#).

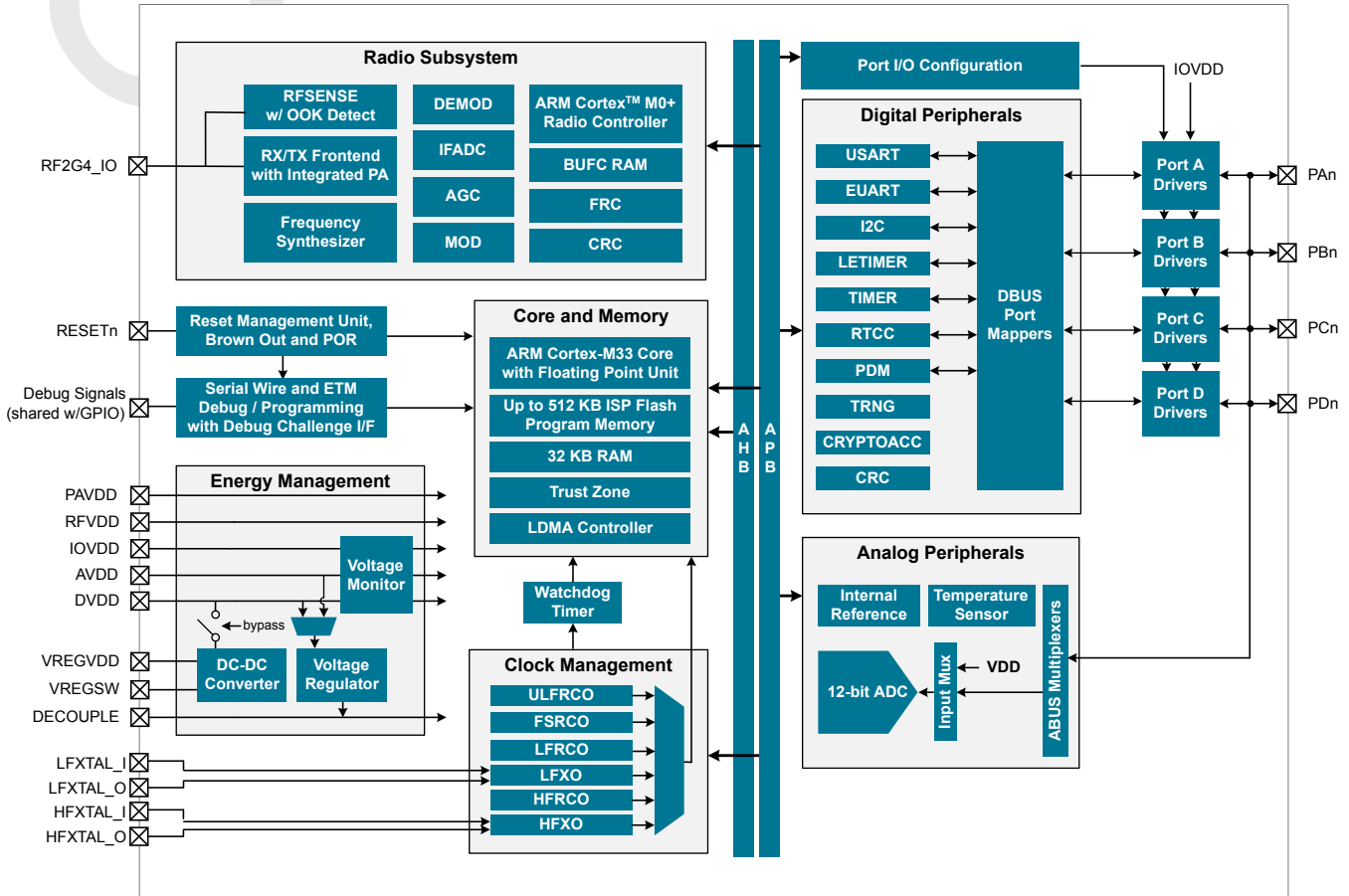


Figure 3.1. Detailed EFR32MG22 Block Diagram

3.2 Radio

The EFR32MG22 Wireless Gecko features a highly configurable radio transceiver supporting Zigbee and Bluetooth Low Energy wireless protocols.

3.2.1 Antenna Interface

The 2.4 GHz antenna interface consists of a single pin (RF2G4_IO). The external components and power supply connections for the antenna interface typical applications are shown in the RF Matching Networks section.

3.2.2 Fractional-N Frequency Synthesizer

The EFR32MG22 contains a high performance, low phase noise, fully integrated fractional-N frequency synthesizer. The synthesizer is used in receive mode to generate the LO frequency for the down-conversion mixer. It is also used in transmit mode to directly generate the modulated RF carrier.

The fractional-N architecture provides excellent phase noise performance, frequency resolution better than 100 Hz, and low energy consumption. The synthesizer's fast frequency settling allows for very short receiver and transmitter wake up times to reduce system energy consumption.

3.2.3 Receiver Architecture

The EFR32MG22 uses a low-IF receiver architecture, consisting of a Low-Noise Amplifier (LNA) followed by an I/Q down-conversion mixer. The I/Q signals are further filtered and amplified before being sampled by the IF analog-to-digital converter (IFADC).

The IF frequency is configurable from 150 kHz to 1371 kHz. The IF can further be configured for high-side or low-side injection, providing flexibility with respect to known interferers at the image frequency.

The Automatic Gain Control (AGC) module adjusts the receiver gain to optimize performance and avoid saturation for excellent selectivity and blocking performance. The 2.4 GHz radio is calibrated at production to improve image rejection performance.

Demodulation is performed in the digital domain. The demodulator performs configurable decimation and channel filtering to allow receive bandwidths ranging from 0.1 to 2530 kHz. High carrier frequency and baud rate offsets are tolerated by active estimation and compensation. Advanced features supporting high quality communication under adverse conditions include forward error correction by block and convolutional coding as well as Direct Sequence Spread Spectrum (DSSS).

A Received Signal Strength Indicator (RSSI) is available for signal quality metrics, for level-based proximity detection, and for RF channel access by Collision Avoidance (CA) or Listen Before Talk (LBT) algorithms. An RSSI capture value is associated with each received frame and the dynamic RSSI measurement can be monitored throughout reception.

3.2.4 Transmitter Architecture

The EFR32MG22 uses a direct-conversion transmitter architecture. For constant envelope modulation formats, the modulator controls phase and frequency modulation in the frequency synthesizer. Transmit symbols or chips are optionally shaped by a digital shaping filter. The shaping filter is fully configurable, including the BT product, and can be used to implement Gaussian or Raised Cosine shaping.

Carrier Sense Multiple Access - Collision Avoidance (CSMA-CA) or Listen Before Talk (LBT) algorithms can be automatically timed by the EFR32MG22. These algorithms are typically defined by regulatory standards to improve inter-operability in a given bandwidth between devices that otherwise lack synchronized RF channel access.

3.2.5 Packet and State Trace

The EFR32MG22 Frame Controller has a packet and state trace unit that provides valuable information during the development phase. It features:

- Non-intrusive trace of transmit data, receive data and state information
- Data observability on a single-pin UART data output, or on a two-pin SPI data output
- Configurable data output bitrate / baudrate
- Multiplexed transmitted data, received data and state / meta information in a single serial data stream

3.2.6 Data Buffering

The EFR32MG22 features an advanced Radio Buffer Controller (BUFC) capable of handling up to 4 buffers of adjustable size from 64 bytes to 4096 bytes. Each buffer can be used for RX, TX or both. The buffer data is located in RAM, enabling zero-copy operations.

3.2.7 Radio Controller (RAC)

The Radio Controller controls the top level state of the radio subsystem in the EFR32MG22. It performs the following tasks:

- Precisely-timed control of enabling and disabling of the receiver and transmitter circuitry
- Run-time calibration of receiver, transmitter and frequency synthesizer
- Detailed frame transmission timing, including optional LBT or CSMA-CA

3.2.8 RFSENSE Interface

The RFSENSE block allows the device to remain in EM2, EM3 or EM4 and wake when RF energy above a specified threshold is detected. When operated in selective mode, the RFSENSE block performs OOK preamble and sync word detection, preventing false wake-up events.

3.3 General Purpose Input/Output (GPIO)

EFR32MG22 has up to 26 General Purpose Input/Output pins. Each GPIO pin can be individually configured as either an output or input. More advanced configurations including open-drain, open-source, and glitch-filtering can be configured for each individual GPIO pin. The GPIO pins can be overridden by peripheral connections, like SPI communication. Each peripheral connection can be routed to several GPIO pins on the device. The input value of a GPIO pin can be routed through the Peripheral Reflex System to other peripherals. The GPIO subsystem supports asynchronous external pin interrupts.

All of the pins on ports A and port B are EM2 capable. These pins may be used by Low-Energy peripherals in EM2/3 and may also be used as EM2/3 pin wake-ups. Pins on ports C and D are latched/retained in their current state when entering EM2 until EM2 exit upon which internal peripherals could once again drive those pads.

A few GPIOs also have EM4 wake functionality. These pins are listed in the Alternate Function Table.

3.4 Clocking

3.4.1 Clock Management Unit (CMU)

The Clock Management Unit controls oscillators and clocks in the EFR32MG22. Individual enabling and disabling of clocks to all peripheral modules is performed by the CMU. The CMU also controls enabling and configuration of the oscillators. A high degree of flexibility allows software to optimize energy consumption in any specific application by minimizing power dissipation in unused peripherals and oscillators.

3.4.2 Internal and External Oscillators

The EFR32MG22 supports two crystal oscillators and fully integrates four RC oscillators, listed below.

- A high frequency crystal oscillator (HFXO) with integrated load capacitors, tunable in small steps, provides a precise timing reference for the MCU. The HFXO provides excellent RF clocking performance using a 38.4 MHz crystal. The HFXO can also support an external clock source such as a TCXO for applications that require an extremely accurate clock frequency over temperature.
- A 32.768 kHz crystal oscillator (LFXO) provides an accurate timing reference for low energy modes.
- An integrated high frequency RC oscillator (HFRCO) is available for the MCU system, when crystal accuracy is not required. The HFRCO employs fast start-up at minimal energy consumption combined with a wide frequency range, from 1 MHz to 76.8 MHz.
- An integrated fast start-up RC oscillator (FSRCO) that runs at a fixed 20 MHz
- An integrated low frequency 32.768 kHz RC oscillator (LFRCO) for low power operation without an external crystal. Precision mode enables periodic recalibration against the 38.4 MHz HFXO crystal to improve accuracy to +/- 500 ppm, suitable for BLE sleep interval timing.
- An integrated ultra-low frequency 1 kHz RC oscillator (ULFRCO) is available to provide a timing reference at the lowest energy consumption in low energy modes.

3.5 Counters/Timers and PWM

3.5.1 Timer/Counter (TIMER)

TIMER peripherals keep track of timing, count events, generate PWM outputs and trigger timed actions in other peripherals through the Peripheral Reflex System (PRS). The core of each TIMER is a 16-bit or 32-bit counter with up to 3 compare/capture channels. Each channel is configurable in one of three modes. In capture mode, the counter state is stored in a buffer at a selected input event. In compare mode, the channel output reflects the comparison of the counter to a programmed threshold value. In PWM mode, the TIMER supports generation of pulse-width modulation (PWM) outputs of arbitrary waveforms defined by the sequence of values written to the compare registers. In addition some timers offer dead-time insertion.

See [3.13 Configuration Summary](#) for information on the feature set of each timer.

3.5.2 Low Energy Timer (LETIMER)

The unique LETIMER is a 24-bit timer that is available in energy mode EM0 Active, EM1 Sleep, EM2 Deep Sleep, and EM3 Stop. This allows it to be used for timing and output generation when most of the device is powered down, allowing simple tasks to be performed while the power consumption of the system is kept at an absolute minimum. The LETIMER can be used to output a variety of waveforms with minimal software intervention. The LETIMER is connected to the Peripheral Reflex System (PRS), and can be configured to start counting on compare matches from other peripherals such as the RTCC.

3.5.3 Real Time Clock with Capture (RTCC)

The Real Time Clock with Capture (RTCC) is a 32-bit counter providing timekeeping down to EM3. The RTCC can be clocked by any of the on-board low-frequency oscillators, and it is capable of providing system wake-up at user defined intervals.

A secondary RTC is used by the RF protocol stack for event scheduling, leaving the primary RTCC block available exclusively for application software.

3.5.4 Back-Up Real Time Counter

The Back-Up Real Time Counter (BURTC) is a 32-bit counter providing timekeeping in all energy modes, including EM4. The BURTC can be clocked by any of the on-board low-frequency oscillators, and it is capable of providing system wake-up at user defined intervals.

3.5.5 Watchdog Timer (WDOG)

The watchdog timer can act both as an independent watchdog or as a watchdog synchronous with the CPU clock. It has windowed monitoring capabilities, and can generate a reset or different interrupts depending on the failure mode of the system. The watchdog can also monitor autonomous systems driven by the Peripheral Reflex System (PRS).

3.6 Communications and Other Digital Peripherals

3.6.1 Universal Synchronous/Asynchronous Receiver/Transmitter (USART)

The Universal Synchronous/Asynchronous Receiver/Transmitter is a flexible serial I/O module. It supports full duplex asynchronous UART communication with hardware flow control as well as RS-485, SPI, MicroWire and 3-wire. It can also interface with devices supporting:

- ISO7816 SmartCards
- IrDA
- I²S

3.6.2 Enhanced Universal Asynchronous Receiver/Transmitter (EUSART)

The Enhanced Universal Asynchronous Receiver/Transmitter supports full duplex asynchronous UART communication with hardware flow control, RS-485, and IrDA support. In EM0 and EM1 the EUSART provides a high-speed, buffered communication interface.

When routed to GPIO ports A or B, the EUSART may also be used in a low-energy mode and operate in EM2. A 32.768 kHz clock source allows full duplex UART communication up to 9600 baud.

3.6.3 Inter-Integrated Circuit Interface (I²C)

The I²C module provides an interface between the MCU and a serial I²C bus. It is capable of acting as both a master and a slave and supports multi-master buses. Standard-mode, fast-mode and fast-mode plus speeds are supported, allowing transmission rates from 10 kbit/s up to 1 Mbit/s. Slave arbitration and timeouts are also available, allowing implementation of an SMBus-compliant system. The interface provided to software by the I²C module allows precise timing control of the transmission process and highly automated transfers. Automatic recognition of slave addresses is provided in active and low energy modes. Note that not all instances of I²C are available in all energy modes.

3.6.4 Peripheral Reflex System (PRS)

The Peripheral Reflex System provides a communication network between different peripheral modules without software involvement. Peripheral modules producing Reflex signals are called producers. The PRS routes Reflex signals from producers to consumer peripherals which in turn perform actions in response. Edge triggers and other functionality such as simple logic operations (AND, OR, NOT) can be applied by the PRS to the signals. The PRS allows peripherals to act autonomously without waking the MCU core, saving power.

3.6.5 Pulse Density Modulation (PDM) Interface

The PDM module provides a serial interface and decimation filter for Pulse Density Modulation (PDM) microphones, isolated Sigma-delta ADCs, digital sensors and other PDM or sigma delta bit stream peripherals. A programmable Cascaded Integrator Comb (CIC) filter is used to decimate the incoming bit streams. PDM supports stereo or mono input data and DMA transfer.

3.7 Security Features

3.7.1 Standard Security

Standard Security includes the following features:

- Cryptographic Accelerator with Standard Ciphers
- True Random Number Generator

The Cryptographic Accelerator is a fast and energy-efficient autonomous hardware accelerator for advanced cryptographic ciphers.

The standard security devices support AES encryption and decryption with 128/192/256-bit keys, ECC over both GF(P) and GF(2^m), SHA-1 and SHA-2 (SHA-224 and SHA-256).

Supported block cipher modes of operation for AES include: ECB, CTR, CBC, PCBC, CFB, OFB, GCM, CBC-MAC, GMAC and CCM.

The Cryptographic Accelerator accelerates Elliptical Curve Cryptography and supports the NIST recommended curves including P-192, P-224, P-256, K-163, K-233, B-163 and B-233.

The cryptographic accelerator supports ECDH (Elliptic Curve Diffie-Hellman) and ECDSA (Elliptic Curve Digital Signing Algorithm). These functions provide a fast and energy efficient solution for public key cryptography key exchange and digital signatures.

3.7.2 True Random Number Generator

The True Random Number Generator module is a non-deterministic random number generator that harvests entropy from a thermal energy source. It includes start-up health tests for the entropy source as required by NIST SP800-90B and AIS-31 as well as online health tests required for NIST SP800-90C.

The TRNG is suitable for periodically generating entropy to seed an approved pseudo random number generator.

3.8 Analog

3.8.1 Analog to Digital Converter (IADC)

The IADC is a hybrid architecture combining techniques from both SAR and Delta-Sigma style converters. It has a resolution of up to 12 bits at up to 1 Msps. Hardware oversampling reduces system-level noise over multiple front-end samples. The IADC includes integrated voltage references. Inputs are selectable from a wide range of sources, including pins configurable as either single-ended or differential.

3.9 Power

The EFR32MG22 has an Energy Management Unit (EMU) and efficient integrated regulators to generate internal supply voltages. Only a single external supply voltage is required, from which all internal voltages are created. An optional integrated DC-DC buck regulator can be utilized to further reduce the current consumption. The DC-DC regulator requires one external inductor and one external capacitor.

The EFR32MG22 device family includes support for internal supply voltage scaling, as well as two different power domains groups for peripherals. These enhancements allow for further supply current reductions and lower overall power consumption.

3.9.1 Energy Management Unit (EMU)

The Energy Management Unit manages transitions of energy modes in the device. Each energy mode defines which peripherals and features are available and the amount of current the device consumes. The EMU can also be used to turn off the power to unused RAM blocks, and it contains control registers for the DC-DC regulator.

3.9.2 DC-DC Converter

The DC-DC buck converter covers a wide range of load currents, provides high efficiency in energy modes EM0, EM1, EM2 and EM3, and can supply up to 60 mA for device and radio operation. RF noise mitigation allows operation of the DC-DC converter without significantly degrading sensitivity of radio components. An on-chip supply-monitor signals when the supply voltage is low to allow bypass of the regulator via programmable software interrupt. It employs soft switching at boot and DCDC regulating-to-bypass transitions to limit the max supply slew-rate and mitigate inrush current.

3.9.3 Power Domains

The EFR32MG22 has three peripheral power domains for operation in EM2 and EM3, as well as the ability to selectively retain configurations for EM0/EM1 peripherals. A small set of peripherals always remain powered on in EM2 and EM3, including all peripherals which are available in EM4. If all of the peripherals in PD0B or PD0C are configured as unused, that power domain will be powered off in EM2 or EM3, reducing the overall current consumption of the device. Likewise, if the application can tolerate the setup time to re-configure used EM0/EM1 peripherals on wake, register retention for these peripherals can be disabled to further reduce the EM2 or EM3 current.

Table 3.1. Peripheral Power Subdomains

Always available in EM2/EM3	Power Domain PD0B	Power Domain PD0C
RTCC	LETIMER0	LFRCO (Precision Mode)
LFRCO (Non-precision mode) ¹	IADC0	
LFXO ¹	I2C0	
BURTC ¹	WDOG0	
RFSENSE ¹	EUART0	
ULFRCO ¹	PRS	
FSRCO	DEBUG	
Note: 1. Peripheral also available in EM4.		

3.10 Reset Management Unit (RMU)

The RMU is responsible for handling reset of the EFR32MG22. A wide range of reset sources are available, including several power supply monitors, pin reset, software controlled reset, core lockup reset, and watchdog reset.

3.11 Core and Memory

3.11.1 Processor Core

The ARM Cortex-M processor includes a 32-bit RISC processor integrating the following features and tasks in the system:

- ARM Cortex-M33 RISC processor achieving 1.50 Dhrystone MIPS/MHz
- ARM TrustZone security technology
- Embedded Trace Macrocell (ETM) for real-time trace and debug
- Up to 512 kB flash program memory
- Up to 32 kB RAM data memory
- Configuration and event handling of all modules
- 2-pin Serial-Wire debug interface

3.11.2 Memory System Controller (MSC)

The Memory System Controller (MSC) is the program memory unit of the microcontroller. The flash memory is readable and writable from both the Cortex-M and DMA. In addition to the main flash array where Program code is normally written the MSC also provides an Information block where additional information such as special user information or flash-lock bits are stored. There is also a read-only page in the information block containing system and device calibration data. Read and write operations are supported in energy modes EM0 Active and EM1 Sleep.

3.11.3 Linked Direct Memory Access Controller (LDMA)

The Linked Direct Memory Access (LDMA) controller allows the system to perform memory operations independently of software. This reduces both energy consumption and software workload. The LDMA allows operations to be linked together and staged, enabling sophisticated operations to be implemented.

3.12 Memory Map

The EFR32MG22 memory map is shown in the figures below. RAM and flash sizes are for the largest memory configuration.

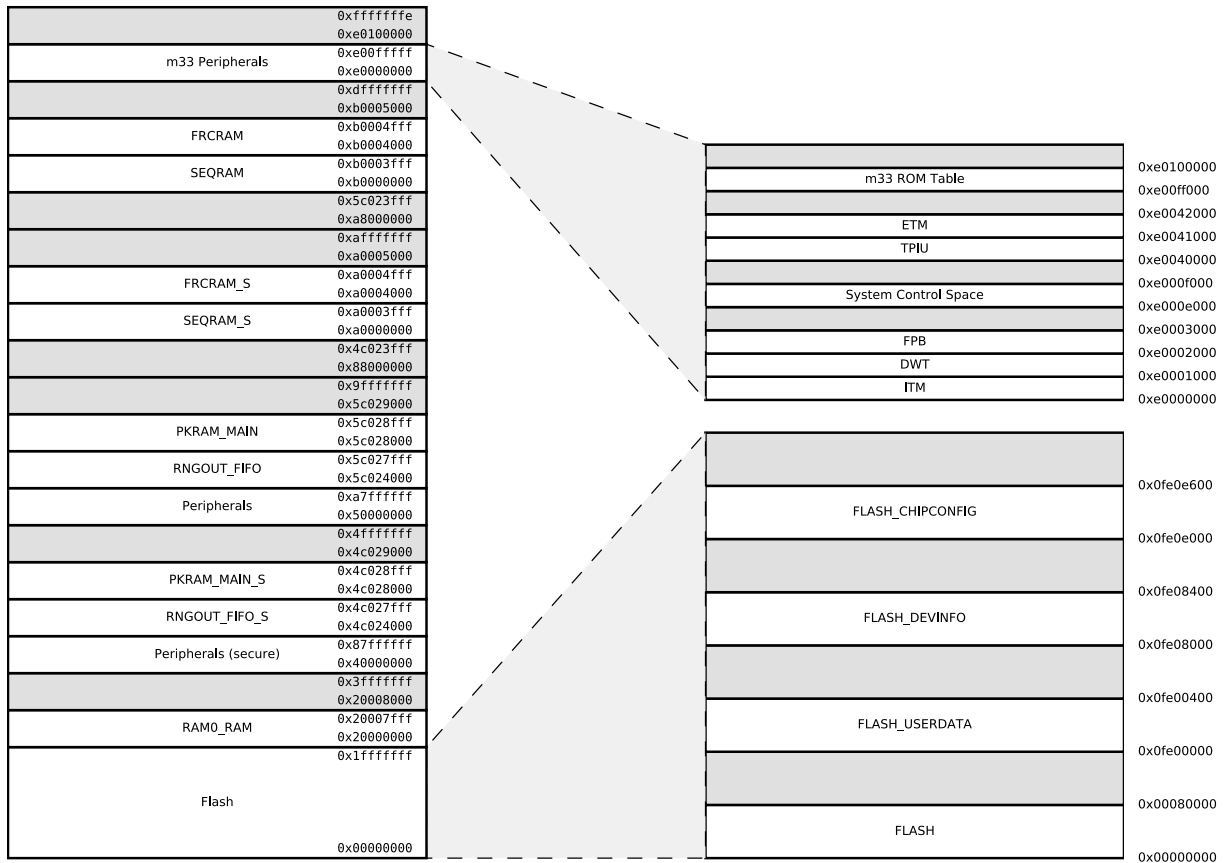


Figure 3.2. EFR32MG22 Memory Map — Core Peripherals and Code Space

3.13 Configuration Summary

The features of the EFR32MG22 are a subset of the feature set described in the device reference manual. The table below describes device specific implementation of the features. Remaining modules support full configuration.

Table 3.2. Configuration Summary

Module	Lowest Energy Mode	Configuration
I2C0	EM2 ¹	
I2C1	EM1	
IADC0	EM2	
LETIMER0	EM2 ¹	
PDM	EM1	2-channel
TIMER0	EM1	32-bit, 3-channels, +DTI
TIMER1	EM1	16-bit, 3-channels, +DTI
TIMER2	EM1	16-bit, 3-channels, +DTI
TIMER3	EM1	16-bit, 3-channels, +DTI
TIMER4	EM1	16-bit, 3-channels, +DTI
EUART0	EM1 - Full high-speed operation EM2 ¹ - Low-energy operation, 9600 Baud	
USART0	EM1	+IrDA, +I2S, +SmartCard
USART1	EM1	+IrDA, +I2S, +SmartCard
Note: 1. EM2 and EM3 operation is only supported for digital peripheral I/O on Port A and Port B. All GPIO ports support digital peripheral operation in EM0 and EM1.		

4. Electrical Specifications

4.1 Electrical Characteristics

All electrical parameters in all tables are specified under the following conditions, unless stated otherwise:

- Typical values are based on $T_A=25\text{ }^\circ\text{C}$ and all supplies at 3.0 V, by production test and/or technology characterization.
- Radio performance numbers are measured in conducted mode, based on Silicon Laboratories reference designs using output power-specific external RF impedance-matching networks for interfacing to a 50 Ω antenna.
- Minimum and maximum values represent the worst conditions across supply voltage, process variation, and operating temperature, unless stated otherwise.

When assigning supply sources, the following requirements must be observed:

- $V_{REGVDD} \geq DVDD$
 - In systems not using the DCDC converter, DVDD should be shorted to VREGVDD
- $PAVDD \geq RFVDD$
- AVDD and IOVDD: No dependency with each other or any other supply pin

4.2 Absolute Maximum Ratings

Stresses beyond those listed below may cause permanent damage to the device. This is a stress rating only and functional operation of the devices at those or any other conditions beyond those indicated in the operation listings of this specification is not implied. Exposure to maximum rating conditions for extended periods may affect device reliability. For more information on the available quality and reliability data, see the Quality and Reliability Monitor Report at <http://www.silabs.com/support/quality/pages/default.aspx>.

Table 4.1. Absolute Maximum Ratings

Parameter	Symbol	Test Condition	Min	Typ	Max	Unit
Storage temperature range	T _{STG}		-50	—	+150	°C
Voltage on any supply pin ¹	V _{DDMAX}		-0.3	—	3.8	V
Junction temperature	T _{JMAX}	-G grade	—	—	+105	°C
		-I grade	—	—	+125	°C
Voltage ramp rate on any supply pin	V _{DDRAMP} MAX		—	—	1.0	V / μs
Voltage on HFXO pins	V _{HFXO} PIN		-0.3	—	1.4	V
DC voltage on any GPIO pin	V _{DIG} PIN		-0.3	—	V _{IOVDD} + 0.3	V
DC voltage on RESETn pin	V _{RESETn}		-0.3	—	3.8	V
Absolute voltage on RF pins RF2G4_IOx	V _{MAX2G4}		-0.3	—	+3.3	V
Total current into VDD power lines	I _{VDD} MAX	Source	—	—	200	mA
Total current into VSS ground lines	I _{VSS} MAX	Sink	—	—	200	mA
Current per I/O pin	I _{IO} MAX	Sink	—	—	50	mA
		Source	—	—	50	mA
Current for all I/O pins	I _{IOALL} MAX	Sink	—	—	200	mA
		Source	—	—	200	mA
Note:						
1. The maximum supply voltage on VREGVDD is limited under certain conditions when using the DC-DC. See the DC-DC specifications for more details.						

4.3 General Operating Conditions

Table 4.2. General Operating Conditions

Parameter	Symbol	Test Condition	Min	Typ	Max	Unit
Operating ambient temperature range	T_A	-G temperature grade ¹	-40	—	+85	°C
		-I temperature grade ¹	-40	—	+125	°C
DVDD supply voltage	V_{DVDD}	EM0/1	1.71	3.0	3.8	V
		EM2/3/4 ²	1.71	3.0	3.8	V
AVDD supply voltage	V_{AVDD}		1.71	3.0	3.8	V
IOVDDx operating supply voltage (All IOVDD pins)	V_{IOVDDx}		1.71	3.0	3.8	V
PAVDD operating supply voltage	V_{PAVDD}		1.71	3.0	3.8	V
VREGVDD operating supply voltage	$V_{VREGVDD}$	DC-DC in regulation ³	2.2	3.0	3.8	V
		DC-DC in bypass 60 mA load	1.8	3.0	3.8	V
		DC-DC not in use. DVDD externally shorted to VREGVDD	1.71	3.0	3.8	V
RFVDD operating supply voltage	V_{RFVDD}		1.71	3.0	V_{PAVDD}	V
DECOUPLE output capacitor ⁴	$C_{DECOUPLE}$	1.0 μ F \pm 10% X8L capacitor used for performance characterization.	1.0	—	2.75	μ F
HCLK and SYSCLK frequency	f_{HCLK}	VSCALE2, MODE = WS1	—	—	76.8	MHz
		VSCALE2, MODE = WS0	—	—	40	MHz
		VSCALE1, MODE = WS0	—	—	40	MHz
PCLK frequency	f_{PCLK}	VSCALE2	—	—	50	MHz
		VSCALE1	—	—	40	MHz
EM01 Group A clock frequency	$f_{EM01GRPACLK}$	VSCALE2	—	—	76.8	MHz
		VSCALE1	—	—	40	MHz
EM01 Group B clock frequency	$f_{EM01GRPBCLK}$	VSCALE2	—	—	76.8	MHz
		VSCALE1	—	—	40	MHz
Radio HCLK frequency ⁵	f_{RHCLK}	VSCALE2 or VSCALE1	—	38.4	—	MHz

Parameter	Symbol	Test Condition	Min	Typ	Max	Unit
-----------	--------	----------------	-----	-----	-----	------

Note:

1. The device may operate continuously at the maximum allowable ambient T_A rating as long as the absolute maximum T_{JMAX} is not exceeded. For an application with significant power dissipation, the allowable T_A may be lower than the maximum T_A rating. $T_A = T_{JMAX} - (\text{THETA}_{JA} \times \text{PowerDissipation})$. Refer to the Absolute Maximum Ratings table and the Thermal Characteristics table for T_{JMAX} and THETA_{JA} .
2. The DVDD supply is monitored by the DVDD BOD in EM0/1 and the LE DVDD BOD in EM2/3/4.
3. The maximum supply voltage on VREGVDD is limited under certain conditions when using the DC-DC. See the DC-DC specifications for more details.
4. Murata GCM21BL81C105KA58L used for performance characterization. Actual capacitor values can be significantly de-rated from their specified nominal value by the rated tolerance, as well as the application's AC voltage, DC bias, and temperature. The minimum capacitance counting all error sources should be no less than 0.6 μF .
5. The recommended radio crystal frequency is 38.4 MHz. Any crystal frequency other than 38.4 is expressly not supported. See HFXO specifications for more detail on crystal tolerance.

4.4 DC-DC Converter

Test conditions: $L_{DCDC} = 2.2 \mu\text{H}$ (Samsung CIG22H2R2MNE), $C_{DCDC} = 4.7 \mu\text{F}$ (Samsung CL10B475KQ8NQNQC), $V_{VREGVDD} = 3.0 \text{ V}$, $V_{OUT} = 1.8 \text{ V}$, IPKVAL in EM0/1 modes is set to 150 mA, and in EM2/3 modes is set to 90 mA, unless otherwise indicated.

Table 4.3. DC-DC Converter

Parameter	Symbol	Test Condition	Min	Typ	Max	Unit
Input voltage range at VREGVDD pin ¹	V _{VREGVDD}	DCDC in regulation, I _{LOAD} = 60 mA, EM0/EM1 mode	2.2	3.0	3.8*	V
		DCDC in regulation, I _{LOAD} = 5 mA, EM0/EM1 or EM2/EM3 mode	1.8	3.0	3.8*	V
		Bypass mode	1.8	3.0	3.8	V
Regulated output voltage	V _{OUT}		—	1.8	—	V
Regulation DC accuracy	ACC _{DC}	V _{VREGVDD} ≥ 2.2 V, Steady state in EM0/EM1 mode or EM2/EM3 mode	TBD	—	TBD	%
Regulation total accuracy	ACC _{TOT}	With mode transitions between EM0/EM1 and EM2/EM3 modes	TBD	—	TBD	%
Steady-state output ripple	V _R	I _{LOAD} = 20 mA in EM0/EM1 mode	—	14.3	—	mVpp
DC line regulation	V _{REG}	I _{LOAD} = 60 mA in EM0/EM1 mode, V _{VREGVDD} ≥ 2.2 V	—	5.5	—	mV/V
DC load regulation	I _{REG}	Load current between 100 μA and 60 mA in EM0/EM1 mode	—	0.27	—	mV/mA
Efficiency	EFF	Load current between 100 μA and 60 mA in EM0/EM1 mode, or between 10 μA and 5 mA in EM2/EM3 mode	—	91	—	%
Output load current	I _{LOAD}	EM0/EM1 mode, DCDC in regulation	—	—	60	mA
		EM2/EM3 mode, DCDC in regulation	—	—	5	mA
		Bypass mode	—	—	60	mA
Nominal output capacitor	C _{DCDC}	4.7 μF ± 10% X7R capacitor used for performance characterization ²	4.7	—	10	μF
Nominal inductor	L _{DCDC}	± 20% tolerance	—	2.2	—	μH
Nominal input capacitor	C _{IN}		C _{DCDC}	—	—	μF
Resistance in bypass mode	R _{BYP}	Bypass switch from VREGVDD to DVDD, V _{VREGVDD} = 1.8 V	—	1.75	3	Ω
		Powertrain PFET switch from VREGVDD to VREGSW, V _{VREGVDD} = 1.8 V	—	0.86	1.5	Ω
Supply monitor threshold programming range	V _{CMP_RNG}	Programmable in 0.1 V steps	2.0	—	2.3	V
Supply monitor threshold accuracy	V _{CMP_ACC}	Supply falling edge trip point	TBD	—	TBD	%

Parameter	Symbol	Test Condition	Min	Typ	Max	Unit
Bypass comparator threshold hysteresis	$V_{\text{CMP_HYST}}$	Positive hysteresis on the supply rising edge referred to the falling edge trip point	—	4	—	%
Bypass comparator response time	$t_{\text{CMP_DELAY}}$	Supply falling edge at -100 mV / μs	—	0.6	—	μs

Note:

- The supported maximum V_{REGVDD} in regulation mode is a function of temperature and 10-year lifetime average load current. See more details in [4.4.1 DC-DC Operating Limits](#).
- Samsung CL10B475KQ8NQNC used for performance characterization. Actual capacitor values can be significantly de-rated from their specified nominal value by the rated tolerance, as well as the application's AC voltage, DC bias, and temperature. The minimum capacitance counting all error sources should be no less than 2.4 μF .

4.4.1 DC-DC Operating Limits

The maximum supported voltage on the VREGVDD supply pin is limited under certain conditions. Maximum input voltage is a function of temperature and the average load current over a 10-year lifetime. [Figure 4.1 Lifetime average load current limit vs. Maximum input voltage on page 22](#) shows the safe operating region under specific conditions. Exceeding this safe operating range may impact the reliability and performance of the DC-DC converter.

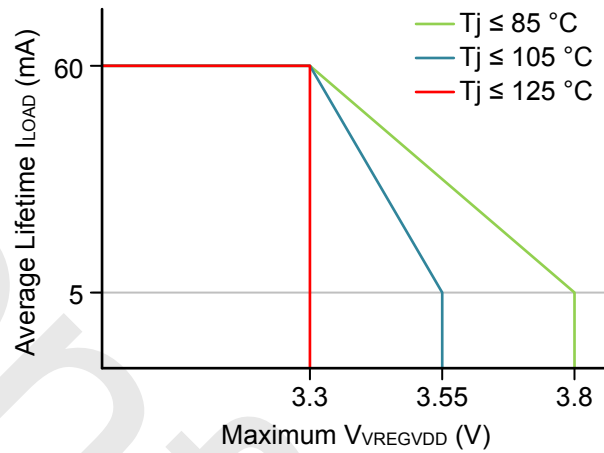


Figure 4.1. Lifetime average load current limit vs. Maximum input voltage

The minimum input voltage for the DC-DC in EM0/EM1 mode is a function of the maximum load current, and the peak current setting. [Figure 4.2 Transient maximum load current vs. Minimum input voltage on page 22](#) shows the max load current vs. input voltage for different DC-DC peak inductor current settings.

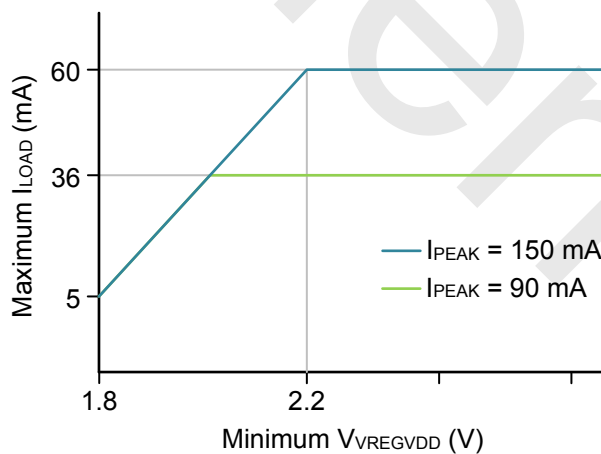


Figure 4.2. Transient maximum load current vs. Minimum input voltage

4.5 Thermal Characteristics

Table 4.4. Thermal Characteristics

Parameter	Symbol	Test Condition	Min	Typ	Max	Unit
Thermal Resistance Junction to Ambient QFN32 (4x4mm) Package	THE-TA _{JA_QFN32_4X4}	2-Layer PCB, Natural Convection ¹	—	TBD	—	°C/W
		4-Layer PCB, Natural Convection ¹	—	TBD	—	°C/W
Thermal Resistance Junction to Case QFN32 (4x4mm) Package	THE-TA _{JC_QFN32_4X4}	2-Layer PCB, Natural Convection ¹	—	TBD	—	°C/W
		4-Layer PCB, Natural Convection ¹	—	TBD	—	°C/W
Thermal Resistance Junction to Ambient TQFN32 (4x4mm) Package	THE-TA _{JA_TQFN32_4X4}	2-Layer PCB, Natural Convection ¹	—	TBD	—	°C/W
		4-Layer PCB, Natural Convection ¹	—	TBD	—	°C/W
Thermal Resistance Junction to Case TQFN32 (4x4mm) Package	THE-TA _{JC_TQFN32_4X4}	2-Layer PCB, Natural Convection ¹	—	TBD	—	°C/W
		4-Layer PCB, Natural Convection ¹	—	TBD	—	°C/W
Thermal Resistance, Junction to Ambient, QFN40 (5x5mm) Package	THE-TA _{JA_QFN40_5X5}	2-Layer PCB, Natural Convection ¹	—	TBD	—	°C/W
		4-Layer PCB, Natural Convection ¹	—	TBD	—	°C/W
Thermal Resistance, Junction to Case, QFN40 (5x5mm) Package	THE-TA _{JC_QFN40_5X5}	2-Layer PCB, Natural Convection ¹	—	TBD	—	°C/W
		4-Layer PCB, Natural Convection ¹	—	TBD	—	°C/W
Note:						
1. Measured according to JEDEC standard JESD51-2A. Integrated Circuit Thermal Test Method Environmental Conditions - Natural Convection (Still Air).						

4.6 Current Consumption

4.6.1 MCU current consumption using DC-DC at 3.0 V input

Unless otherwise indicated, typical conditions are: VREGVDD = 3.0 V. AVDD = DVDD = IOVDD = RFVDD = PAVDD = 1.8 V from DC-DC. Voltage scaling level = VSCALE1. $T_A = 25\text{ }^\circ\text{C}$. Minimum and maximum values in this table represent the worst conditions across process variation at $T_A = 25\text{ }^\circ\text{C}$.

Table 4.5. MCU current consumption using DC-DC at 3.0 V input

Parameter	Symbol	Test Condition	Min	Typ	Max	Unit
Current consumption in EM0 mode with all peripherals disabled	I_{ACTIVE}	76.8 MHz HFRCO w/ DPLL referenced to 38.4 MHz crystal, CPU running Prime from flash, VSCALE2	—	28	—	$\mu\text{A}/\text{MHz}$
		76.8 MHz HFRCO w/ DPLL referenced to 38.4 MHz crystal, CPU running while loop from flash, VSCALE2	—	27	—	$\mu\text{A}/\text{MHz}$
		76.8 MHz HFRCO w/ DPLL referenced to 38.4 MHz crystal, CPU running CoreMark loop from flash, VSCALE2	—	37	—	$\mu\text{A}/\text{MHz}$
		38.4 MHz crystal, CPU running Prime from flash	—	28	—	$\mu\text{A}/\text{MHz}$
		38.4 MHz crystal, CPU running while loop from flash	—	26	—	$\mu\text{A}/\text{MHz}$
		38.4 MHz crystal, CPU running CoreMark loop from flash	—	38	—	$\mu\text{A}/\text{MHz}$
		38 MHz HFRCO, CPU running while loop from flash	—	22	—	$\mu\text{A}/\text{MHz}$
		26 MHz HFRCO, CPU running while loop from flash	—	24	—	$\mu\text{A}/\text{MHz}$
		16 MHz HFRCO, CPU running while loop from flash	—	27	—	$\mu\text{A}/\text{MHz}$
		1 MHz HFRCO, CPU running while loop from flash	—	159	—	$\mu\text{A}/\text{MHz}$
Current consumption in EM1 mode with all peripherals disabled	I_{EM1}	76.8 MHz HFRCO w/ DPLL referenced to 38.4 MHz crystal, VSCALE2	—	17	—	$\mu\text{A}/\text{MHz}$
		38.4 MHz crystal	—	17	—	$\mu\text{A}/\text{MHz}$
		38 MHz HFRCO	—	13	—	$\mu\text{A}/\text{MHz}$
		26 MHz HFRCO	—	15	—	$\mu\text{A}/\text{MHz}$
		16 MHz HFRCO	—	18	—	$\mu\text{A}/\text{MHz}$
		1 MHz HFRCO	—	150	—	$\mu\text{A}/\text{MHz}$

Parameter	Symbol	Test Condition	Min	Typ	Max	Unit
Current consumption in EM2 mode, VSCALE0	I _{EM2_VS}	Full RAM retention and RTC running from LFXO	—	1.40	—	μA
		Full RAM retention and RTC running from LFRCO	—	1.40	—	μA
		Full RAM retention and RTC running from LFRCO in precision mode	—	1.75	—	μA
		24 kB RAM retention and RTC running from LFXO	—	1.32	—	μA
		24 kB RAM retention and RTC running from LFRCO in precision mode	—	1.66	—	μA
		8 kB RAM retention and RTC running from LFXO	—	1.21	—	μA
		8 kB RAM retention and RTC running from LFRCO	—	1.20	—	μA
		8 kB RAM retention and RTC running from LFXO, Radio RAM and CPU cache not retained	—	1.03	—	μA
Current consumption in EM3 mode, VSCALE0	I _{EM3_VS}	8 kB RAM retention and RTC running from ULFRCO	—	1.05	—	μA
Additional current in EM2 or EM3 when any peripheral in PD0B is enabled ¹	I _{PD0B_VS}		—	0.37	—	μA
Note: 1. Extra current consumed by power domain. Does not include current associated with the enabled peripherals. See for a list of the peripherals in each power domain.						

4.6.2 MCU current consumption at 3.0 V

Unless otherwise indicated, typical conditions are: AVDD = DVDD = RFVDD = PAVDD = VREGVDD = 3.0 V. DC-DC not used. Voltage scaling level = VSCALE1. T_A = 25 °C. Minimum and maximum values in this table represent the worst conditions across process variation at T_A = 25 °C.

Table 4.6. MCU current consumption at 3.0 V

Parameter	Symbol	Test Condition	Min	Typ	Max	Unit
Current consumption in EM0 mode with all peripherals disabled	I _{ACTIVE}	76.8 MHz HFRCO w/ DPLL referenced to 38.4 MHz crystal, CPU running Prime from flash, VSCALE2	—	42	—	μA/MHz
		76.8 MHz HFRCO w/ DPLL referenced to 38.4 MHz crystal, CPU running while loop from flash, VSCALE2	—	39	TBD	μA/MHz
		76.8 MHz HFRCO w/ DPLL referenced to 38.4 MHz crystal, CPU running CoreMark loop from flash, VSCALE2	—	54	—	μA/MHz
		38.4 MHz crystal, CPU running Prime from flash	—	40	—	μA/MHz
		38.4 MHz crystal, CPU running while loop from flash	—	39	—	μA/MHz
		38.4 MHz crystal, CPU running CoreMark loop from flash	—	55	—	μA/MHz
		38 MHz HFRCO, CPU running while loop from flash	—	33	TBD	μA/MHz
		26 MHz HFRCO, CPU running while loop from flash	—	35	—	μA/MHz
		16 MHz HFRCO, CPU running while loop from flash	—	40	—	μA/MHz
		1 MHz HFRCO, CPU running while loop from flash	—	228	TBD	μA/MHz
Current consumption in EM1 mode with all peripherals disabled	I _{EM1}	76.8 MHz HFRCO w/ DPLL referenced to 38.4 MHz crystal, VSCALE2	—	24	TBD	μA/MHz
		38.4 MHz crystal	—	25	TBD	μA/MHz
		38 MHz HFRCO	—	19	—	μA/MHz
		26 MHz HFRCO	—	21	—	μA/MHz
		16 MHz HFRCO	—	27	—	μA/MHz
		1 MHz HFRCO	—	215	TBD	μA/MHz

Parameter	Symbol	Test Condition	Min	Typ	Max	Unit
Current consumption in EM2 mode, VSCALE0	I_{EM2_VS}	Full RAM retention and RTC running from LFXO	—	1.94	—	μA
		Full RAM retention and RTC running from LFRCO	—	1.95	—	μA
		24 kB RAM retention and RTC running from LFXO	—	1.81	—	μA
		24 kB RAM retention and RTC running from LFRCO in precision mode	—	2.34	—	μA
		8 kB RAM retention and RTC running from LFXO	—	1.64	—	μA
		8 kB RAM retention and RTC running from LFRCO	—	1.65	TBD	μA
		8 kB RAM retention and RTC running from LFXO, Radio RAM and CPU cache not retained	—	1.39	—	μA
Current consumption in EM3 mode, VSCALE0	I_{EM3_VS}	8 kB RAM retention and RTC running from ULFRCO	—	1.41	TBD	μA
Current consumption in EM4 mode	I_{EM4}	No BURTC, no LF oscillator	—	0.17	TBD	μA
		BURTC with LFXO	—	0.50	—	μA
Current consumption during reset	I_{RST}	Hard pin reset held	—	234	—	μA
Additional current in EM2 or EM3 when any peripheral in PD0B is enabled ¹	I_{PD0B_VS}		—	0.56	—	μA

Note:

1. Extra current consumed by power domain. Does not include current associated with the enabled peripherals. See for a list of the peripherals in each power domain.

4.6.3 MCU current consumption at 1.8 V

Unless otherwise indicated, typical conditions are: AVDD = DVDD = RFVDD = PAVDD = VREGVDD = 1.8 V. DC-DC not used. Voltage scaling level = VSCALE1. T_A = 25 °C. Minimum and maximum values in this table represent the worst conditions across process variation at T_A = 25 °C.

Table 4.7. MCU current consumption at 1.8 V

Parameter	Symbol	Test Condition	Min	Typ	Max	Unit
Current consumption in EM0 mode with all peripherals disabled	I _{ACTIVE}	76.8 MHz HFRCO w/ DPLL referenced to 38.4 MHz crystal, CPU running Prime from flash, VSCALE2	—	42	—	μA/MHz
		76.8 MHz HFRCO w/ DPLL referenced to 38.4 MHz crystal, CPU running while loop from flash, VSCALE2	—	39	—	μA/MHz
		76.8 MHz HFRCO w/ DPLL referenced to 38.4 MHz crystal, CPU running CoreMark loop from flash, VSCALE2	—	55	—	μA/MHz
		38.4 MHz crystal, CPU running Prime from flash	—	41	—	μA/MHz
		38.4 MHz crystal, CPU running while loop from flash	—	39	—	μA/MHz
		38.4 MHz crystal, CPU running CoreMark loop from flash	—	55	—	μA/MHz
		38 MHz HFRCO, CPU running while loop from flash	—	33	—	μA/MHz
		26 MHz HFRCO, CPU running while loop from flash	—	35	—	μA/MHz
		16 MHz HFRCO, CPU running while loop from flash	—	40	—	μA/MHz
		1 MHz HFRCO, CPU running while loop from flash	—	227	—	μA/MHz
Current consumption in EM1 mode with all peripherals disabled	I _{EM1}	76.8 MHz HFRCO w/ DPLL referenced to 38.4 MHz crystal, VSCALE2	—	24	—	μA/MHz
		38.4 MHz crystal	—	25	—	μA/MHz
		38 MHz HFRCO	—	19	—	μA/MHz
		26 MHz HFRCO	—	21	—	μA/MHz
		16 MHz HFRCO	—	27	—	μA/MHz
		1 MHz HFRCO	—	213	—	μA/MHz

Parameter	Symbol	Test Condition	Min	Typ	Max	Unit
Current consumption in EM2 mode, VSCALE0	I_{EM2_VS}	Full RAM retention and RTC running from LFXO	—	1.87	—	μA
		Full RAM retention and RTC running from LFRCO	—	1.86	—	μA
		24 kB RAM retention and RTC running from LFXO	—	1.73	—	μA
		24 kB RAM retention and RTC running from LFRCO in precision mode	—	2.23	—	μA
		8 kB RAM retention and RTC running from LFXO	—	1.57	—	μA
		8 kB RAM retention and RTC running from LFRCO	—	1.56	—	μA
		8 kB RAM retention and RTC running from LFXO, Radio RAM and CPU cache not retained	—	1.32	—	μA
Current consumption in EM3 mode, VSCALE0	I_{EM3_VS}	8 kB RAM retention and RTC running from ULFRCO	—	1.34	—	μA
Current consumption in EM4 mode	I_{EM4}	No BURTC, no LF oscillator	—	0.13	—	μA
		BURTC with LFXO	—	0.44	—	μA
Current consumption during reset	I_{RST}	Hard pin reset held	—	190	—	μA
Additional current in EM2 or EM3 when any peripheral in PD0B is enabled ¹	I_{PD0B_VS}		—	0.54	—	μA

Note:

1. Extra current consumed by power domain. Does not include current associated with the enabled peripherals. See for a list of the peripherals in each power domain.

4.6.4 Radio current consumption at 3.0V using DCDC

RF current consumption measured with MCU in EM1, HCLK = 38.4 MHz, and all MCU peripherals disabled. Unless otherwise indicated, typical conditions are: VREGVDD = 3.0V. AVDD = DVDD = IOVDD = RFVDD = PAVDD = 1.8 V powered from DCDC. T_A = 25 °C. Minimum and maximum values in this table represent the worst conditions across process variation at T_A = 25 °C.

Table 4.8. Radio current consumption at 3.0V using DCDC

Parameter	Symbol	Test Condition	Min	Typ	Max	Unit
System current consumption in receive mode, active packet reception	I _{RX_ACTIVE}	125 kbit/s, 2GFSK, f = 2.4 GHz, VSCALE1, EM1P (Radio clocks only)	—	3.7	—	mA
		125 kbit/s, 2GFSK, f = 2.4 GHz, VSCALE1	—	4.0	—	mA
		125 kbit/s, 2GFSK, f = 2.4 GHz, VSCALE2	—	4.1	—	mA
		500 kbit/s, 2GFSK, f = 2.4 GHz, VSCALE1, EM1P (Radio clocks only)	—	3.8	—	mA
		500 kbit/s, 2GFSK, f = 2.4 GHz, VSCALE1	—	4.0	—	mA
		500 kbit/s, 2GFSK, f = 2.4 GHz, VSCALE2	—	4.2	—	mA
		1 Mbit/s, 2GFSK, f = 2.4 GHz, VSCALE1, EM1P (Radio clocks only)	—	3.6	—	mA
		1 Mbit/s, 2GFSK, f = 2.4 GHz, VSCALE1	—	3.8	—	mA
		1 Mbit/s, 2GFSK, f = 2.4 GHz, VSCALE2	—	3.9	—	mA
		2 Mbit/s, 2GFSK, f = 2.4 GHz, VSCALE1, EM1P (Radio clocks only)	—	4.0	—	mA
		2 Mbit/s, 2GFSK, f = 2.4 GHz, VSCALE1	—	4.2	—	mA
		2 Mbit/s, 2GFSK, f = 2.4 GHz, VSCALE2	—	4.4	—	mA
		802.15.4 receiving frame, f = 2.4 GHz, VSCALE1, EM1P (Radio clocks only)	—	3.9	—	mA
		802.15.4 receiving frame, f = 2.4 GHz, VSCALE1	—	4.1	—	mA
		802.15.4 receiving frame, f = 2.4 GHz, VSCALE2	—	4.3	—	mA

Parameter	Symbol	Test Condition	Min	Typ	Max	Unit
System current consumption in receive mode, listening for packet	I _{RX_LISTEN}	125 kbit/s, 2GFSK, f = 2.4 GHz, VSCALE1, EM1P (Radio clocks only)	—	3.8	—	mA
		125 kbit/s, 2GFSK, f = 2.4 GHz, VSCALE1	—	4.0	—	mA
		125 kbit/s, 2GFSK, f = 2.4 GHz, VSCALE2	—	4.1	—	mA
		500 kbit/s, 2GFSK, f = 2.4 GHz, VSCALE1, EM1P (Radio clocks only)	—	3.8	—	mA
		500 kbit/s, 2GFSK, f = 2.4 GHz, VSCALE1	—	4.0	—	mA
		500 kbit/s, 2GFSK, f = 2.4 GHz, VSCALE2	—	4.1	—	mA
		1 Mbit/s, 2GFSK, f = 2.4 GHz, VSCALE1, EM1P (Radio clocks only)	—	3.6	—	mA
		1 Mbit/s, 2GFSK, f = 2.4 GHz, VSCALE1	—	3.8	—	mA
		1 Mbit/s, 2GFSK, f = 2.4 GHz, VSCALE2	—	4.0	—	mA
		2 Mbit/s, 2GFSK, f = 2.4 GHz, VSCALE1, EM1P (Radio clocks only)	—	4.1	—	mA
		2 Mbit/s, 2GFSK, f = 2.4 GHz, VSCALE1	—	4.3	—	mA
		2 Mbit/s, 2GFSK, f = 2.4 GHz, VSCALE2	—	4.5	—	mA
		802.15.4, f = 2.4 GHz, VSCALE1, EM1P (Radio clocks only)	—	4.2	—	mA
		802.15.4, f = 2.4 GHz, VSCALE1	—	4.4	—	mA
		802.15.4, f = 2.4 GHz, VSCALE2	—	4.6	—	mA
System current consumption in transmit mode	I _{TX}	f = 2.4 GHz, CW, 0 dBm PA, 0 dBm output power, VSCALE1, EM1P (Radio clocks only)	—	4.1	—	mA
		f = 2.4 GHz, CW, 6 dBm PA, 6 dBm output power, VSCALE1, EM1P (Radio clocks only)	—	8.2	—	mA
		f = 2.4 GHz, CW, 0 dBm PA, 0 dBm output power, VSCALE1	—	4.3	—	mA
		f = 2.4 GHz, CW, 6 dBm PA, 6 dBm output power, VSCALE1	—	8.4	—	mA
		f = 2.4 GHz, CW, 0 dBm PA, 0 dBm output power, VSCALE2	—	4.4	—	mA
		f = 2.4 GHz, CW, 6 dBm PA, 6 dBm output power, VSCALE2	—	8.5	—	mA

4.7 Flash Characteristics

Table 4.9. Flash Characteristics

Parameter	Symbol	Test Condition	Min	Typ	Max	Unit
Flash Supply voltage during write or erase	V _{FLASH}		1.71	—	3.8	V
Flash erase cycles before failure ¹	EC _{FLASH}	T _A ≤ 125 °C	10,000	—	—	cycles
Flash data retention ¹	RET _{FLASH}	T _A ≤ 125 °C	10	—	—	years
Program Time	t _{PROG}	one word (32-bits)	42.1	44	45.6	uSec
		average per word over 128 words	10.3	10.9	11.3	uSec
Page Erase Time	t _{PERASE}		11.4	12.9	14.4	ms
Mass Erase Time	t _{MERASE}	Erases all of User Code area	11.7	13	14.3	ms
Program Current	I _{PROG}		—	—	1.45	mA
Page Erase Current	I _{PERASE}	Page Erase	—	—	1.34	mA
Mass Erase Current	I _{MERASE}	Mass Erase	—	—	1.28	mA
Note:						
1. Flash data retention information is published in the Quarterly Quality and Reliability Report.						

4.8 Wake Up, Entry, and Exit times

Unless otherwise specified, these times are measured using the HFRCO at 19 MHz.

Table 4.10. Wake Up, Entry, and Exit times

Parameter	Symbol	Test Condition	Min	Typ	Max	Unit
WakeupTime from EM1	t_{EM1_WU}	Code execution from flash	—	3	—	AHB Clocks
		Code execution from RAM	—	1.42	—	μs
WakeupTime from EM2	t_{EM2_WU}	Code execution from flash, No Voltage Scaling	—	13.22	—	μs
		Code execution from RAM, No Voltage Scaling	—	5.15	—	μs
		Voltage scaling up one level ¹	—	37.89	—	μs
		Voltage scaling up two levels ²	—	50.56	—	μs
WakeupTime from EM3	t_{EM3_WU}	Code execution from flash, No Voltage Scaling	—	13.21	—	μs
		Code execution from RAM, No Voltage Scaling	—	5.15	—	μs
		Voltage scaling up one level ¹	—	37.90	—	μs
		Voltage scaling up two levels ²	—	50.55	—	μs
WakeupTime from EM4	t_{EM4_WU}	Code execution from flash	—	8.81	—	ms
Entry time to EM1	t_{EM1_ENT}	Code execution from flash	—	1.29	—	μs
Entry time to EM2	t_{EM2_ENT}	Code execution from flash	—	5.23	—	μs
Entry time to EM3	t_{EM3_ENT}	Code execution from flash	—	5.23	—	μs
Entry time to EM4	t_{EM4_ENT}	Code execution from flash	—	9.96	—	μs
Voltage scaling time ^{1 2 3}	t_{Scale}	Up one level	—	32.75	—	μs
		Up two levels	—	45.4	—	μs
		Down one or two levels	—	TBD	—	μs

Note:

1. Voltage scaling one level is between VSCALE0 and VSCALE1 or between VSCALE1 and VSCALE2.
2. Voltage scaling two levels is between VSCALE0 and VSCALE2.
3. During voltage scaling in EM0, RAM is inaccessible and processor will be halted until complete.

4.9 RFSENSE Low-energy Wake-on-RF

Table 4.11. RFSENSE Low-energy Wake-on-RF

Parameter	Symbol	Test Condition	Min	Typ	Max	Unit
Average current	I _{RFSENSE}	RF energy below wake threshold	—	138	—	nA
		Selective mode, RF energy above threshold but no OOK sync detected	—	131	—	nA
RF level above which RFSENSE will detect signal ¹	THRES _{TRIG}	Threshold set to -34 dBm	-28	—	—	dBm
		Threshold set to -28 dBm	-23	—	—	dBm
		Threshold set to -22 dBm	-19	—	—	dBm
RF level below which RFSENSE will not detect signal ¹	THRES _{NOTRIG}	Threshold set to -34 dBm	—	—	-40	dBm
		Threshold set to -28 dBm	—	—	-32	dBm
		Threshold set to -22 dBm	—	—	-26	dBm
Sensitivity in selective OOK mode ¹	SENS _{OOK}	Sensitivity for >90% probability of OOK detection ² , threshold set to -34 dBm	-28	—	—	dBm
		Sensitivity for >90% probability of OOK detection ² , threshold set to -28 dBm	-23	—	—	dBm
		Sensitivity for >90% probability of OOK detection ² , threshold set to -22 dBm	-19	—	—	dBm

Note:

1. Values collected with conducted measurements performed at the end of the matching network.
2. Selective wake signal is 1 kHz OOK Manchester-coded, 8 bits of preamble, 32-bit sync word.

4.10 2.4 GHz RF Transceiver Characteristics

4.10.1 RF Transmitter Characteristics

4.10.1.1 RF Transmitter General Characteristics for the 2.4 GHz Band

Unless otherwise indicated, typical conditions are: $T_A = 25\text{ }^\circ\text{C}$, $V_{REGVDD} = 3.0\text{V}$, $AVDD = DVDD = IOVDD = RFVDD = PAVDD = 1.8\text{ V}$ powered from DCDC. Crystal frequency=38.4 MHz. RF center frequency 2.45 GHz.

Table 4.12. RF Transmitter General Characteristics for the 2.4 GHz Band

Parameter	Symbol	Test Condition	Min	Typ	Max	Unit
RF tuning frequency range	F_{RANGE}		2400	—	2483.5	MHz
Radio-only current consumption while transmitting ¹	I_{TX_RADIO}	f = 2.4 GHz, CW, 0 dBm PA, 0 dBm output power	—	3.5	—	mA
		f = 2.4 GHz, CW, 6 dBm PA, 6 dBm output power	—	7.8	—	mA
Maximum TX power ²	$POUT_{MAX}$	6 dBm PA	—	6	—	dBm
		0 dBm PA	—	0	—	dBm
Minimum active TX Power	$POUT_{MIN}$	6 dBm PA	—	-27	—	dBm
		0 dBm PA	—	-28	—	dBm
Output power variation vs supply voltage variation, frequency = 2450 MHz	$POUT_{VAR_V}$	6 dBm PA output power, using DCDC with VREGVDD swept from 1.8 to 3.0 V	—	0.04	—	dB
		0 dBm PA output power, using DCDC with VREGVDD swept from 1.8 to 3.0 V	—	0.03	—	dB
Output power variation vs temperature, Frequency = 2450 MHz	$POUT_{VAR_T}$	6 dBm PA at 6 dBm, (-40 to +125 °C)	—	0.18	—	dB
		0 dBm PA at 0 dBm, (-40 to +125 °C)	—	1.4	—	dB
		6 dBm PA at 6 dBm, (-40 to +85 °C)	—	0.17	—	dB
		0 dBm PA at 0 dBm, (-40 to +85 °C)	—	1.0	—	dB
Output power variation vs RF frequency	$POUT_{VAR_F}$	6 dBm PA, 6 dBm	—	0.20	—	dB
		0 dBm PA, 0 dBm	—	0.19	—	dB
Spurious emissions of harmonics in restricted bands per FCC Part 15.205/15.209	$SPUR_{HRM_FCC_R}$	Continuous transmission of CW carrier, $P_{out} = 6\text{ dBm}$, Test Frequency = 2450 MHz.	—	-47	—	dBm

Parameter	Symbol	Test Condition	Min	Typ	Max	Unit
Spurious emissions out-of-band (above 2.483 GHz or below 2.4 GHz) in restricted bands, per FCC part 15.205/15.209	SPUR _{OOB_FCC_R}	Restricted bands 30-88 MHz, Continuous transmission of CW carrier, P _{out} = 6 dBm, Test Frequency = 2450 MHz	—	-47	—	dBm
		Restricted bands 88 - 216 MHz, Continuous transmission of CW carrier, P _{out} = 6 dBm, Test Frequency = 2450 MHz	—	-47	—	dBm
		Restricted bands 216 - 960 MHz, Continuous transmission of CW carrier, P _{out} = 6 dBm, Test Frequency = 2450 MHz	—	-47	—	dBm
		Restricted bands > 960 MHz, Continuous transmission of CW carrier, P _{out} = 6 dBm, Test Frequency = 2450 MHz	—	-47	—	dBm
Spurious emissions out-of-band in non-restricted bands per FCC Part 15.247	SPUR _{OOB_FCC_NR}	Frequencies above 2.483 GHz or below 2.4 GHz, continuous transmission CW carrier, P _{out} = 6 dBm, Test Frequency = 2450 MHz	—	-26	—	dBc
Spurious emissions per ETSI EN300.440	SPUR _{ETSI440}	47-74 MHz, 87.5-108 MHz, 174-230 MHz, 470-862 MHz, P _{out} = 6 dBm, Test Frequency = 2450 MHz	—	-60	—	dBm
		25-1000 MHz, excluding above frequencies. P _{out} = 6 dBm, Test Frequency = 2450 MHz	—	-42	—	dBm
		1G-14G, P _{out} = 6 dBm, Test Frequency = 2450 MHz	—	-36	—	dBm
Spurious emissions out-of-band, per ETSI 300.328	SPUR _{ETSI328}	[2400-2BW to 2400-BW], [2483.5+BW to 2483.5+2BW], P _{out} = 6 dBm, Test Frequency = 2450 MHz	—	-26	—	dBm
		47-74 MHz, 87.5-118 MHz, 174-230 MHz, 470-862 MHz, P _{out} = 6 dBm, Test Frequency = 2450 MHz	—	-60	—	dBm
		30-47 MHz, 74-87.5 MHz, 118-174 MHz, 230-470 MHz, 862-1000 MHz, P _{out} = 6 dBm, Test Frequency = 2450 MHz	—	-42	—	dBm
		1G-12.75 GHz, excluding bands listed above, P _{out} = 6 dBm, Test Frequency = 2450 MHz	—	-36	—	dBm
		[2400-BW to 2400], [2483.5 to 2483.5+BW] P _{out} = 6 dBm, Test Frequency = 2450 MHz	—	-16	—	dBm

Note:

1. Supply current to radio, supplied by DC-DC with 3.0 V, measured at VREGVDD.
2. Supported transmit power levels are determined by the ordering part number (OPN). Transmit power ratings for all devices covered in this data sheet can be found in the Max TX Power column of the Ordering Information Table.

4.10.1.2 RF Transmitter Characteristics for 802.15.4 DSSS-OQPSK in the 2.4 GHz Band

Unless otherwise indicated, typical conditions are: $T_A = 25\text{ }^\circ\text{C}$, $V_{REGVDD} = 3.0\text{V}$, $AVDD = DVDD = IOVDD = RFVDD = PAVDD = 1.8\text{ V}$ powered from DCDC. Crystal frequency=38.4 MHz. RF center frequency 2.45 GHz.

Table 4.13. RF Transmitter Characteristics for 802.15.4 DSSS-OQPSK in the 2.4 GHz Band

Parameter	Symbol	Test Condition	Min	Typ	Max	Unit
Error vector magnitude per 802.15.4-2011	EVM	Average across frequency, signal is DSSS-OQPSK reference packet, $P_{out} = 6\text{ dBm}$	—	3.0	—	% rms
		Average across frequency, signal is DSSS-OQPSK reference packet, $P_{out} = 0\text{ dBm}$	—	3.0	—	% rms
Power spectral density limit	PSD _{LIMIT}	Relative, at carrier $\pm 3.5\text{ MHz}$, $P_{out} = 6\text{ dBm}$	—	-50.7	—	dBc/100kHz
		Relative, at carrier $\pm 3.5\text{ MHz}$, $P_{out} = 0\text{ dBm}$	—	-50.8	—	dBc/100kHz
		Absolute, at carrier $\pm 3.5\text{ MHz}$, $P_{out} = 6\text{ dBm}$	—	-52.5	—	dBm/100kHz
		Absolute, at carrier $\pm 3.5\text{ MHz}$, $P_{out} = 0\text{ dBm}$	—	-58.3	—	dBm/100kHz
		Per FCC part 15.247, $P_{out} = 6\text{ dBm}$	—	-1.4	—	dBm/3kHz
		Per FCC part 15.247, $P_{out} = 0\text{ dBm}$	—	-7.4	—	dBm/3kHz
		ETSI 300.328 $P_{out} = 6\text{ dBm}$	—	5.6	—	dBm
		ETSI 300.328 $P_{out} = 0\text{ dBm}$	—	-1.0	—	dBm
Occupied channel bandwidth per ETSI EN300.328	OCP _{ETSI328}	99% BW at highest and lowest channels in band, $P_{out} = 6\text{ dBm}$	—	2.2	—	MHz
		99% BW at highest and lowest channels in band, $P_{out} = 0\text{ dBm}$	—	2.2	—	MHz

4.10.1.3 RF Transmitter Characteristics for Bluetooth Low Energy in the 2.4 GHz Band 1 Mbps Data Rate

Unless otherwise indicated, typical conditions are: $T_A = 25\text{ }^\circ\text{C}$, $V_{REGVDD} = 3.0\text{V}$, $AVDD = DVDD = IOVDD = RFVDD = PAVDD = 1.8\text{ V}$ powered from DCDC. Crystal frequency=38.4 MHz. RF center frequency 2.45 GHz.

Table 4.14. RF Transmitter Characteristics for Bluetooth Low Energy in the 2.4 GHz Band 1 Mbps Data Rate

Parameter	Symbol	Test Condition	Min	Typ	Max	Unit
Transmit 6 dB bandwidth	TXBW	$P_{out} = 6\text{ dBm}$	—	630	—	kHz
		$P_{out} = 0\text{ dBm}$	—	640	—	kHz
Power spectral density limit	PSD _{LIMIT}	$P_{out} = 6\text{ dBm}$, Per FCC part 15.247 at 6 dBm	—	2.9	—	dBm/3kHz
		$P_{out} = 0\text{ dBm}$, Per FCC part 15.247 at 0 dBm	—	-3.2	—	dBm/3kHz
		Per ETSI 300.328 at 10 dBm/1 MHz	—	7.1	—	dBm
Occupied channel bandwidth per ETSI EN300.328	OCP _{ETSI328}	$P_{out} = 6\text{ dBm}$ 99% BW at highest and lowest channels in band	—	1.1	—	MHz
		$P_{out} = 0\text{ dBm}$ 99% BW at highest and lowest channels in band	—	1.1	—	MHz
In-band spurious emissions, with allowed exceptions ¹	SPUR _{INB}	$P_{out} = 6\text{ dbm}$, Inband spurs at $\pm 2\text{ MHz}$	—	-41	—	dBm
		$P_{out} = 0\text{ dbm}$, Inband spurs at $\pm 2\text{ MHz}$	—	-48	—	dBm
		$P_{out} = 6\text{ dBm}$ Inband spurs at $\pm 3\text{ MHz}$	—	-47	—	dBm
		$P_{out} = 0\text{dbm}$ Inband spurs at $\pm 3\text{ MHz}$	—	-54	—	dBm

Note:

1. Per Bluetooth Core_5.1, Vol.6 Part A, Section 3.2.2, exceptions are allowed in up to three bands of 1 MHz width, centered on a frequency which is an integer multiple of 1 MHz. These exceptions shall have an absolute value of -20 dBm or less.

4.10.1.4 RF Transmitter Characteristics for Bluetooth Low Energy in the 2.4 GHz Band 2 Mbps Data Rate

Unless otherwise indicated, typical conditions are: $T_A = 25\text{ }^\circ\text{C}$, $V_{REGVDD} = 3.0\text{V}$, $AVDD = DVDD = IOVDD = RFVDD = PAVDD = 1.8\text{ V}$ powered from DCDC. Crystal frequency=38.4 MHz. RF center frequency 2.45 GHz.

Table 4.15. RF Transmitter Characteristics for Bluetooth Low Energy in the 2.4 GHz Band 2 Mbps Data Rate

Parameter	Symbol	Test Condition	Min	Typ	Max	Unit
Transmit 6 dB bandwidth	TXBW	$P_{out} = 6\text{ dBm}$	—	1250	—	kHz
		$P_{out} = 0\text{ dBm}$	—	1220	—	kHz
Power spectral density limit	PSD _{LIMIT}	$P_{out} = 6\text{ dBm}$, Per FCC part 15.247 at 6 dBm	—	0.5	—	dBm/3kHz
		$P_{out} = 0\text{ dBm}$, Per FCC part 15.247 at 0 dBm	—	-5.7	—	dBm/3kHz
		Per ETSI 300.328 at 10 dBm/1 MHz	—	6.3	—	dBm
Occupied channel bandwidth per ETSI EN300.328	OCP _{ETSI328}	$P_{out} = 6\text{ dBm}$ 99% BW at highest and lowest channels in band	—	2.1	—	MHz
		$P_{out} = 0\text{ dBm}$ 99% BW at highest and lowest channels in band	—	2.1	—	MHz
In-band spurious emissions, with allowed exceptions ¹	SPUR _{INB}	$P_{out} = 6\text{ dbm}$, Inband spurs at $\pm 4\text{ MHz}$	—	-41	—	dBm
		$P_{out} = 0\text{ dBm}$, Inband spurs at $\pm 4\text{ MHz}$	—	-47	—	dBm
		$P_{out} = 6\text{ dBm}$ Inband spurs at $\pm 6\text{ MHz}$	—	-46	—	dBm
		$P_{out} = 0\text{ dbm}$ Inband spurs at $\pm 6\text{ MHz}$	—	-53	—	dBm

Note:

1. Per Bluetooth Core_5.1, Vol.6 Part A, Section 3.2.2, exceptions are allowed in up to three bands of 1 MHz width, centered on a frequency which is an integer multiple of 1 MHz. These exceptions shall have an absolute value of -20 dBm or less.

4.10.1.5 RF Transmitter Characteristics for Bluetooth Low Energy in the 2.4 GHz Band 500 kbps Data Rate

Unless otherwise indicated, typical conditions are: $T_A = 25\text{ }^\circ\text{C}$, $V_{REGVDD} = 3.0\text{V}$, $AVDD = DVDD = IOVDD = RFVDD = PAVDD = 1.8\text{ V}$ powered from DCDC. Crystal frequency=38.4 MHz. RF center frequency 2.45 GHz.

Table 4.16. RF Transmitter Characteristics for Bluetooth Low Energy in the 2.4 GHz Band 500 kbps Data Rate

Parameter	Symbol	Test Condition	Min	Typ	Max	Unit
Transmit 6 dB bandwidth	TXBW	$P_{out} = 6\text{ dBm}$	—	640	—	kHz
		$P_{out} = 0\text{ dBm}$	—	650	—	kHz
Power spectral density limit	PSD _{LIMIT}	$P_{out} = 6\text{ dBm}$, Per FCC part 15.247 at 6 dBm	—	2.8	—	dBm/3kHz
		$P_{out} = 0\text{ dBm}$, Per FCC part 15.247 at 0 dBm	—	-3.5	—	dBm/3kHz
		Per ETSI 300.328 at 10 dBm/1 MHz	—	7.1	—	dBm
Occupied channel bandwidth per ETSI EN300.328	OCP _{ETSI328}	$P_{out} = 6\text{ dBm}$ 99% BW at highest and lowest channels in band	—	1.1	—	MHz
		$P_{out} = 0\text{ dBm}$ 99% BW at highest and lowest channels in band	—	1.1	—	MHz
In-band spurious emissions, with allowed exceptions ¹	SPUR _{INB}	$P_{out} = 6\text{ dbm}$, Inband spurs at $\pm 2\text{ MHz}$	—	-41	—	dBm
		$P_{out} = 0\text{ dbm}$, Inband spurs at $\pm 2\text{ MHz}$	—	-48	—	dBm
		$P_{out} = 6\text{ dBm}$ Inband spurs at $\pm 3\text{ MHz}$	—	-47	—	dBm
		$P_{out} = 0\text{dbm}$ Inband spurs at $\pm 3\text{ MHz}$	—	-54	—	dBm

Note:

1. Per Bluetooth Core_5.1, Vol.6 Part A, Section 3.2.2, exceptions are allowed in up to three bands of 1 MHz width, centered on a frequency which is an integer multiple of 1 MHz. These exceptions shall have an absolute value of -20 dBm or less.

4.10.1.6 RF Transmitter Characteristics for Bluetooth Low Energy in the 2.4 GHz Band 125 kbps Data Rate

Unless otherwise indicated, typical conditions are: $T_A = 25\text{ }^\circ\text{C}$, $V_{REGVDD} = 3.0\text{V}$, $AVDD = DVDD = IOVDD = RFVDD = PAVDD = 1.8\text{ V}$ powered from DCDC. Crystal frequency=38.4 MHz. RF center frequency 2.45 GHz.

Table 4.17. RF Transmitter Characteristics for Bluetooth Low Energy in the 2.4 GHz Band 125 kbps Data Rate

Parameter	Symbol	Test Condition	Min	Typ	Max	Unit
Transmit 6 dB bandwidth	TXBW	$P_{out} = 6\text{ dBm}$	—	600	—	kHz
		$P_{out} = 0\text{ dBm}$	—	600	—	kHz
Power spectral density limit	PSD _{LIMIT}	$P_{out} = 6\text{ dBm}$, Per FCC part 15.247 at 6 dBm	—	2.0	—	dBm/3kHz
		$P_{out} = 0\text{ dBm}$, Per FCC part 15.247 at 0 dBm	—	-4.2	—	dBm/3kHz
		Per ETSI 300.328 at 10 dBm/1 MHz	—	7.1	—	dBm
Occupied channel bandwidth per ETSI EN300.328	OCP _{ETSI328}	$P_{out} = 6\text{ dBm}$ 99% BW at highest and lowest channels in band	—	1.1	—	MHz
		$P_{out} = 0\text{ dBm}$ 99% BW at highest and lowest channels in band	—	1.1	—	MHz
In-band spurious emissions, with allowed exceptions ¹	SPUR _{INB}	$P_{out} = 6\text{ dbm}$, Inband spurs at $\pm 2\text{ MHz}$	—	-41	—	dBm
		$P_{out} = 0\text{ dbm}$, Inband spurs at $\pm 2\text{ MHz}$	—	-47	—	dBm
		$P_{out} = 6\text{ dBm}$ Inband spurs at $\pm 3\text{ MHz}$	—	-47	—	dBm
		$P_{out} = 0\text{dbm}$ Inband spurs at $\pm 3\text{ MHz}$	—	-54	—	dBm
Note: 1. Per Bluetooth Core_5.1, Vol.6 Part A, Section 3.2.2, exceptions are allowed in up to three bands of 1 MHz width, centered on a frequency which is an integer multiple of 1 MHz. These exceptions shall have an absolute value of -20 dBm or less.						

4.10.2 RF Receiver Characteristics

4.10.2.1 RF Receiver General Characteristics for the 2.4 GHz Band

Unless otherwise indicated, typical conditions are: $T_A = 25\text{ }^\circ\text{C}$, $V_{REGVDD} = 3.0\text{V}$, $AVDD = DVDD = IOVDD = RFVDD = PAVDD = 1.8\text{V}$ powered from DCDC. Crystal frequency=38.4 MHz. RF center frequency 2.45 GHz.

Table 4.18. RF Receiver General Characteristics for the 2.4 GHz Band

Parameter	Symbol	Test Condition	Min	Typ	Max	Unit
RF tuning frequency range	F_{RANGE}		2400	—	2483.5	MHz
Radio-only current consumption in receive mode ¹	I_{RX_RADIO}		—	2.6	—	mA
Receive mode maximum spurious emission	$SPUR_{RX}$	30 MHz to 1 GHz	—	-63	—	dBm
		1 GHz to 12 GHz	—	-53	—	dBm
Max spurious emissions during active receive mode, per FCC Part 15.109(a)	$SPUR_{RX_FCC}$	216 MHz to 960 MHz, conducted measurement	—	-47	—	dBm
		Above 960 MHz, conducted measurement.	—	-47	—	dBm
2GFSK Sensitivity	$SENS_{2GFSK}$	2 Mbps 2GFSK signal, 1% PER	—	-93	—	dBm
		250 kbps 2GFSK signal, 0.1% BER	—	-104	—	dBm

Note:

1. Supply current to radio, supplied by DC-DC with 3.0 V, measured at V_{REGVDD} .

4.10.2.2 RF Receiver Characteristics for 802.15.4 DSSS-OQPSK in the 2.4 GHz Band

Unless otherwise indicated, typical conditions are: $T_A = 25\text{ }^\circ\text{C}$, $V_{REGVDD} = 3.0\text{V}$, $AVDD = DVDD = IOVDD = RFVDD = PAVDD = 1.8\text{ V}$ powered from DCDC. Crystal frequency=38.4 MHz. RF center frequency 2.45 GHz.

Table 4.19. RF Receiver Characteristics for 802.15.4 DSSS-OQPSK in the 2.4 GHz Band

Parameter	Symbol	Test Condition	Min	Typ	Max	Unit
Max usable receiver input level, 1% PER	SAT	Signal is reference signal ¹ . Packet length is 20 octets	—	10	—	dBm
Sensitivity, 1% PER	SENS	Signal is reference signal. Packet length is 20 octets	—	-102.3	—	dBm
Co-channel interferer rejection, 1% PER	CCR	Desired signal 3 dB above sensitivity limit	—	-1.7	—	dB
High-side adjacent channel rejection, 1% PER. Desired is reference signal at 3 dB above reference sensitivity level ²	ACR _{P1}	Interferer is reference signal at +1 channel-spacing	—	34.9	—	dB
Low-side adjacent channel rejection, 1% PER. Desired is reference signal at 3 dB above reference sensitivity level ²	ACR _{M1}	Interferer is reference signal at -1 channel-spacing	—	34.8	—	dB
Alternate channel rejection, 1% PER. Desired is reference signal at 3 dB above reference sensitivity level ²	ACR ₂	Interferer is reference signal at ± 2 channel-spacing	—	47.1	—	dB
Image rejection , 1% PER. Desired is reference signal at 3 dB above reference sensitivity level ²	IR	Interferer is CW in image band ³	—	34.1	—	dB
Blocking rejection of all other channels, 1% PER. Desired is reference signal at 3 dB above reference sensitivity level ² . Interferer is reference signal	BLOCK	Interferer frequency < Desired frequency - 3 channel-spacing	—	53.2	—	dB
		Interferer frequency > Desired frequency + 3 channel-spacing	—	53.1	—	dB
RSSI resolution	RSSI _{RES}	-100 dBm to +5 dBm	—	0.25	—	dB
RSSI accuracy in the linear region as defined by 802.15.4-2003	RSSI _{LIN}		—	+/-6	—	dB

Note:

- Reference signal is defined as O-QPSK DSSS per 802.15.4, Frequency range = 2400-2483.5 MHz, Symbol rate = 62.5 ksymbols/s.
- Reference sensitivity level is -85 dBm.
- Due to low-IF frequency, there is some overlap of adjacent channel and image channel bands. Adjacent channel CW blocker tests place the Interferer center frequency at the Desired frequency ± 5 MHz on the channel raster, whereas the image rejection test places the CW interferer near the image frequency of the Desired signal carrier, regardless of the channel raster.

4.10.2.3 RF Receiver Characteristics for Bluetooth Low Energy in the 2.4 GHz Band 1 Mbps Data Rate

Unless otherwise indicated, typical conditions are: $T_A = 25\text{ }^\circ\text{C}$, $V_{REGVDD} = 3.0\text{V}$, $AVDD = DVDD = IOVDD = RFVDD = PAVDD = 1.8\text{ V}$ powered from DCDC. Crystal frequency=38.4 MHz. RF center frequency 2.45 GHz, Packet length is 255 bytes.

Table 4.20. RF Receiver Characteristics for Bluetooth Low Energy in the 2.4 GHz Band 1 Mbps Data Rate

Parameter	Symbol	Test Condition	Min	Typ	Max	Unit
Max usable receiver input level	SAT	Signal is reference signal ¹	—	10	—	dBm
Sensitivity	SENS	Signal is reference signal, 37 byte payload ¹	—	-98.9	—	dBm
		Signal is reference signal, 255 byte payload ¹	—	-97.4	—	dBm
		With non-ideal signals ^{2 1}	—	-96.9	—	dBm
Signal to co-channel interferer	C/I_{CC}	(see notes) ^{1 3}	—	8.7	—	dB
$N \pm 1$ Adjacent channel selectivity	C/I_1	Interferer is reference signal at +1 MHz offset ^{1 4 3 5}	—	-6.6	—	dB
		Interferer is reference signal at -1 MHz offset ^{1 4 3 5}	—	-6.5	—	dB
$N \pm 2$ Alternate channel selectivity	C/I_2	Interferer is reference signal at +2 MHz offset ^{1 4 3 5}	—	-40.9	—	dB
		Interferer is reference signal at -2 MHz offset ^{1 4 3 5}	—	-39.9	—	dB
$N \pm 3$ Alternate channel selectivity	C/I_3	Interferer is reference signal at +3 MHz offset ^{1 4 3 5}	—	-45.9	—	dB
		Interferer is reference signal at -3 MHz offset ^{1 4 3 5}	—	-46.2	—	dB
Selectivity to image frequency	C/I_{IM}	Interferer is reference signal at image frequency with 1 MHz precision ^{1 5}	—	-23.5	—	dB
Selectivity to image frequency ± 1 MHz	C/I_{IM_1}	Interferer is reference signal at image frequency +1 MHz with 1 MHz precision ^{1 5}	—	-40.9	—	dB
		Interferer is reference signal at image frequency -1 MHz with 1 MHz precision ^{1 5}	—	-6.6	—	dB
Intermodulation performance	IM	$n = 3$ (see note ⁶)	—	-17.1	—	dBm

Note:

1. 0.1% Bit Error Rate.
2. With non-ideal signals as specified in Bluetooth Test Specification RF-PHY.TS.5.0.1 section 4.7.1
3. Desired signal -67 dBm.
4. Desired frequency $2402\text{ MHz} \leq F_c \leq 2480\text{ MHz}$.
5. With allowed exceptions.
6. As specified in Bluetooth Core specification version 5.1, Vol 6, Part A, Section 4.4

4.10.2.4 RF Receiver Characteristics for Bluetooth Low Energy in the 2.4 GHz Band 2 Mbps Data Rate

Unless otherwise indicated, typical conditions are: $T_A = 25\text{ }^\circ\text{C}$, $V_{REGVDD} = 3.0\text{V}$, $AVDD = DVDD = IOVDD = RFVDD = PAVDD = 1.8\text{ V}$ powered from DCDC. Crystal frequency=38.4 MHz. RF center frequency 2.45 GHz, Packet length is 255 bytes.

Table 4.21. RF Receiver Characteristics for Bluetooth Low Energy in the 2.4 GHz Band 2 Mbps Data Rate

Parameter	Symbol	Test Condition	Min	Typ	Max	Unit
Max usable receiver input level	SAT	Signal is reference signal ¹	—	10	—	dBm
Sensitivity	SENS	Signal is reference signal, 37 byte payload ¹	—	-96.2	—	dBm
		Signal is reference signal, 255 byte payload ¹	—	-94.6	—	dBm
		With non-ideal signals ^{2 1}	—	-94.4	—	dBm
Signal to co-channel interferer	C/I_{CC}	(see notes) ^{1 3}	—	8.8	—	dB
$N \pm 1$ Adjacent channel selectivity	C/I_1	Interferer is reference signal at +2 MHz offset ^{1 4 3 5}	—	-9.2	—	dB
		Interferer is reference signal at -2 MHz offset ^{1 4 3 5}	—	-6.6	—	dB
$N \pm 2$ Alternate channel selectivity	C/I_2	Interferer is reference signal at +4 MHz offset ^{1 4 3 5}	—	-43.3	—	dB
		Interferer is reference signal at -4 MHz offset ^{1 4 3 5}	—	-44.0	—	dB
$N \pm 3$ Alternate channel selectivity	C/I_3	Interferer is reference signal at +6 MHz offset ^{1 4 3 5}	—	-48.6	—	dB
		Interferer is reference signal at -6 MHz offset ^{1 4 3 5}	—	-50.7	—	dB
Selectivity to image frequency	C/I_{IM}	Interferer is reference signal at image frequency with 1 MHz precision ^{1 5}	—	-23.8	—	dB
Selectivity to image frequency ± 2 MHz	C/I_{IM_1}	Interferer is reference signal at image frequency +2 MHz with 1 MHz precision ^{1 5}	—	-43.3	—	dB
		Interferer is reference signal at image frequency -2 MHz with 1 MHz precision ^{1 5}	—	-9.2	—	dB
Intermodulation performance	IM	$n = 3$ (see note ⁶)	—	-18.8	—	dBm

Note:

1. 0.1% Bit Error Rate.
2. With non-ideal signals as specified in Bluetooth Test Specification RF-PHY.TS.5.0.1 section 4.7.1
3. Desired signal -64 dBm.
4. Desired frequency $2402\text{ MHz} \leq F_c \leq 2480\text{ MHz}$.
5. With allowed exceptions.
6. As specified in Bluetooth Core specification version 5.1, Vol 6, Part A, Section 4.4

4.10.2.5 RF Receiver Characteristics for Bluetooth Low Energy in the 2.4 GHz Band 500 kbps Data Rate

Unless otherwise indicated, typical conditions are: $T_A = 25\text{ }^\circ\text{C}$, $V_{REGVDD} = 3.0\text{V}$, $AVDD = DVDD = IOVDD = RFVDD = PAVDD = 1.8\text{ V}$ powered from DCDC. Crystal frequency=38.4 MHz. RF center frequency 2.45 GHz, Packet length is 255 bytes.

Table 4.22. RF Receiver Characteristics for Bluetooth Low Energy in the 2.4 GHz Band 500 kbps Data Rate

Parameter	Symbol	Test Condition	Min	Typ	Max	Unit
Max usable receiver input level	SAT	Signal is reference signal ¹	—	10	—	dBm
Sensitivity	SENS	Signal is reference signal, 37 byte payload ¹	—	-102.5	—	dBm
		Signal is reference signal, 255 byte payload ¹	—	-101.2	—	dBm
		With non-ideal signals ^{2 1}	—	-100.2	—	dBm
Signal to co-channel interferer	C/I_{CC}	(see notes) ^{1 3}	—	2.7	—	dB
$N \pm 1$ Adjacent channel selectivity	C/I_1	Interferer is reference signal at +1 MHz offset ^{1 4 3 5}	—	-8.0	—	dB
		Interferer is reference signal at -1 MHz offset ^{1 4 3 5}	—	-7.9	—	dB
$N \pm 2$ Alternate channel selectivity	C/I_2	Interferer is reference signal at +2 MHz offset ^{1 4 3 5}	—	-46.5	—	dB
		Interferer is reference signal at -2 MHz offset ^{1 4 3 5}	—	-49.9	—	dB
$N \pm 3$ Alternate channel selectivity	C/I_3	Interferer is reference signal at +3 MHz offset ^{1 4 3 5}	—	-48.9	—	dB
		Interferer is reference signal at -3 MHz offset ^{1 4 3 5}	—	-53.8	—	dB
Selectivity to image frequency	C/I_{IM}	Interferer is reference signal at image frequency with 1 MHz precision ^{1 5}	—	-48.3	—	dB
Selectivity to image frequency ± 1 MHz	C/I_{IM_1}	Interferer is reference signal at image frequency +1 MHz with 1 MHz precision ^{1 5}	—	-49.9	—	dB
		Interferer is reference signal at image frequency -1 MHz with 1 MHz precision ^{1 5}	—	-46.5	—	dB

Note:

1. 0.1% Bit Error Rate.
2. With non-ideal signals as specified in Bluetooth Test Specification RF-PHY.TS.5.0.1 section 4.7.1
3. Desired signal -72 dBm.
4. Desired frequency $2402\text{ MHz} \leq F_c \leq 2480\text{ MHz}$.
5. With allowed exceptions.

4.10.2.6 RF Receiver Characteristics for Bluetooth Low Energy in the 2.4 GHz Band 125 kbps Data Rate

Unless otherwise indicated, typical conditions are: $T_A = 25\text{ }^\circ\text{C}$, $V_{REGVDD} = 3.0\text{V}$, $AVDD = DVDD = IOVDD = RFVDD = PAVDD = 1.8\text{ V}$ powered from DCDC. Crystal frequency=38.4 MHz. RF center frequency 2.45 GHz, Packet length is 255 bytes.

Table 4.23. RF Receiver Characteristics for Bluetooth Low Energy in the 2.4 GHz Band 125 kbps Data Rate

Parameter	Symbol	Test Condition	Min	Typ	Max	Unit
Max usable receiver input level	SAT	Signal is reference signal ¹	—	10	—	dBm
Sensitivity	SENS	Signal is reference signal, 37 byte payload ¹	—	-106.7	—	dBm
		Signal is reference signal, 255 byte payload ¹	—	-106.4	—	dBm
		With non-ideal signals ^{2 1}	—	-105.8	—	dBm
Signal to co-channel interferer	C/I_{CC}	(see notes) ^{1 3}	—	0.9	—	dB
$N \pm 1$ Adjacent channel selectivity	C/I_1	Interferer is reference signal at +1 MHz offset ^{1 4 3 5}	—	-13.6	—	dB
		Interferer is reference signal at -1 MHz offset ^{1 4 3 5}	—	-13.4	—	dB
$N \pm 2$ Alternate channel selectivity	C/I_2	Interferer is reference signal at +2 MHz offset ^{1 4 3 5}	—	-52.6	—	dB
		Interferer is reference signal at -2 MHz offset ^{1 4 3 5}	—	-55.8	—	dB
$N \pm 3$ Alternate channel selectivity	C/I_3	Interferer is reference signal at +3 MHz offset ^{1 4 3 5}	—	-53.7	—	dB
		Interferer is reference signal at -3 MHz offset ^{1 4 3 5}	—	-59.0	—	dB
Selectivity to image frequency	C/I_{IM}	Interferer is reference signal at image frequency with 1 MHz precision ^{1 5}	—	-52.7	—	dB
Selectivity to image frequency ± 1 MHz	C/I_{IM_1}	Interferer is reference signal at image frequency +1 MHz with 1 MHz precision ^{1 5}	—	-53.7	—	dB
		Interferer is reference signal at image frequency -1 MHz with 1 MHz precision ^{1 5}	—	-52.6	—	dB

Note:

1. 0.1% Bit Error Rate.
2. With non-ideal signals as specified in Bluetooth Test Specification RF-PHY.TS.5.0.1 section 4.7.1
3. Desired signal -79 dBm.
4. Desired frequency $2402\text{ MHz} \leq F_c \leq 2480\text{ MHz}$.
5. With allowed exceptions.

4.11 Oscillators

4.11.1 High Frequency Crystal Oscillator

Unless otherwise indicated, typical conditions are: AVDD = DVDD = 3.0 V. T_A = 25 °C. Minimum and maximum values in this table represent the worst conditions across process variation, operating supply voltage range, and operating temperature range.

Table 4.24. High Frequency Crystal Oscillator

Parameter	Symbol	Test Condition	Min	Typ	Max	Unit
Crystal Frequency	F _{HFXO}	see note ^{1 2}	—	38.4	—	MHz
Supported crystal equivalent series resistance (ESR)	ESR _{HFXO_38M4}	38.4 MHz, CL = 10 pF ^{3 4}	—	40	TBD	Ω
Supported range of crystal load capacitance ⁵	C _{HFXO_LC}	38.4 MHz, ESR = 40 Ohm ⁴	—	10	—	pF
Supply Current	I _{HFXO}		—	TBD	—	μA
Startup Time	T _{STARTUP}	38.4 MHz, ESR=40 Ohm, CL=10 pF	—	TBD	—	μs
On-chip tuning cap step size ⁶	SS _{HFXO}		—	0.04	—	pF

Note:

1. The BLE radio requires a 38.4 MHz crystal with a tolerance of ± 50 ppm over temperature and aging. Please use the recommended crystal.
2. The ZigBee radio requires a 38.4 MHz crystal with a tolerance of ± 40 ppm over temperature and aging. Please use the recommended crystal.
3. The crystal should have a maximum ESR less than or equal to this maximum rating.
4. RF performance characteristics have been determined using crystals with an ESR of 40 Ω and CL of 10 pF.
5. Total load capacitance as seen by the crystal.
6. The tuning step size is the effective step size when incrementing one of the tuning capacitors by one count. The step size for the each of the individual tuning capacitors is twice this value.

4.11.2 Low Frequency Crystal Oscillator

Table 4.25. Low Frequency Crystal Oscillator

Parameter	Symbol	Test Condition	Min	Typ	Max	Unit
Crystal Frequency	F_{LFXO}		—	32.768	—	kHz
Supported Crystal equivalent series resistance (ESR)	ESR_{LFXO}	GAIN=0	—	—	80	k Ω
		GAIN=1 to 3	—	—	100	k Ω
Supported range of crystal load capacitance ¹	C_{LFXO_CL}	GAIN = 0	4	—	6	pF
		GAIN = 1	6	—	10	pF
		GAIN = 2	10	—	12.5	pF
		GAIN = 3 ²	12.5	—	18	pF
Current consumption	I_{CL12p5}	ESR = 70 k Ω , CL = 12.5 pF, GAIN ³ = 2, AGC ⁴ = 1	—	357	—	nA
Startup Time	$T_{STARTUP}$	ESR = 70k Ω , CL = 7 pF, GAIN ³ = 1, AGC ⁴ = 1	—	63	—	ms
On-chip tuning cap step size	SS_{LFXO}		—	0.26	—	pF
On-chip tuning capacitor value at minimum setting ⁵	C_{LFXO_MIN}	CAPTUNE = 0	—	4	—	pF
On-chip tuning capacitor value at maximum setting ⁵	C_{LFXO_MAX}	CAPTUNE = 0x4F	—	24.5	—	pF

Note:

1. Total load capacitance seen by the crystal
2. Crystals with a load capacitance of greater than 12 pF require external load capacitors.
3. In LFXO_CAL Register
4. In LFXO_CFG Register
5. The effective load capacitance seen by the crystal will be $C_{LFXO}/2$. This is because each XTAL pin has a tuning cap and the two caps will be seen in series by the crystal

4.11.3 High Frequency RC Oscillator (HFRCO)

Unless otherwise indicated, typical conditions are: AVDD = DVDD = 3.0 V. T_A = 25 °C. Minimum and maximum values in this table represent the worst conditions across process variation, operating supply voltage range, and operating temperature range.

Table 4.26. High Frequency RC Oscillator (HFRCO)

Parameter	Symbol	Test Condition	Min	Typ	Max	Unit
Frequency Accuracy	F _{HFRCO_ACC}	For all production calibrated frequencies	-3	—	3	%
Current consumption on all supplies ¹	I _{HFRCO}	F _{HFRCO} = 1 MHz	—	28	—	μA
		F _{HFRCO} = 2 MHz	—	28	—	μA
		F _{HFRCO} = 4 MHz	—	28	—	μA
		F _{HFRCO} = 5 MHz	—	30	—	μA
		F _{HFRCO} = 7 MHz	—	60	—	μA
		F _{HFRCO} = 10 MHz	—	66	—	μA
		F _{HFRCO} = 13 MHz	—	79	—	μA
		F _{HFRCO} = 16 MHz	—	88	—	μA
		F _{HFRCO} = 19 MHz	—	92	—	μA
		F _{HFRCO} = 20 MHz	—	105	—	μA
		F _{HFRCO} = 26 MHz	—	118	—	μA
		F _{HFRCO} = 32 MHz	—	141	—	μA
		F _{HFRCO} = 38 MHz	—	172	—	μA
		F _{HFRCO} = 80 MHz	—	289	—	μA
Clock out current for HFRCODPLL ²	I _{CLKOUT_HFRCODPLL}	FORECEEN bit of CTRL = 1 and the CLKOUTDIS0 bit of TEST = 1.	—	2.72	—	μA/MHz
		FORECEEN bit of CTRL = 1 and the CLKOUTDIS1 bit of TEST = 1.	—	0.36	—	μA/MHz
Startup Time ³	T _{STARTUP}	FREQRANGE = 0 to 7	—	TBD	—	μs
		FREQRANGE = 8 to 15	—	TBD	—	μs

Parameter	Symbol	Test Condition	Min	Typ	Max	Unit
Band Frequency Limits ⁴	f _{HFRCO_BAND}	FREQRANGE=0	3.71	—	5.24	MHz
		FREQRANGE=1	4.39	—	6.26	MHz
		FREQRANGE=2	5.25	—	7.55	MHz
		FREQRANGE=3	6.22	—	9.01	MHz
		FREQRANGE=4	7.88	—	11.6	MHz
		FREQRANGE=5	9.9	—	14.6	MHz
		FREQRANGE=6	11.5	—	17.0	MHz
		FREQRANGE=7	14.1	—	20.9	MHz
		FREQRANGE=8	16.4	—	24.7	MHz
		FREQRANGE=9	19.8	—	30.4	MHz
		FREQRANGE=10	22.7	—	34.9	MHz
		FREQRANGE=11	28.6	—	44.4	MHz
		FREQRANGE=12	33.0	—	51.0	MHz
		FREQRANGE=13	42.2	—	64.6	MHz
		FREQRANGE=14	48.8	—	74.8	MHz
FREQRANGE=15	57.6	—	87.4	MHz		

Note:

1. Does not include additional clock tree current. See specifications for additional current when selected as a clock source for a particular clock multiplexer.
2. When the HFRCO is enabled for characterization using the FORCEEN bit, the total current will be the HFRCO core current plus the specified CLKOUT current. When the HFRCO is enabled on demand, the clock current may be different.
3. Hardware delay ensures settling to within ± 0.5%. Hardware also enforces this delay on a band change.
4. The frequency band limits represent the lowest and highest frequency which each band can achieve over the operating range.

4.11.4 Fast Start_Up RC Oscillator (FSRCO)

Table 4.27. Fast Start_Up RC Oscillator (FSRCO)

Parameter	Symbol	Test Condition	Min	Typ	Max	Unit
FSRCO frequency	FREQ _{FSRCO}		17.2	20	21.2	MHz

4.11.5 Precision Low Frequency RC Oscillator (LFRCO)

Table 4.28. Precision Low Frequency RC Oscillator (LFRCO)

Parameter	Symbol	Test Condition	Min	Typ	Max	Unit
Nominal oscillation frequency	F_{LFRCO}		—	32.768	—	kHz
Frequency accuracy	F_{LFRCO_ACC}	Normal mode	-3	—	3	%
		Precision mode ¹ , across operating temperature range ²	TBD	—	TBD	ppm
Startup time	$t_{STARTUP}$	Normal mode	—	204	—	μ s
		Precision mode ¹	—	11.7	—	ms
Current consumption	I_{LFRCO}	Normal mode	—	175	—	nA
		Precision mode ¹ , T = stable at 25 °C ³	—	655	—	nA

Note:

1. The LFRCO operates in high-precision mode when CFG_HIGHPRECEN is set to 1. High-precision mode is not available in EM4.
2. Includes ± 40 ppm frequency tolerance of the HFXO crystal.
3. Includes periodic re-calibration against HFXO crystal oscillator.

4.11.6 Ultra Low Frequency RC Oscillator

Table 4.29. Ultra Low Frequency RC Oscillator

Parameter	Symbol	Test Condition	Min	Typ	Max	Unit
Oscillation Frequency	F_{ULFRCO}		0.944	1.0	1.095	kHz

4.12 GPIO Pins (3V GPIO pins)

Table 4.30. GPIO Pins (3V GPIO pins)

Parameter	Symbol	Test Condition	Min	Typ	Max	Unit
Leakage current	I_{LEAK_IO}	MODEx = DISABLED, IOVDD = 1.71 V	—	1.9	—	nA
		MODEx = DISABLED, IOVDD = 3.0 V	—	2.5	—	nA
		MODEx = DISABLED, IOVDD = 3.8 V $T_A = 85^\circ\text{C}$	—	—	TBD	nA
		Pins other than PA00, PA03, PB00, PC03, PC04 and PD00; MODEx = DISABLED, IOVDD = 3.8 V $T_A = 125^\circ\text{C}$	—	—	200	nA
		Pins PA00, PA03, PB00, PC03, PC04 and PD00; MODEx = DISABLED, IOVDD = 3.8 V $T_A = 125^\circ\text{C}$	—	—	400	nA
Input low voltage ¹	V_{IL}	Any GPIO pin	—	—	0.3*IOVDD	V
		RESETn	—	—	0.3*DVDD	V
Input high voltage ¹	V_{IH}	Any GPIO pin	0.7*IOVDD	—	—	V
		RESETn	0.7*DVDD	—	—	V
Output high voltage	V_{OH}	Sourcing 20mA, IOVDD = 3.0 V	0.8 * IOVDD	—	—	V
		Sourcing 8mA, IOVDD = 1.71 V	0.6 * IOVDD	—	—	V
Output low voltage	V_{OL}	Sinking 20mA, IOVDD = 3.0 V	—	—	0.2 * IOVDD	V
		Sinking 8mA, IOVDD = 1.71 V	—	—	0.4 * IOVDD	V
GPIO rise time	T_{GPIO_RISE}	IOVDD = 3.0 V, $C_{load} = 50\text{pF}$, SLEWRATE = 4, 10% to 90%	—	8.4	—	ns
		IOVDD = 1.71 V, $C_{load} = 50\text{pF}$, SLEWRATE = 4, 10% to 90%	—	13	—	ns
GPIO fall time	T_{GPIO_FALL}	IOVDD = 3.0 V, $C_{load} = 50\text{pF}$, SLEWRATE = 4, 90% to 10%	—	7.1	—	ns
		IOVDD = 1.71 V, $C_{load} = 50\text{pF}$, SLEWRATE = 4, 90% to 10%	—	11.9	—	ns
Pull up/down resistance ²	R_{PULL}	Any GPIO pin. Pull-up to IOVDD: MODEn = DISABLE DOUT=1. Pull-down to VSS: MODEn = WIREDORPULLDOWN DOUT = 0.	35	44	55	k Ω
		RESETn pin. Pull-up to DVDD	35	44	55	k Ω
Maximum filtered glitch width	T_{GF}	MODE = INPUT, DOUT = 1	—	27	—	ns

Parameter	Symbol	Test Condition	Min	Typ	Max	Unit
Note:						
1. GPIO input thresholds are proportional to the IOVDD pin. RESETn input thresholds are proportional to DVDD.						
2. GPIO pull-ups connect to IOVDD supply, pull-downs connect to VSS. RESETn pull-up connects to DVDD.						

Confidential

4.13 Analog to Digital Converter (IADC)

Specified at 1 Msps, ADCCLK = 10 MHz, OSR=2, unless otherwise indicated.

Table 4.31. Analog to Digital Converter (IADC)

Parameter	Symbol	Test Condition	Min	Typ	Max	Unit
Main analog supply	V _{AVDD}	Normal Mode	1.71	—	3.8	V
Maximum Input Range	V _{IN_MAX}	Maximum allowable input voltage	0	—	AVDD	V
Full-Scale Voltage	V _{FS}	Voltage required for Full-Scale measurement	—	V _{REF} / Gain	—	
Input Measurement Range	V _{IN}	Differential Mode - Plus and Minus inputs	-V _{FS}	—	+V _{FS}	V
		Single Ended Mode - One input tied to ground	0	—	V _{FS}	V
Input Sampling Capacitance	C _s	Analog Gain = 1x	—	1.8	—	pF
		Analog Gain = 2x	—	3.6	—	pF
		Analog Gain = 4x.	—	7.2	—	pF
		Analog Gain =0.5x	—	0.9	—	pF
ADC clock frequency	f _{CLK}	Normal Mode	—	—	10	MHz
Throughput rate	f _{SAMPLE}	f _{CLK} = 10 MHz	—	—	1	Msps
Current from all supplies, Continuous operation	I _{ADC_CONT}	Normal Mode, 1 Msps, OSR=2, f _{CLK} = 10 MHz	—	290	385	μA
Current in Standby mode. ADC is not functional but can wake up in 1us.	I _{STBY}	Normal Mode	—	16	—	μA
ADC Startup Time	t _{startup}	From power down state	—	5	—	μS
		From Standby state	—	1	—	μS
Differential Nonlinearity	DNL	Differential Input. (No missing codes OSR =2)	-1	+/- 0.25	1.5	LSB12
Integral Nonlinearity	INL	Normal Mode. Differential Input.	-2.5	+/- 0.65	2.5	LSB12
Effective number of bits	ENOB	Differential Input. Gain=1x, f _{IN} = 10 kHz, Internal VREF=1.21V. OSR=2	10.5	11.18	—	bits
Signal to Noise + Distortion Ratio Normal Mode	SNDR	Differential Input. Gain=1x, f _{IN} = 10 kHz, Internal VREF=1.21V	65	69.1	—	dB
		Differential Input. Gain=2x, f _{IN} = 10 kHz, Internal VREF=1.21V	—	68.8	—	dB
		Differential Input. Gain=4x, f _{IN} = 10 kHz, Internal VREF=1.21V	—	66.9	—	dB
		Differential Input. Gain=0.5x, f _{IN} = 10 kHz, Internal VREF=1.21V	—	69.2	—	dB
Total Harmonic Distortion	THD	Differential Input. Gain=1x, f _{IN} = 10 kHz, Internal VREF=1.21V	—	-80.3	-70	dB
Spurious-Free Dynamic Range	SFDR	Differential Input. Gain=1x, f _{IN} = 10 kHz, Internal VREF=1.21V	72	86.5	—	dB

Parameter	Symbol	Test Condition	Min	Typ	Max	Unit
Common Mode Rejection Ratio	CMRR	Normal Mode. DC to 100 Hz	—	87.0	—	dB
		Normal Mode. AC high frequency	—	68.6	—	dB
Power Supply Rejection Ratio	PSRR	Normal mode. DC to 100 Hz	—	80.4	—	dB
		Normal mode. AC high frequency, using VREF pad.	—	33.4	—	dB
		Normal mode. AC high frequency, using internal VBGR.	—	65.2	—	dB
Gain Error	GE	GAIN=1 and 0.5, using external VREF, direct mode.	-0.3	0.069	0.3	%
		GAIN=2, using external VREF, direct mode.	-0.4	0.151	0.4	%
		GAIN=3, using external VREF, direct mode.	-0.7	0.186	0.7	%
		GAIN=4, using external VREF, direct mode.	-1.1	0.227	1.1	%
		Internal VREF, Gain = 1	—	0.023	—	%
Offset	OFFSET	GAIN=1 and 0.5, Differential Input	-3	0.27	3	LSB
		GAIN=2, Differential Input	-4	0.27	4	LSB
		GAIN=3, Differential Input	-4	0.25	4	LSB
		GAIN=4, Differential Input	-4	0.29	4	LSB
External reference voltage range	V _{EVREF}		1.0	—	AVDD	V
Internal Reference voltage	V _{IVREF}		TBD	1.21	TBD	V

4.14 Temperature Sense

Table 4.32. Temperature Sense

Parameter	Symbol	Test Condition	Min	Typ	Max	Unit
Temperature sensor range ¹	T _{RANGE}		-40	—	125	°C
Temperature sensor resolution	T _{RESOLUTION}		—	0.25	—	°C
Measurement noise (RMS)	T _{NOISE}	Single measurement	—	0.6	—	°C
		16-sample average (TEMPAVG- NUM = 0)	—	0.17	—	°C
		64-sample average (TEMPAVG- NUM = 1)	—	0.12	—	°C
Temperature offset	T _{OFF}	Mean error of uncorrected output across full temperature range	—	3.14	—	°C
Temperature sensor accuracy ^{2 3}	T _{ACC}	Direct output accuracy after mean error (T _{OFF}) removed	TBD	+/-3	TBD	°C
		After linearization in software, no calibration	TBD	+/-2.2	TBD	°C
		After linearization in software, with single-temperature calibration at 25 °C ⁴	TBD	+/-1.5	TBD	°C
Measurement interval	t _{MEAS}		—	250	—	ms

Note:

1. The sensor reports absolute die temperature in °K. All specifications are in °C to match the units of the specified product temperature range.
2. Error is measured as the deviation of the mean temperature reading from the expected die temperature. Accuracy numbers represent statistical minimum and maximum using ± 4 standard deviations of measured error.
3. The raw output of the temperature sensor is a predictable curve with 2nd-order effects. It can be linearized using a look-up table or 2nd-order polynomial correction.
4. Assuming calibration accuracy of ± 0.25 °C.

4.15 Thermistor Driver Interface

All parameters specified using 38.4 MHz radio clock from HFXO.

Table 4.33. Thermistor Driver Interface

Parameter	Symbol	Test Condition	Min	Typ	Max	Unit
Reference Resistor Part-to-Part Variance	RS _{VAR}	Measured in production, Frequency = DIV64 (TBD)	TBD	112	TBD	kΩ
Reference Resistor Accuracy	RS _{ACC}	Frequency = DIV1	TBD	—	TBD	%
		Frequency = DIV2	TBD	—	TBD	%
		Frequency = DIV4	TBD	—	TBD	%
		Frequency = DIV8	TBD	—	TBD	%
		Frequency = DIV16	TBD	—	TBD	%
		Frequency = DIV32	TBD	—	TBD	%
		Frequency = DIV64	TBD	—	TBD	%
		Frequency = DIV128	TBD	—	TBD	%
		Frequency = DIV256	TBD	—	TBD	%
		Frequency = DIV512	TBD	—	TBD	%
		Frequency = DIV1024	TBD	—	TBD	%

4.16 Brown Out Detectors

4.16.1 DVDD BOD

BOD Thresholds on DVDD in EM0 and EM1 only, unless otherwise noted. Typical conditions are at $T_A = 25\text{ }^\circ\text{C}$. Minimum and maximum values in this table represent the worst conditions across process variation, operating supply voltage range, and operating temperature range.

Table 4.34. DVDD BOD

Parameter	Symbol	Test Condition	Min	Typ	Max	Unit
BOD threshold	V_{DVDD_BOD}	Supply Rising	—	1.64	1.71	V
		Supply Falling	1.62	1.65	—	V
BOD response time	$t_{DVDD_BOD_DELAY}$	Supply dropping at 100mV/ μ s slew rate ¹	—	0.95	—	μ s
BOD hysteresis	$V_{DVDD_BOD_HYS_T}$		—	20	—	mV

Note:

1. If the supply slew rate exceeds the specified slew rate, the BOD may trip later than expected (at a threshold below the minimum specified threshold), or the BOD may not trip at all (e.g., if the supply ramps down and then back up at a very fast rate)

4.16.2 LE DVDD BOD

BOD thresholds on DVDD pin for low energy modes EM2 to EM4, unless otherwise noted.

Table 4.35. LE DVDD BOD

Parameter	Symbol	Test Condition	Min	Typ	Max	Unit
BOD threshold	$V_{DVDD_LE_BOD}$	Supply Falling	1.5	—	1.71	V
BOD response time	$t_{DVDD_LE_BOD_DELAY}$	Supply dropping at 2mV/ μ s slew rate ¹	—	50	—	μ s
BOD hysteresis	$V_{DVDD_LE_BOD_HYST}$		—	20	—	mV

Note:

1. If the supply slew rate exceeds the specified slew rate, the BOD may trip later than expected (at a threshold below the minimum specified threshold), or the BOD may not trip at all (e.g., if the supply ramps down and then back up at a very fast rate)

4.16.3 AVDD and IOVDD BODs

BOD thresholds for AVDD BOD and IOVDD BOD. Available in all energy modes.

Table 4.36. AVDD and IOVDD BODs

Parameter	Symbol	Test Condition	Min	Typ	Max	Unit
BOD threshold	V_{BOD}	Supply falling	1.45	—	1.71	V
BOD response time	t_{BOD_DELAY}	Supply dropping at 2mV/ μ s slew rate ¹	—	50	—	μ s
BOD hysteresis	V_{BOD_HYST}		—	20	—	mV

Note:

1. If the supply slew rate exceeds the specified slew rate, the BOD may trip later than expected (at a threshold below the minimum specified threshold), or the BOD may not trip at all (e.g., if the supply ramps down and then back up at a very fast rate)

4.17 PDM Timing Specifications

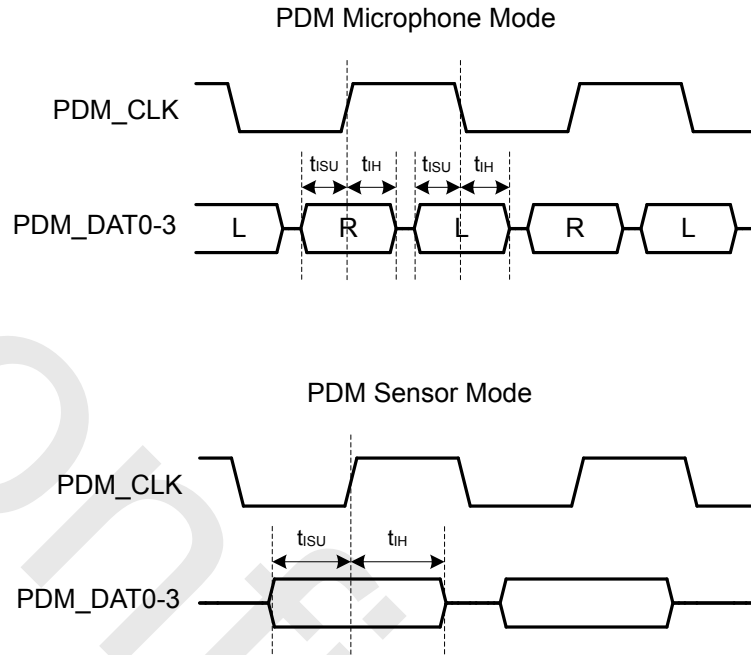


Figure 4.3. PDM Timing Diagrams

4.17.1 Pulse Density Modulator (PDM), Common DBUS

Timing specifications are for all PDM signals routed to the same DBUS (DBUSAB or DBUSCD), though routing to the same GPIO port is the optimal configuration. $C_{LOAD} < 20$ pF. System voltage scaling = VSCALE1 or VSCALE2. All GPIO set to slew rate = 6. Data delay (PDM_CFG1_DLYMUXSEL) = 0.

Table 4.37. Pulse Density Modulator (PDM), Common DBUS

Parameter	Symbol	Test Condition	Min	Typ	Max	Unit
PDM_CLK frequency during data transfer	F_{PDM_CLK}	Microphone mode	—	—	5	MHz
		Sensor mode	—	—	20	MHz
PDM_CLK duty cycle	DC_{PDM_CLK}		47.5	—	52.5	%
PDM_CLK rise time	t_R		—	—	5.5	ns
PDM_CLK fall time	t_F		—	—	5.5	ns
Input setup time	t_{ISU}	Microphone mode	30	—	—	ns
		Sensor mode	20	—	—	ns
Input hold time	t_{IH}		3	—	—	ns

4.18 USART SPI Master Timing

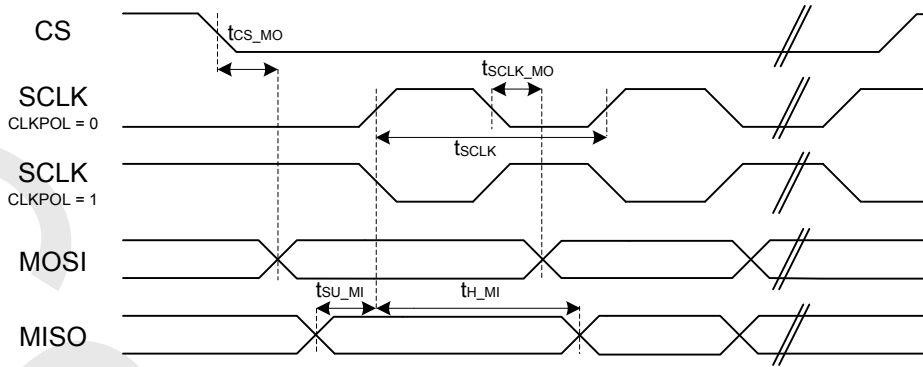


Figure 4.4. SPI Master Timing (SMSDELAY = 0)

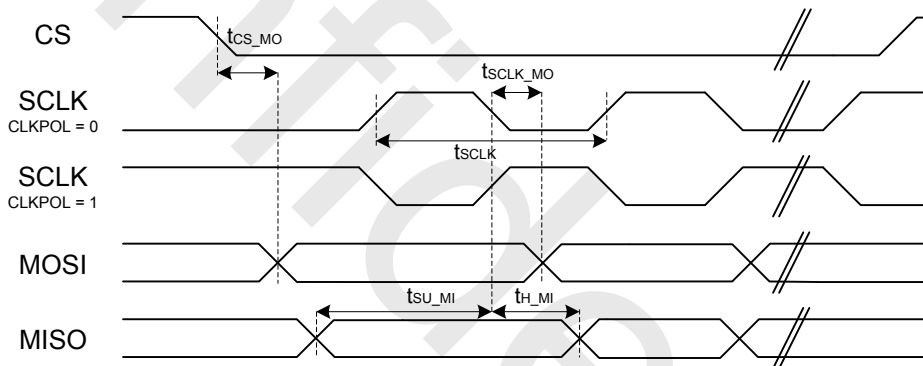


Figure 4.5. SPI Master Timing (SMSDELAY = 1)

4.18.1 SPI Master Timing, Voltage Scaling = VSCALE2

Table 4.38. SPI Master Timing, Voltage Scaling = VSCALE2

Parameter	Symbol	Test Condition	Min	Typ	Max	Unit
SCLK period ^{1 2 3}	t _{SCLK}		2*t _{HFPERCLK}	—	—	ns
CS to MOSI ^{1 2}	t _{CS_MO}		-22	—	22.5	ns
SCLK to MOSI ^{1 2}	t _{SCLK_MO}		-14.5	—	14.5	ns
MISO setup time ^{1 2}	t _{SU_MI}	IOVDD = 1.62 V	38.5	—	—	ns
		IOVDD = 3.0 V	28.5	—	—	ns
MISO hold time ^{1 2}	t _{H_MI}		-8.5	—	—	ns

Note:

1. Applies for both CLKPHA = 0 and CLKPHA = 1
2. Measurement done with 8 pF output loading at 10% and 90% of V_{DD}.
3. t_{HFPERCLK} is one period of the selected HFPERCLK.

4.18.2 SPI Master Timing, Voltage Scaling = VSCALE1

Table 4.39. SPI Master Timing, Voltage Scaling = VSCALE1

Parameter	Symbol	Test Condition	Min	Typ	Max	Unit
SCLK period ^{1 2 3}	t _{SCLK}		2*t _{HFPERCLK}	—	—	ns
CS to MOSI ^{1 2}	t _{CS_MO}		-33	—	34.5	ns
SCLK to MOSI ^{1 2}	t _{SCLK_MO}		-15	—	26	ns
MISO setup time ^{1 2}	t _{SU_MI}	IOVDD = 1.62 V	47	—	—	ns
		IOVDD = 3.0 V	39	—	—	ns
MISO hold time ^{1 2}	t _{H_MI}		-9.5	—	—	ns

Note:

1. Applies for both CLKPHA = 0 and CLKPHA = 1
2. Measurement done with 8 pF output loading at 10% and 90% of V_{DD}.
3. t_{HFPERCLK} is one period of the selected HFPERCLK.

4.19 USART SPI Slave Timing

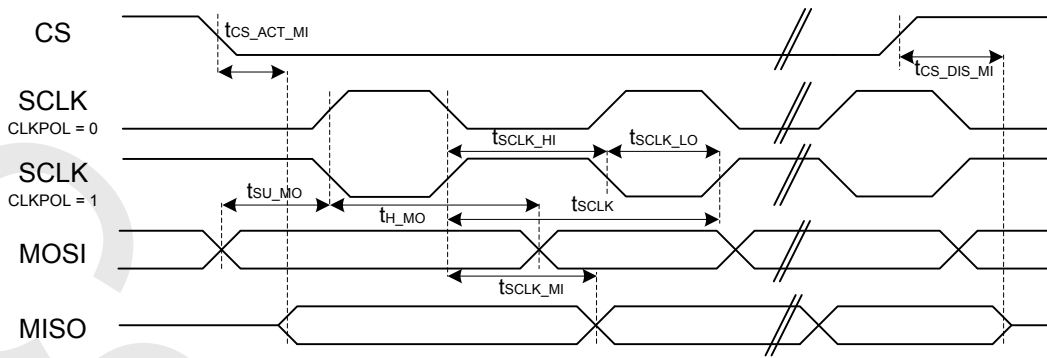


Figure 4.6. SPI Slave Timing

4.19.1 SPI Slave Timing, Voltage Scaling = VSCALE2

Table 4.40. SPI Slave Timing, Voltage Scaling = VSCALE2

Parameter	Symbol	Test Condition	Min	Typ	Max	Unit
SCLK period ^{1 2 3}	t_{SCLK}		$6 \cdot t_{HFPERCLK}$	—	—	ns
SCLK high time ^{1 2 3}	t_{SCLK_HI}		$2.5 \cdot t_{HFPERCLK}$	—	—	ns
SCLK low time ^{1 2 3}	t_{SCLK_LO}		$2.5 \cdot t_{HFPERCLK}$	—	—	ns
CS active to MISO ^{1 2}	$t_{CS_ACT_MI}$		25	—	47.5	ns
CS disable to MISO ^{1 2}	$t_{CS_DIS_MI}$		19.5	—	38.5	ns
MOSI setup time ^{1 2}	t_{SU_MO}		4.5	—	—	ns
MOSI hold time ^{1 2 3}	t_{H_MO}		5	—	—	ns
SCLK to MISO ^{1 2 3}	t_{SCLK_MI}		$22 + 1.5 \cdot t_{HFPERCLK}$	—	$33.5 + 2.5 \cdot t_{HFPERCLK}$	ns

Note:

1. Applies for both CLKPHA = 0 and CLKPHA = 1 (figure only shows CLKPHA = 0).
2. Measurement done with 8 pF output loading at 10% and 90% of V_{DD} (figure shows 50% of V_{DD}).
3. $t_{HFPERCLK}$ is one period of the selected HFPERCLK.

4.19.2 SPI Slave Timing, Voltage Scaling = VSCALE1

Table 4.41. SPI Slave Timing, Voltage Scaling = VSCALE1

Parameter	Symbol	Test Condition	Min	Typ	Max	Unit
SCLK period ^{1 2 3}	t _{SCLK}		6*t _{HFPERCLK}	—	—	ns
SCLK high time ^{1 2 3}	t _{SCLK_HI}		2.5*t _{HFPERCLK}	—	—	ns
SCLK low time ^{1 2 3}	t _{SCLK_LO}		2.5*t _{HFPERCLK}	—	—	ns
CS active to MISO ^{1 2}	t _{CS_ACT_MI}		30.5	—	57.5	ns
CS disable to MISO ^{1 2}	t _{CS_DIS_MI}		25	—	55	ns
MOSI setup time ^{1 2}	t _{SU_MO}		7.5	—	—	ns
MOSI hold time ^{1 2 3}	t _{H_MO}		8.5	—	—	ns
SCLK to MISO ^{1 2 3}	t _{SCLK_MI}		24.5 + 1.5*t _{HFPERCLK}	—	45.5 + 2.5*t _{HFPERCLK}	ns

Note:

1. Applies for both CLKPHA = 0 and CLKPHA = 1 (figure only shows CLKPHA = 0).
2. Measurement done with 8 pF output loading at 10% and 90% of V_{DD} (figure shows 50% of V_{DD}).
3. t_{HFPERCLK} is one period of the selected HFPERCLK.

4.20 I2C Electrical Specifications

4.20.1 I2C Standard-mode (Sm)

CLHR set to 0 in the I2Cn_CTRL register.

Table 4.42. I2C Standard-mode (Sm)

Parameter	Symbol	Test Condition	Min	Typ	Max	Unit
SCL clock frequency ¹	f_{SCL}		0	—	100	kHz
SCL clock low time	t_{LOW}		4.7	—	—	μ s
SCL clock high time	t_{HIGH}		4	—	—	μ s
SDA set-up time	t_{SU_DAT}		250	—	—	ns
SDA hold time	t_{HD_DAT}		0	—	—	ns
Repeated START condition set-up time	t_{SU_STA}		4.7	—	—	μ s
Repeated START condition hold time	t_{HD_STA}		4.0	—	—	μ s
STOP condition set-up time	t_{SU_STO}		4.0	—	—	μ s
Bus free time between a STOP and START condition	t_{BUF}		4.7	—	—	μ s

Note:

1. The maximum SCL clock frequency listed is assuming that an arbitrary clock frequency is available. The maximum attainable SCL clock frequency may be slightly less using the HFXO or HFRCO due to the limited frequencies available. The CLKDIV should be set to a value that keeps the SCL clock frequency below the max value listed.

4.20.2 I2C Fast-mode (Fm)

CLHR set to 1 in the I2Cn_CTRL register.

Table 4.43. I2C Fast-mode (Fm)

Parameter	Symbol	Test Condition	Min	Typ	Max	Unit
SCL clock frequency ¹	f_{SCL}		0	—	400	kHz
SCL clock low time	t_{LOW}		1.3	—	—	μs
SCL clock high time	t_{HIGH}		0.6	—	—	μs
SDA set-up time	t_{SU_DAT}		100	—	—	ns
SDA hold time	t_{HD_DAT}		0	—	—	ns
Repeated START condition set-up time	t_{SU_STA}		0.6	—	—	μs
Repeated START condition hold time	t_{HD_STA}		0.6	—	—	μs
STOP condition set-up time	t_{SU_STO}		0.6	—	—	μs
Bus free time between a STOP and START condition	t_{BUF}		1.3	—	—	μs

Note:

- The maximum SCL clock frequency listed is assuming that an arbitrary clock frequency is available. The maximum attainable SCL clock frequency may be slightly less using the HFXO or HFRCO due to the limited frequencies available. The CLKDIV should be set to a value that keeps the SCL clock frequency below the max value listed.

4.20.3 I2C Fast-mode Plus (Fm+)

CLHR set to 1 in the I2Cn_CTRL register.

Table 4.44. I2C Fast-mode Plus (Fm+)

Parameter	Symbol	Test Condition	Min	Typ	Max	Unit
SCL clock frequency ¹	f _{SCL}		0	—	1000	kHz
SCL clock low time	t _{LOW}		0.5	—	—	μs
SCL clock high time	t _{HIGH}		0.26	—	—	μs
SDA set-up time	t _{SU_DAT}		50	—	—	ns
SDA hold time	t _{HD_DAT}		0	—	—	ns
Repeated START condition set-up time	t _{SU_STA}		0.26	—	—	μs
Repeated START condition hold time	t _{HD_STA}		0.26	—	—	μs
STOP condition set-up time	t _{SU_STO}		0.26	—	—	μs
Bus free time between a STOP and START condition	t _{BUF}		0.5	—	—	μs

Note:

1. The maximum SCL clock frequency listed is assuming that an arbitrary clock frequency is available. The maximum attainable SCL clock frequency may be slightly less using the HFXO or HFRCO due to the limited frequencies available. The CLKDIV should be set to a value that keeps the SCL clock frequency below the max value listed.

4.21 Typical Performance Curves

Typical performance curves indicate typical characterized performance under the stated conditions.

4.21.1 Supply Current

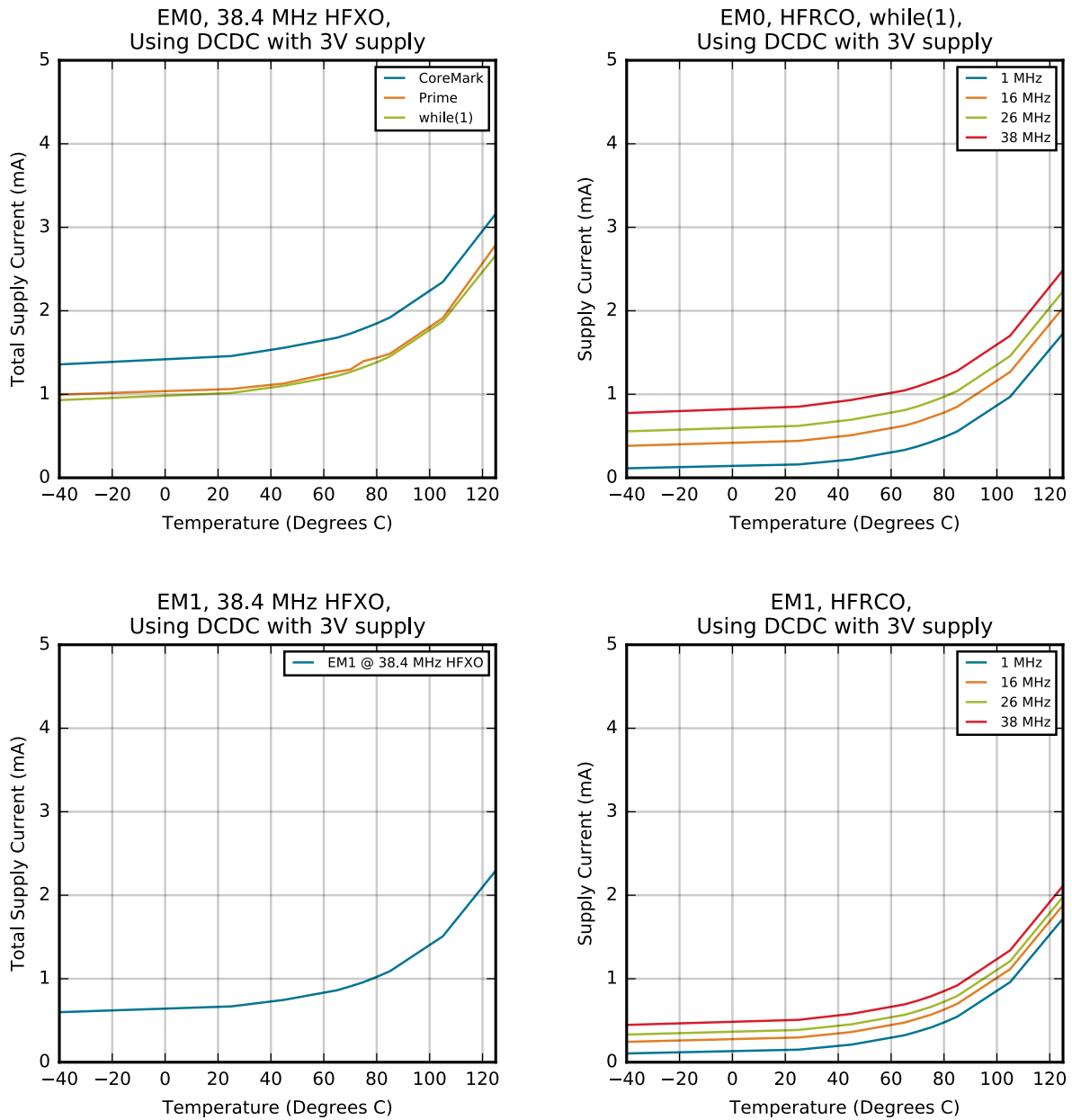


Figure 4.7. EM0 and EM1 Typical Supply Current vs. Temperature

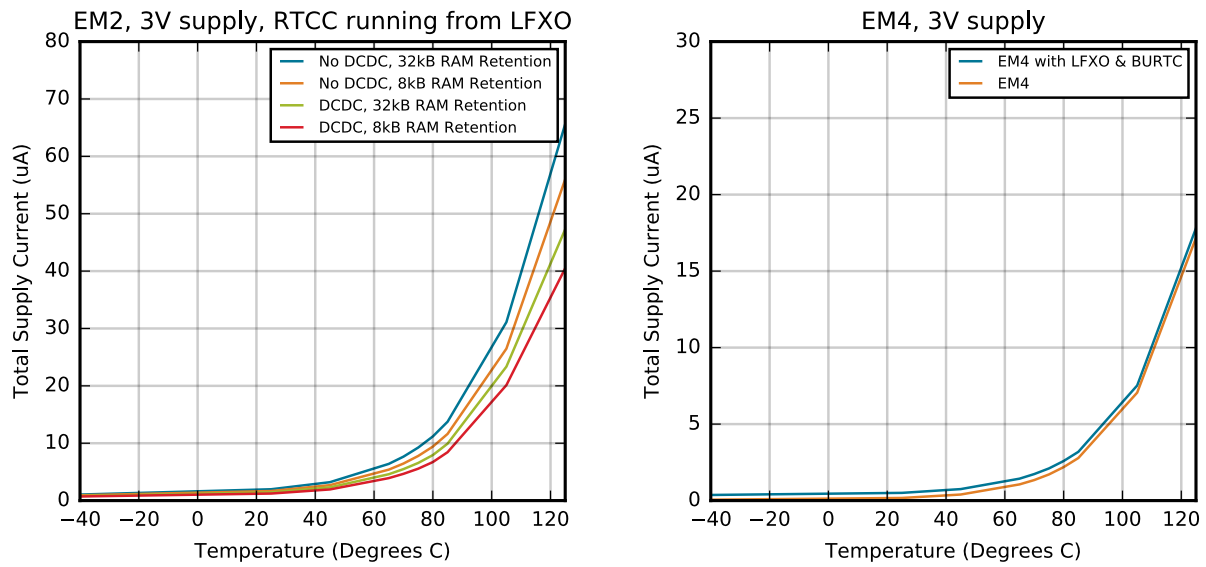


Figure 4.8. EM2 and EM4 Typical Supply Current vs. Temperature

4.21.2 RF Characteristics

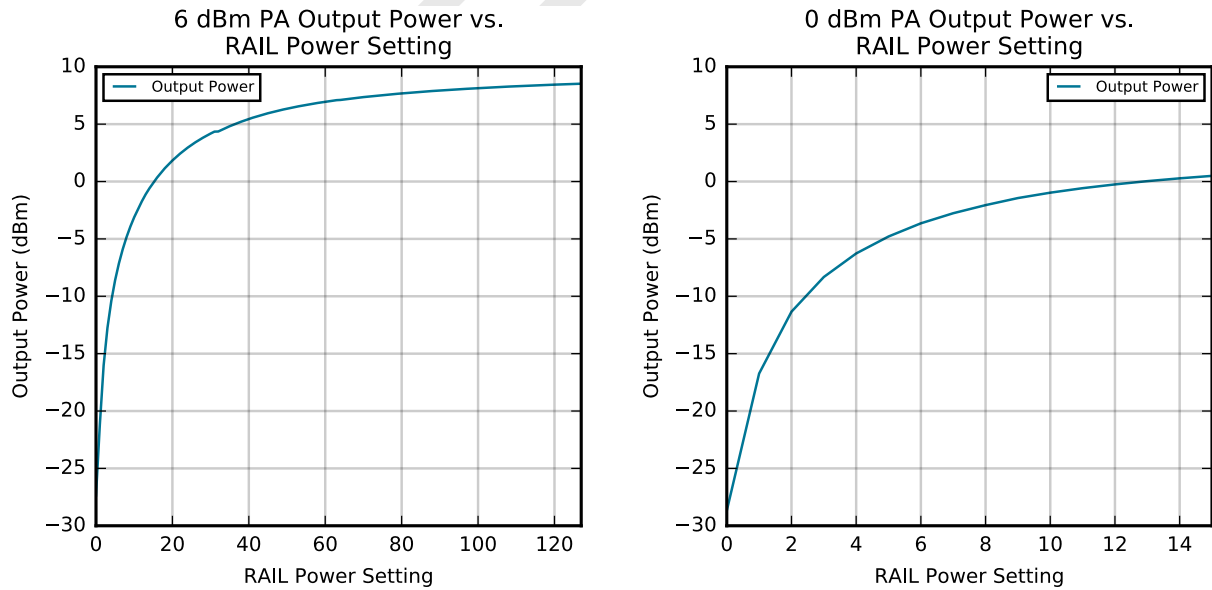


Figure 4.9. Transmitter Output Power

4.21.3 DC-DC Converter

Performance characterized with Samsung CIG22H2R2MNE ($L_{DCDC} = 2.2 \mu\text{H}$) and Samsung CL10B475KQ8NQNC ($C_{DCDC} = 4.7 \mu\text{F}$)

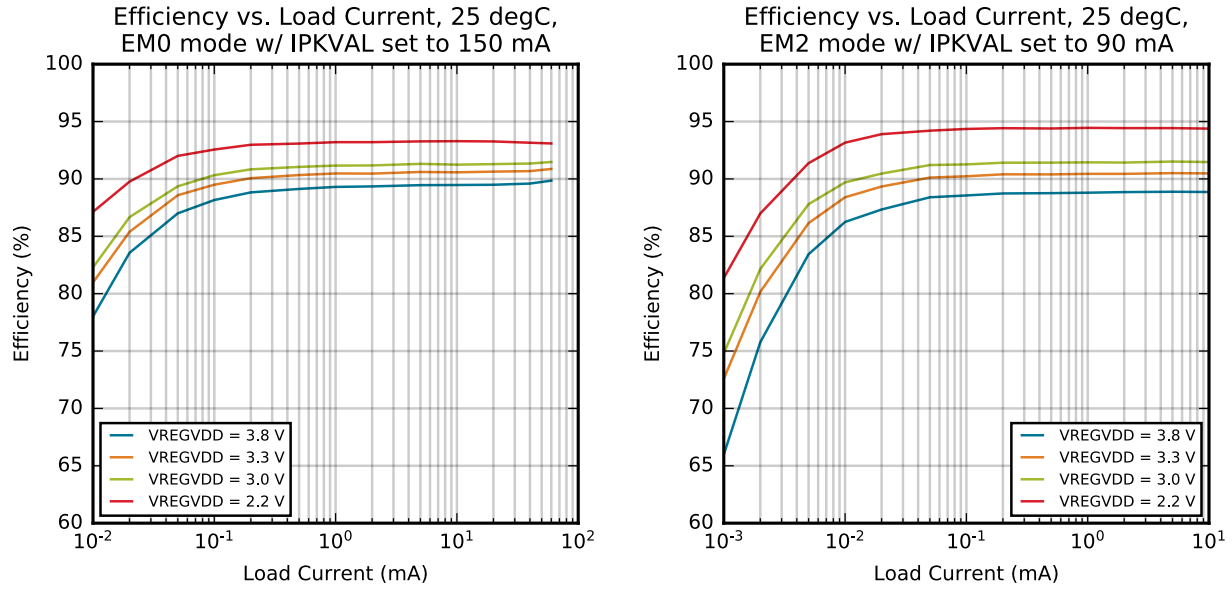


Figure 4.10. DC-DC Efficiency

5. Typical Connection Diagrams

5.1 Power

Typical power supply connections are shown in the following figures.

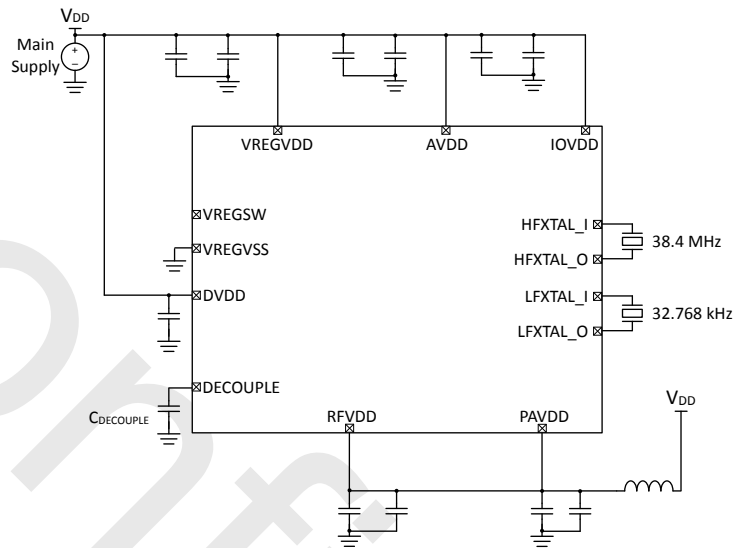


Figure 5.1. EFR32MG22 Typical Application Circuit: Direct Supply Configuration without DCDC

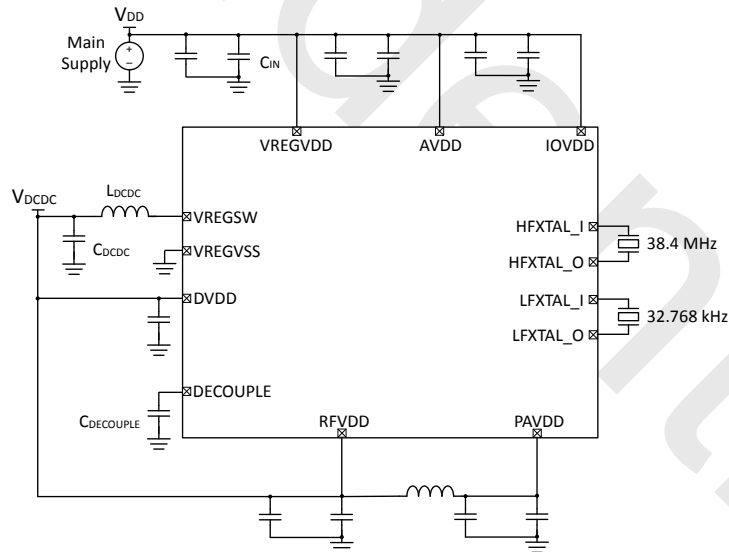


Figure 5.2. EFR32MG22 Typical Application Circuit: DCDC Configuration

5.2 RF Matching Networks

5.2.1 2.4 GHz 0 dBm Matching Network

The recommended RF matching network circuit diagram for 2.4GHz applications with a transmit power of 0 dBm or less is shown in [Figure 5.3 Typical 0 dBm 2.4 GHz RF impedance-matching network circuit on page 73](#). Typical component values are shown in [Table 5.1 2.4GHz 0 dBm Component Values on page 73](#). Please refer to the development board Bill of Materials for specific part recommendation including tolerance, component size, recommended manufacturer, and recommended part number.

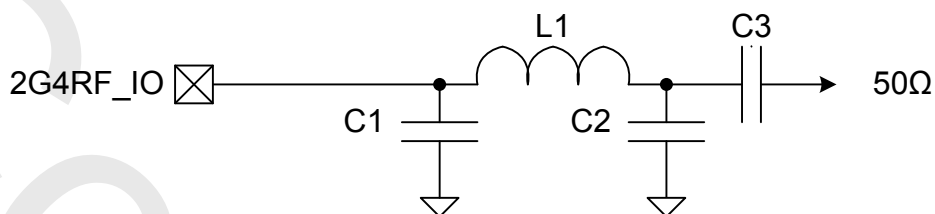


Figure 5.3. Typical 0 dBm 2.4 GHz RF impedance-matching network circuit

Table 5.1. 2.4GHz 0 dBm Component Values

Designator	Value
C1	TBD
C2	TBD
L1	TBD
C3	TBD

5.2.2 2.4 GHz 6 dBm Matching Network

The recommended RF matching network circuit diagram for 2.4GHz applications with a transmit power of greater than 0 dBm and up to 6 dBm is shown in [Figure 5.4 Typical 6 dBm 2.4 GHz RF impedance-matching network circuit on page 73](#). Typical component values are shown in [Table 5.2 2.4GHz 6 dBm Component Values on page 73](#). Please refer to the development board Bill of Materials for specific part recommendation including tolerance, component size, recommended manufacturer, and recommended part number.

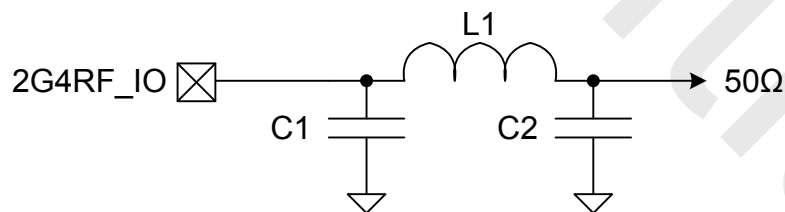


Figure 5.4. Typical 6 dBm 2.4 GHz RF impedance-matching network circuit

Table 5.2. 2.4GHz 6 dBm Component Values

Designator	Value
C1	TBD
L1	TBD
C2	TBD

5.3 Other Connections

Other components or connections may be required to meet the system-level requirements. Application Note AN0002: "Hardware Design Considerations" contains detailed information on these connections. Application Notes can be accessed on the Silicon Labs website (www.silabs.com/32bit-appnotes).

Confidential

6. Pin Definitions

6.1 QFN40 Device Pinout

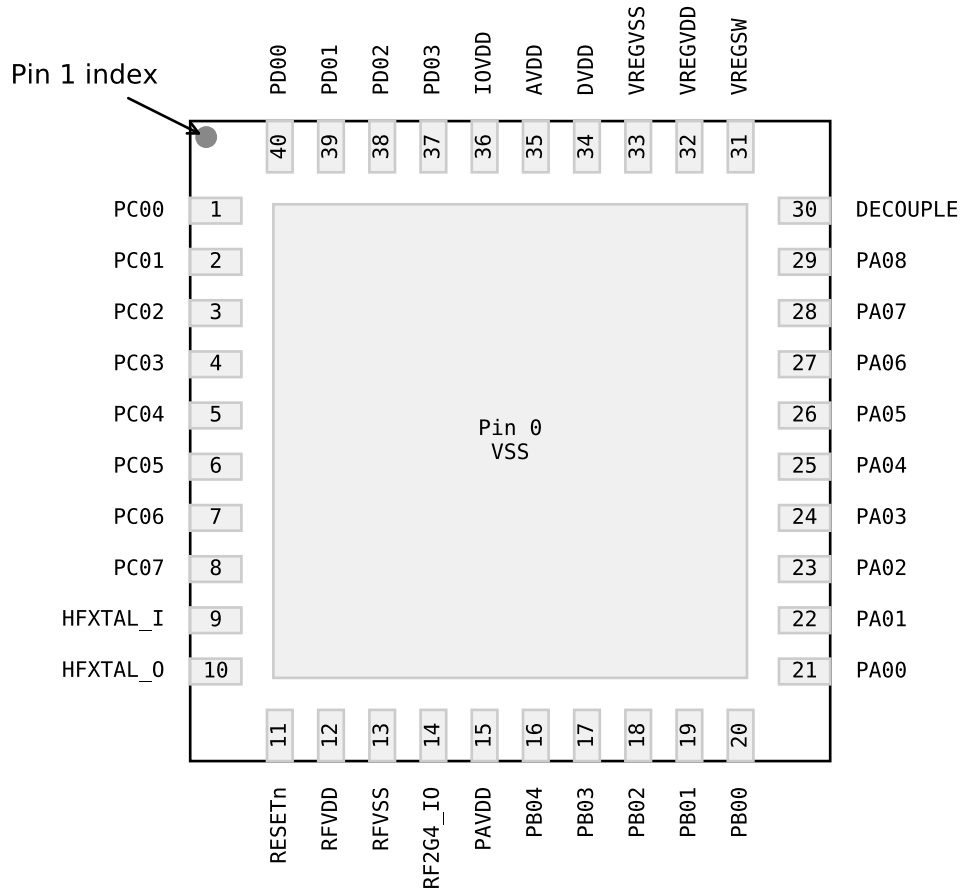


Figure 6.1. QFN40 Device Pinout

The following table provides package pin connections and general descriptions of pin functionality. For detailed information on the supported features for each GPIO pin, see [6.4 Alternate Function Table](#), [6.5 Analog Peripheral Connectivity](#), and [6.6 Digital Peripheral Connectivity](#).

Table 6.1. QFN40 Device Pinout

Pin Name	Pin(s)	Description	Pin Name	Pin(s)	Description
PC00	1	GPIO	PC01	2	GPIO
PC02	3	GPIO	PC03	4	GPIO
PC04	5	GPIO	PC05	6	GPIO
PC06	7	GPIO	PC07	8	GPIO
HFXTAL_I	9	High Frequency Crystal Input	HFXTAL_O	10	High Frequency Crystal Output

Pin Name	Pin(s)	Description	Pin Name	Pin(s)	Description
RESETn	11	Reset Pin. The RESETn pin is internally pulled up to DVDD.	RFVDD	12	Radio power supply
RFVSS	13	Radio Ground	RF2G4_IO	14	2.4 GHz RF input/output
PAVDD	15	Power Amplifier (PA) power supply	PB04	16	GPIO
PB03	17	GPIO	PB02	18	GPIO
PB01	19	GPIO	PB00	20	GPIO
PA00	21	GPIO	PA01	22	GPIO
PA02	23	GPIO	PA03	24	GPIO
PA04	25	GPIO	PA05	26	GPIO
PA06	27	GPIO	PA07	28	GPIO
PA08	29	GPIO	DECOUPLE	30	Decouple output for on-chip voltage regulator. An external decoupling capacitor is required at this pin.
VREGSW	31	DCDC regulator switching node	VREGVDD	32	DCDC regulator input supply
VREGVSS	33	DCDC ground	DVDD	34	Digital power supply
AVDD	35	Analog power supply	IOVDD	36	I/O power supply
PD03	37	GPIO	PD02	38	GPIO
PD01	39	GPIO	PD00	40	GPIO

6.2 TQFN32 Device Pinout

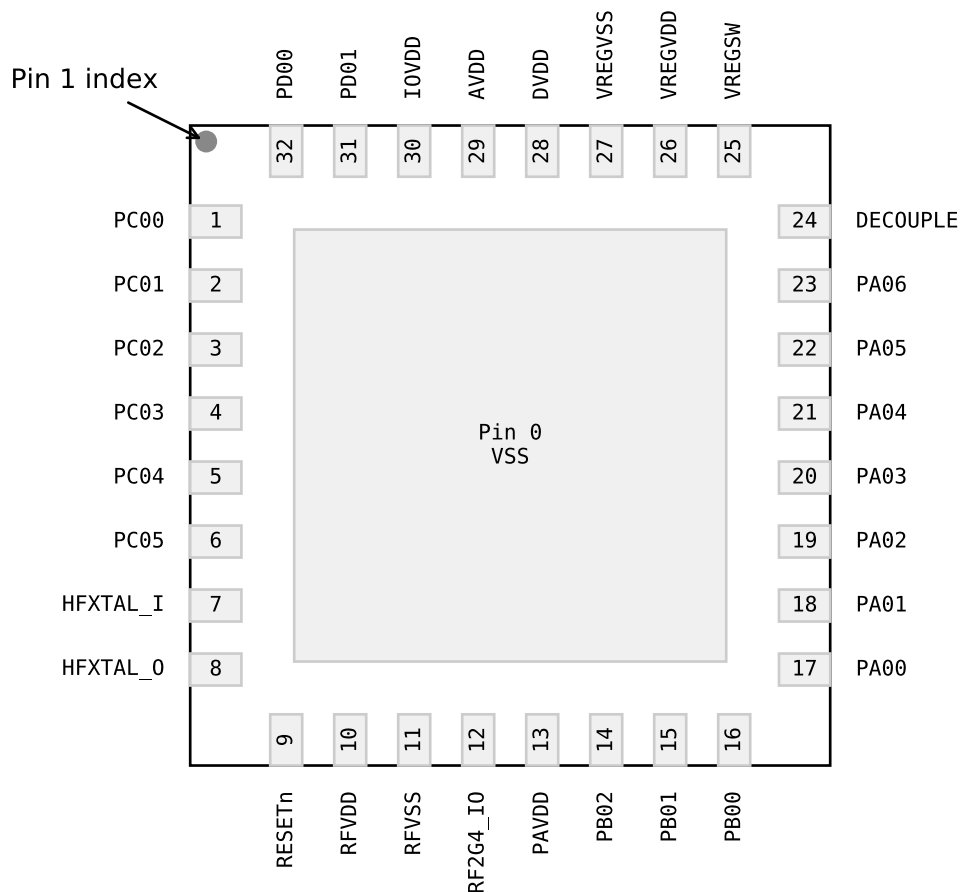


Figure 6.2. TQFN32 Device Pinout

The following table provides package pin connections and general descriptions of pin functionality. For detailed information on the supported features for each GPIO pin, see [6.4 Alternate Function Table](#), [6.5 Analog Peripheral Connectivity](#), and [6.6 Digital Peripheral Connectivity](#).

Table 6.2. TQFN32 Device Pinout

Pin Name	Pin(s)	Description	Pin Name	Pin(s)	Description
PC00	1	GPIO	PC01	2	GPIO
PC02	3	GPIO	PC03	4	GPIO
PC04	5	GPIO	PC05	6	GPIO
HFXTAL_I	7	High Frequency Crystal Input	HFXTAL_O	8	High Frequency Crystal Output
RESETn	9	Reset Pin. The RESETn pin is internally pulled up to DVDD.	RFVDD	10	Radio power supply
RFVSS	11	Radio Ground	RF2G4_IO	12	2.4 GHz RF input/output

Pin Name	Pin(s)	Description	Pin Name	Pin(s)	Description
PAVDD	13	Power Amplifier (PA) power supply	PB02	14	GPIO
PB01	15	GPIO	PB00	16	GPIO
PA00	17	GPIO	PA01	18	GPIO
PA02	19	GPIO	PA03	20	GPIO
PA04	21	GPIO	PA05	22	GPIO
PA06	23	GPIO	DECOUPLE	24	Decouple output for on-chip voltage regulator. An external decoupling capacitor is required at this pin.
VREGSW	25	DCDC regulator switching node	VREGVDD	26	DCDC regulator input supply
VREGVSS	27	DCDC ground	DVDD	28	Digital power supply
AVDD	29	Analog power supply	IOVDD	30	I/O power supply
PD01	31	GPIO	PD00	32	GPIO

6.3 QFN32 Device Pinout

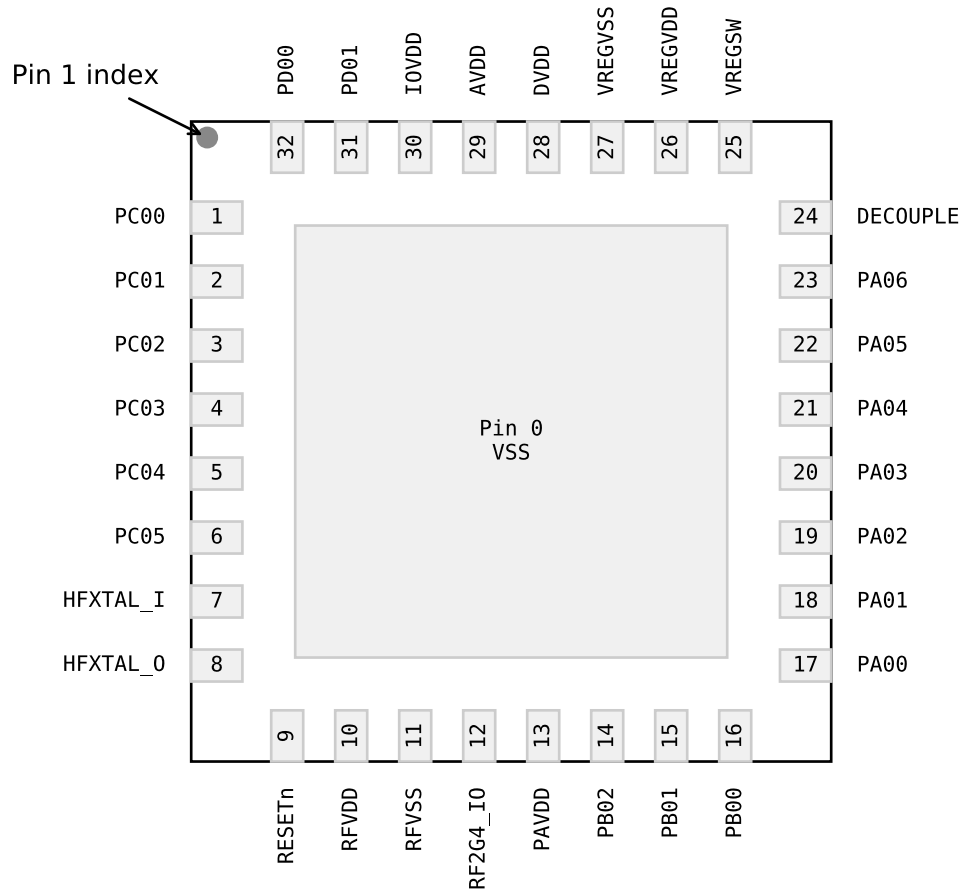


Figure 6.3. QFN32 Device Pinout

The following table provides package pin connections and general descriptions of pin functionality. For detailed information on the supported features for each GPIO pin, see [6.4 Alternate Function Table](#), [6.5 Analog Peripheral Connectivity](#), and [6.6 Digital Peripheral Connectivity](#).

Table 6.3. QFN32 Device Pinout

Pin Name	Pin(s)	Description	Pin Name	Pin(s)	Description
PC00	1	GPIO	PC01	2	GPIO
PC02	3	GPIO	PC03	4	GPIO
PC04	5	GPIO	PC05	6	GPIO
HFXTAL_I	7	High Frequency Crystal Input	HFXTAL_O	8	High Frequency Crystal Output
RESETn	9	Reset Pin. The RESETn pin is internally pulled up to DVDD.	RFVDD	10	Radio power supply
RFVSS	11	Radio Ground	RF2G4_IO	12	2.4 GHz RF input/output

Pin Name	Pin(s)	Description	Pin Name	Pin(s)	Description
PAVDD	13	Power Amplifier (PA) power supply	PB02	14	GPIO
PB01	15	GPIO	PB00	16	GPIO
PA00	17	GPIO	PA01	18	GPIO
PA02	19	GPIO	PA03	20	GPIO
PA04	21	GPIO	PA05	22	GPIO
PA06	23	GPIO	DECOUPLE	24	Decouple output for on-chip voltage regulator. An external decoupling capacitor is required at this pin.
VREGSW	25	DCDC regulator switching node	VREGVDD	26	DCDC regulator input supply
VREGVSS	27	DCDC ground	DVDD	28	Digital power supply
AVDD	29	Analog power supply	IOVDD	30	I/O power supply
PD01	31	GPIO	PD00	32	GPIO

6.4 Alternate Function Table

A wide selection of alternate functionality is available for multiplexing to various pins. The following table shows what functions are available on each device pin.

Table 6.4. GPIO Alternate Function Table

GPIO	Alternate Function				
PC00	GPIO.EM4WU6	GPIO.THMSW_EN	GPIO.THMSW_HAL FSWITCH		
PC05	GPIO.EM4WU7				
PC07	GPIO.EM4WU8				
PB03	GPIO.EM4WU4				
PB01	GPIO.EM4WU3				
PB00	IADC0.VREFN				
PA00	IADC0.VREFP				
PA01	GPIO.SWCLK				
PA02	GPIO.SWDIO				
PA03	GPIO.SWV	GPIO.TDO	GPIO.TRACEDA- TA0		
PA04	GPIO.TDI	GPIO.TRACECLK			
PA05	GPIO.EM4WU0				
PD02	GPIO.EM4WU9				
PD01	LFXO.LFXTAL_I	LFXO.LF_EXTCLK			
PD00	LFXO.LFXTAL_O				

6.5 Analog Peripheral Connectivity

Many analog resources are routable and can be connected to numerous GPIO's. The table below indicates which peripherals are available on each GPIO port. When a differential connection is being used Positive inputs are restricted to the EVEN pins and Negative inputs are restricted to the ODD pins. When a single ended connection is being used positive input is available on all pins. See the device Reference Manual for more details on the ABUS and analog peripherals.

Table 6.5. ABUS Routing Table

Peripheral	Signal	PA		PB		PC		PD	
		EVEN	ODD	EVEN	ODD	EVEN	ODD	EVEN	ODD
IADC0	ana_neg	Yes	Yes	Yes	Yes	Yes	Yes	Yes	Yes
	ana_pos	Yes	Yes	Yes	Yes	Yes	Yes	Yes	Yes

6.6 Digital Peripheral Connectivity

Many digital resources are routable and can be connected to numerous GPIO's. The table below indicates which peripherals are available on each GPIO port.

Table 6.6. DBUS Routing Table

Peripheral.Resource	PORT			
	PA	PB	PC	PD
CMU.CLKIN0			Available	Available
CMU.CLKOUT0			Available	Available
CMU.CLKOUT1			Available	Available
CMU.CLKOUT2	Available	Available		
EUART0.CTS	Available	Available	Available	Available
EUART0.RTS	Available	Available	Available	Available
EUART0.RX	Available	Available	Available	Available
EUART0.TX	Available	Available	Available	Available
FRC.DCLK			Available	Available
FRC.DFRAME			Available	Available
FRC.DOUT			Available	Available
I2C0.SCL	Available	Available	Available	Available
I2C0.SDA	Available	Available	Available	Available
I2C1.SCL			Available	Available
I2C1.SDA			Available	Available
LETIMER0.OUT0	Available	Available		
LETIMER0.OUT1	Available	Available		
MODEM.ANT0	Available	Available	Available	Available
MODEM.ANT1	Available	Available	Available	Available
MODEM.ANT_ROLL_OVER			Available	Available
MODEM.ANT_RR0			Available	Available
MODEM.ANT_RR1			Available	Available
MODEM.ANT_RR2			Available	Available
MODEM.ANT_RR3			Available	Available
MODEM.ANT_RR4			Available	Available
MODEM.ANT_RR5			Available	Available
MODEM.ANT_SW_EN			Available	Available
MODEM.ANT_SW_US			Available	Available
MODEM.ANT_TRIG			Available	Available
MODEM.ANT_TRIG_STOP			Available	Available
MODEM.DCLK	Available	Available		

Peripheral.Resource	PORT			
	PA	PB	PC	PD
MODEM.DIN	Available	Available		
MODEM.DOUT	Available	Available		
PDM.CLK	Available	Available	Available	Available
PDM.DAT0	Available	Available	Available	Available
PDM.DAT1	Available	Available	Available	Available
PRS.ASYNCH0	Available	Available		
PRS.ASYNCH1	Available	Available		
PRS.ASYNCH10			Available	Available
PRS.ASYNCH11			Available	Available
PRS.ASYNCH2	Available	Available		
PRS.ASYNCH3	Available	Available		
PRS.ASYNCH4	Available	Available		
PRS.ASYNCH5	Available	Available		
PRS.ASYNCH6			Available	Available
PRS.ASYNCH7			Available	Available
PRS.ASYNCH8			Available	Available
PRS.ASYNCH9			Available	Available
PRS.SYNCH0	Available	Available	Available	Available
PRS.SYNCH1	Available	Available	Available	Available
PRS.SYNCH2	Available	Available	Available	Available
PRS.SYNCH3	Available	Available	Available	Available
TIMER0.CC0	Available	Available	Available	Available
TIMER0.CC1	Available	Available	Available	Available
TIMER0.CC2	Available	Available	Available	Available
TIMER0.CDTI0	Available	Available	Available	Available
TIMER0.CDTI1	Available	Available	Available	Available
TIMER0.CDTI2	Available	Available	Available	Available
TIMER1.CC0	Available	Available	Available	Available
TIMER1.CC1	Available	Available	Available	Available
TIMER1.CC2	Available	Available	Available	Available
TIMER1.CDTI0	Available	Available	Available	Available
TIMER1.CDTI1	Available	Available	Available	Available
TIMER1.CDTI2	Available	Available	Available	Available
TIMER2.CC0	Available	Available		
TIMER2.CC1	Available	Available		
TIMER2.CC2	Available	Available		

Peripheral.Resource	PORT			
	PA	PB	PC	PD
TIMER2.CDTI0	Available	Available		
TIMER2.CDTI1	Available	Available		
TIMER2.CDTI2	Available	Available		
TIMER3.CC0			Available	Available
TIMER3.CC1			Available	Available
TIMER3.CC2			Available	Available
TIMER3.CDTI0			Available	Available
TIMER3.CDTI1			Available	Available
TIMER3.CDTI2			Available	Available
TIMER4.CC0	Available	Available		
TIMER4.CC1	Available	Available		
TIMER4.CC2	Available	Available		
TIMER4.CDTI0	Available	Available		
TIMER4.CDTI1	Available	Available		
TIMER4.CDTI2	Available	Available		
USART0.CLK	Available	Available	Available	Available
USART0.CS	Available	Available	Available	Available
USART0.CTS	Available	Available	Available	Available
USART0.RTS	Available	Available	Available	Available
USART0.RX	Available	Available	Available	Available
USART0.TX	Available	Available	Available	Available
USART1.CLK	Available	Available		
USART1.CS	Available	Available		
USART1.CTS	Available	Available		
USART1.RTS	Available	Available		
USART1.RX	Available	Available		
USART1.TX	Available	Available		

7. QFN32 Package Specifications

7.1 QFN32 Package Dimensions

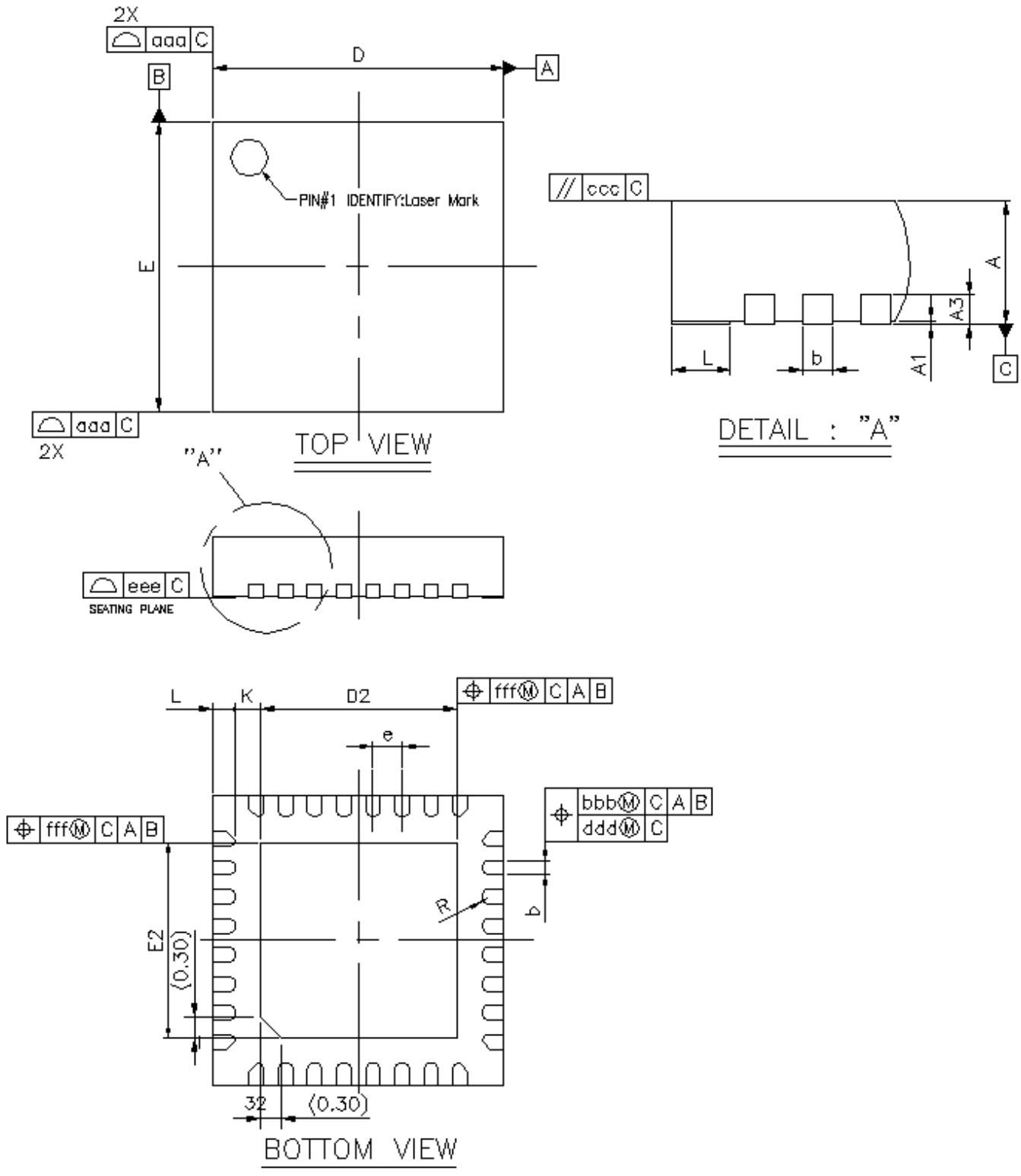


Figure 7.1. QFN32 Package Drawing

Table 7.1. QFN32 Package Dimensions

Dimension	Min	Typ	Max
A	0.80	0.85	0.90
A1	0.00	0.02	0.05
A3	0.20 REF		
b	0.15	0.20	0.25
D	3.90	4.00	4.10
E	3.90	4.00	4.10
D2	2.60	2.70	2.80
E2	2.60	2.70	2.80
e	0.40 BSC		
L	0.20	0.30	0.40
K	0.20	—	—
R	0.075	—	0.125
aaa	0.10		
bbb	0.07		
ccc	0.10		
ddd	0.05		
eee	0.08		
fff	0.10		

Note:

1. All dimensions shown are in millimeters (mm) unless otherwise noted.
2. Dimensioning and Tolerancing per ANSI Y14.5M-1994.
3. This drawing conforms to the JEDEC Solid State Outline MO-220, Variation VKKD-4.
4. Recommended card reflow profile is per the JEDEC/IPC J-STD-020 specification for Small Body Components.

7.2 QFN32 PCB Land Pattern

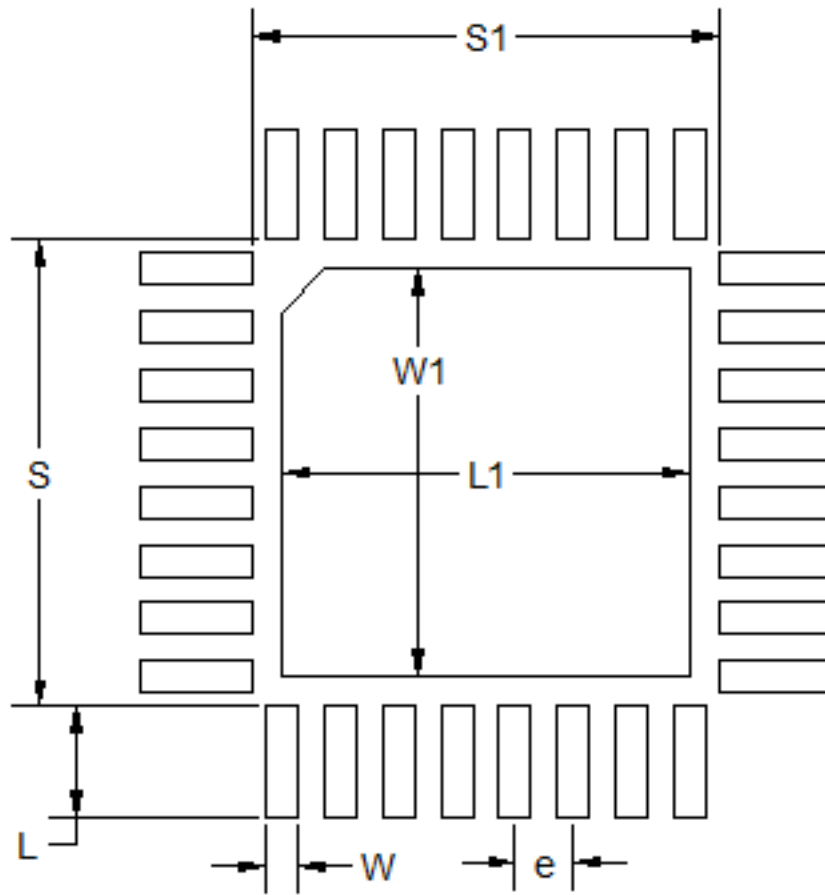


Figure 7.2. QFN32 PCB Land Pattern Drawing

Table 7.2. QFN32 PCB Land Pattern Dimensions

Dimension	Typ
L	0.76
W	0.22
e	0.40
S	3.21
S1	3.21
L1	2.80
W1	2.80

Note:

1. All dimensions shown are in millimeters (mm) unless otherwise noted.
2. This Land Pattern Design is based on the IPC-7351 guidelines.
3. All metal pads are to be non-solder mask defined (NSMD). Clearance between the solder mask and the metal pad is to be 60 μ m minimum, all the way around the pad.
4. A stainless steel, laser-cut and electro-polished stencil with trapezoidal walls should be used to assure good solder paste release.
5. The stencil thickness should be 0.101 mm (4 mils).
6. The ratio of stencil aperture to land pad size can be 1:1 for all perimeter pads.
7. A 2x2 array of 1.10 mm x 1.10 mm openings on a 1.30 mm pitch can be used for the center ground pad.
8. A No-Clean, Type-3 solder paste is recommended.
9. The recommended card reflow profile is per the JEDEC/IPC J-STD-020 specification for Small Body Components.
10. ***Above notes and stencil design are shared as recommendations only. A customer or user may find it necessary to use different parameters and fine tune their SMT process as required for their application and tooling.***

7.3 QFN32 Package Marking

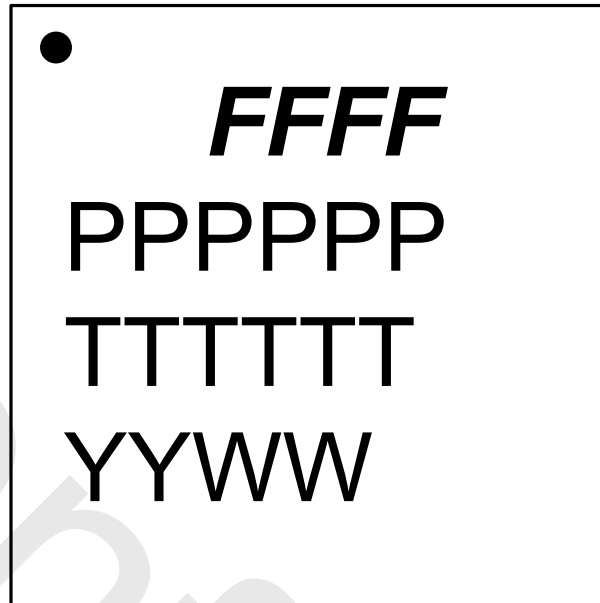


Figure 7.3. QFN32 Package Marking

The package marking consists of:

- FFFF – The product family codes.
 1. Family Code (B | M | F)
 2. G (Gecko)
 3. Series (2)
 4. Device Configuration (1, 2, 3, ...)
- PPPPPP – The product option codes.
 - 1-2. MCU Feature Codes
 - 3-4. Radio Feature Codes
 - 5. Flash (J = 1024k | I = 768k | H = 512k | W= 352k | G = 256k | F = 128k)
 - 6. Temperature grade (G = -40 to 85 °C | I = -40 to 125 °C)
- TTTTTT – A trace or manufacturing code. The first letter is the device revision.
- YY – The last 2 digits of the assembly year.
- WW – The 2-digit workweek when the device was assembled.

8. TQFN32 Package Specifications

8.1 TQFN32 Package Dimensions

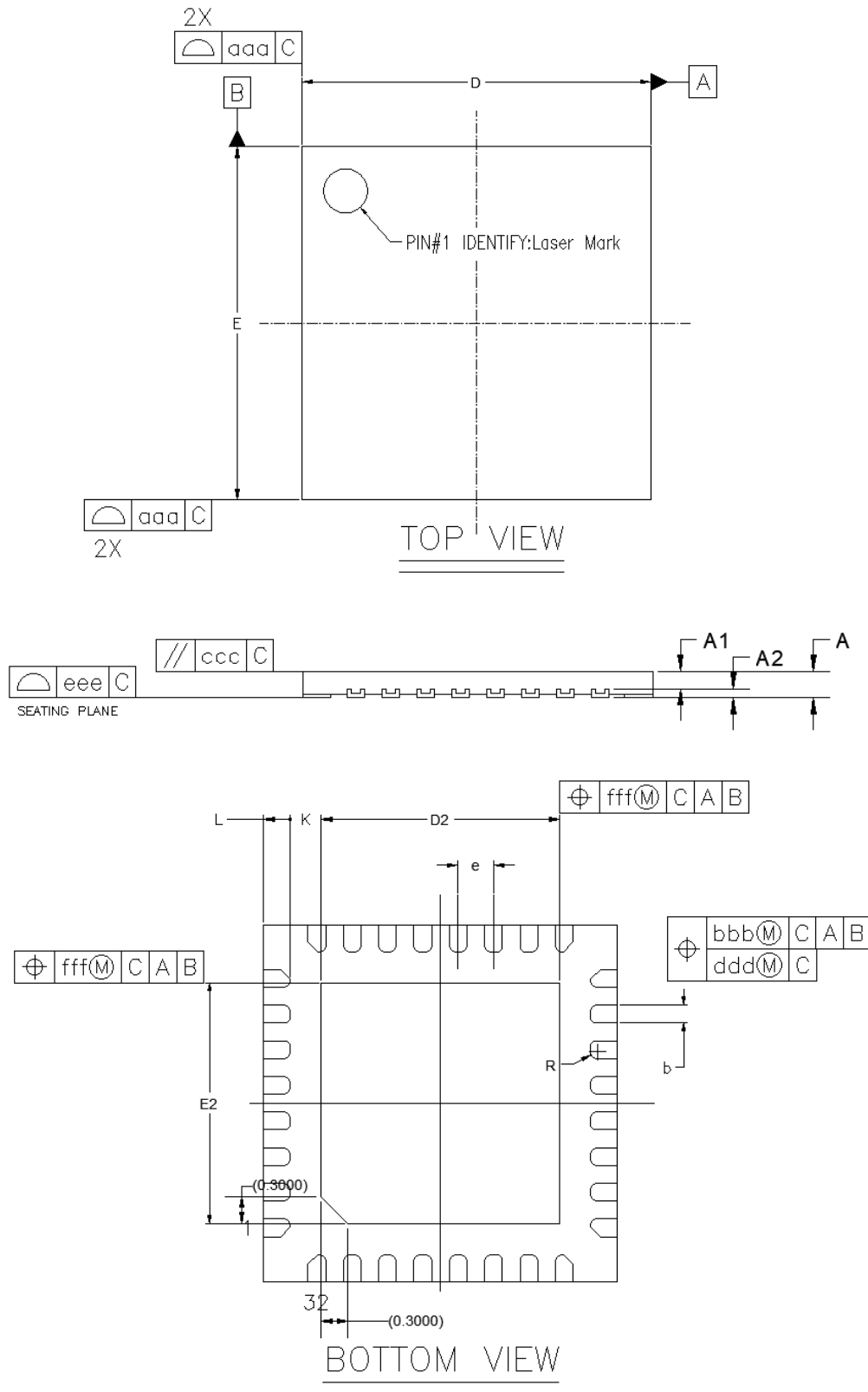


Figure 8.1. TQFN32 Package Drawing

Table 8.1. TQFN32 Package Dimensions

Dimension	Min	Typ	Max
A	0.27	0.30	0.33
A1	0.20 REF		
A2	0.10 REF		
b	0.15	0.20	0.25
D	3.90	4.00	4.10
E	3.90	4.00	4.10
D2	2.60	2.70	2.80
E2	2.60	2.70	2.80
e	0.40 BSC		
L	0.31	0.32	0.33
K	0.33 REF		
R	0.075	—	0.125
aaa	0.10		
bbb	0.07		
ccc	0.10		
ddd	0.05		
eee	0.08		
fff	0.10		

Note:

1. All dimensions shown are in millimeters (mm) unless otherwise noted.
2. Dimensioning and Tolerancing per ANSI Y14.5M-1994.
3. This drawing conforms to the JEDEC Solid State Outline MO-220, Variation VKKD-4.
4. Recommended card reflow profile is per the JEDEC/IPC J-STD-020 specification for Small Body Components.

8.2 TQFN32 PCB Land Pattern

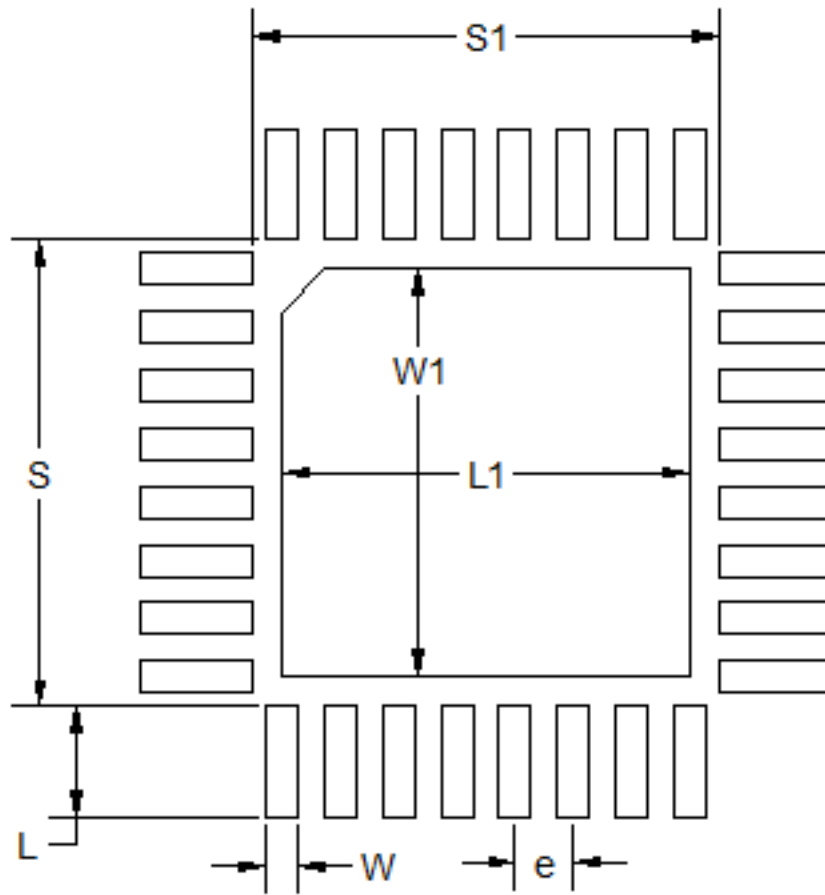


Figure 8.2. TQFN32 PCB Land Pattern Drawing

Table 8.2. TQFN32 PCB Land Pattern Dimensions

Dimension	Typ
L	0.76
W	0.22
e	0.40
S	3.21
S1	3.21
L1	2.80
W1	2.80

Note:

1. All dimensions shown are in millimeters (mm) unless otherwise noted.
2. This Land Pattern Design is based on the IPC-7351 guidelines.
3. All metal pads are to be non-solder mask defined (NSMD). Clearance between the solder mask and the metal pad is to be 60 μ m minimum, all the way around the pad.
4. A stainless steel, laser-cut and electro-polished stencil with trapezoidal walls should be used to assure good solder paste release.
5. The stencil thickness should be 0.101 mm (4 mils).
6. The ratio of stencil aperture to land pad size can be 1:1 for all perimeter pads.
7. A 2x2 array of 1.10 mm x 1.10 mm openings on a 1.30 mm pitch can be used for the center ground pad.
8. A No-Clean, Type-3 solder paste is recommended.
9. The recommended card reflow profile is per the JEDEC/IPC J-STD-020 specification for Small Body Components.
10. **Above notes and stencil design are shared as recommendations only. A customer or user may find it necessary to use different parameters and fine tune their SMT process as required for their application and tooling.**

8.3 TQFN32 Package Marking

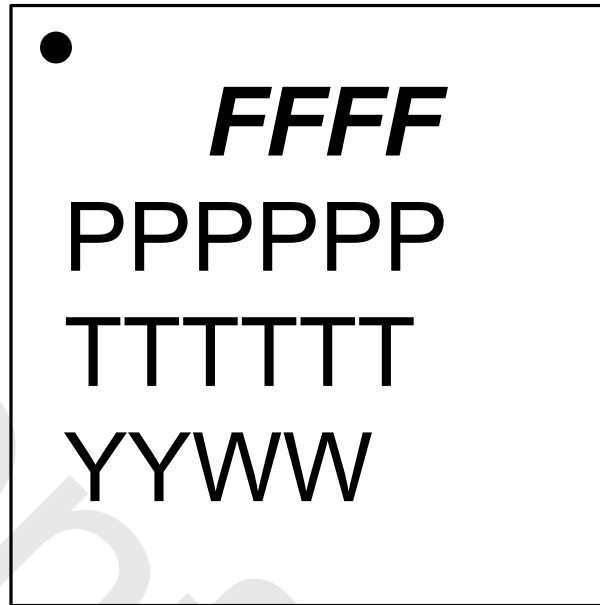


Figure 8.3. TQFN32 Package Marking

The package marking consists of:

- FFFF – The product family codes.
 1. Family Code (B | M | F)
 2. G (Gecko)
 3. Series (2)
 4. Device Configuration (1, 2, 3, ...)
- P P P P P P – The product option codes.
 - 1-2. MCU Feature Codes
 - 3-4. Radio Feature Codes
 - 5. Flash (J = 1024k | I = 768k | H = 512k | W = 352k | G = 256k | F = 128k)
 - 6. Temperature grade (G = -40 to 85 °C | I = -40 to 125 °C)
- T T T T T T – A trace or manufacturing code. The first letter is the device revision.
- Y Y – The last 2 digits of the assembly year.
- W W – The 2-digit workweek when the device was assembled.

9. QFN40 Package Specifications

9.1 QFN40 Package Dimensions

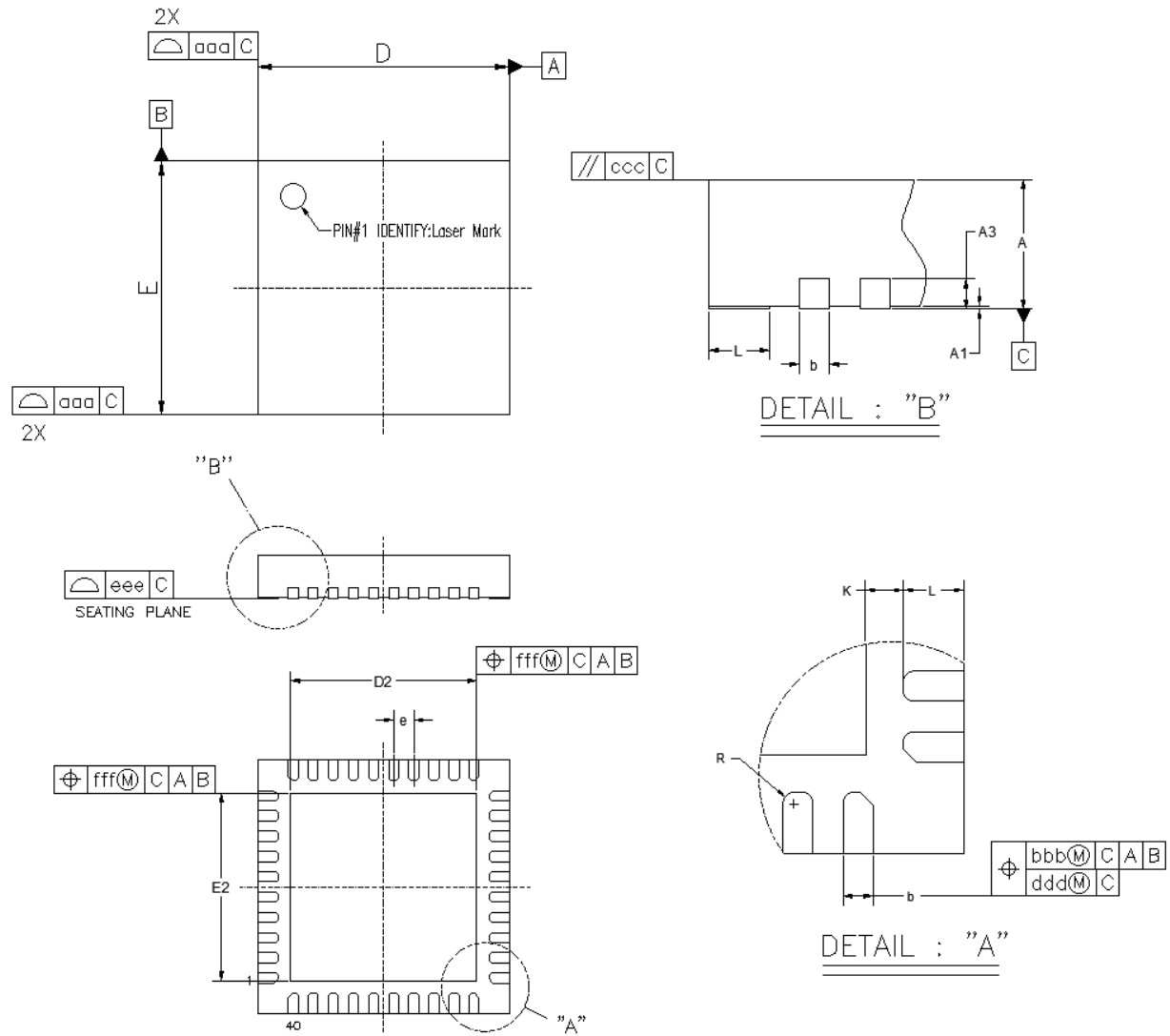


Figure 9.1. QFN40 Package Drawing

Table 9.1. QFN40 Package Dimensions

Dimension	Min	Typ	Max
A	0.80	0.85	0.90
A1	0.00	0.02	0.05
A3	0.20 REF		
b	0.15	0.20	0.25
D	4.90	5.00	5.10
E	4.90	5.00	5.10
D2	3.55	3.70	3.85
E2	3.55	3.70	3.85
e	0.40 BSC		
L	0.30	0.40	0.50
K	0.20	—	—
R	0.075	—	—
aaa	0.10		
bbb	0.07		
ccc	0.10		
ddd	0.05		
eee	0.08		
fff	0.10		

Note:

1. All dimensions shown are in millimeters (mm) unless otherwise noted.
2. Dimensioning and Tolerancing per ANSI Y14.5M-1994.
3. This drawing conforms to the JEDEC Solid State Outline MO-220, Variation VKKD-4.
4. Recommended card reflow profile is per the JEDEC/IPC J-STD-020 specification for Small Body Components.

9.2 QFN40 PCB Land Pattern

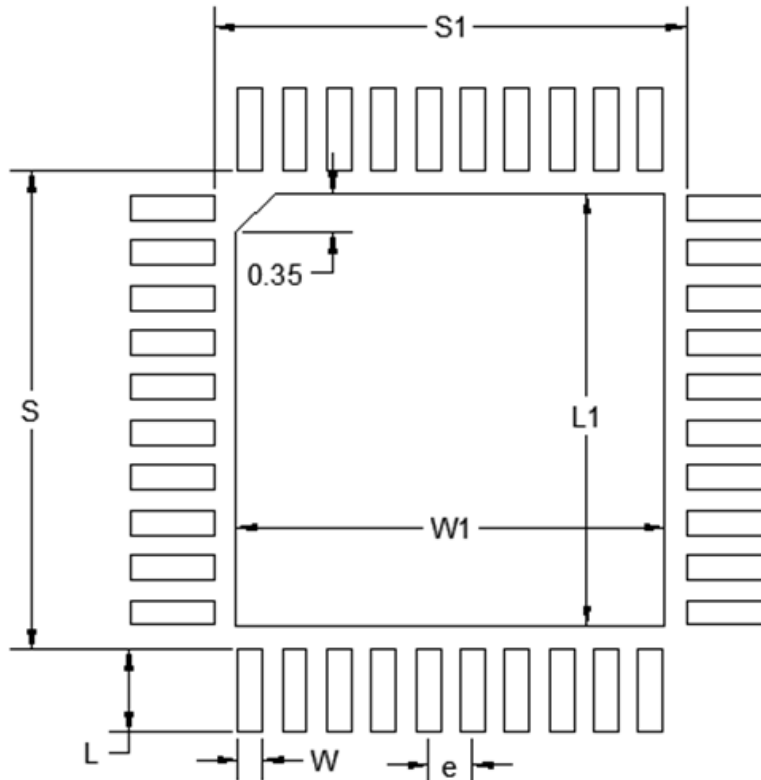


Figure 9.2. QFN40 PCB Land Pattern Drawing

Table 9.2. QFN40 PCB Land Pattern Dimensions

Dimension	Typ
S1	4.25
S	4.25
L1	3.85
W1	3.85
e	0.40
W	0.22
L	0.74

Note:

1. All dimensions shown are in millimeters (mm) unless otherwise noted.
2. This Land Pattern Design is based on the IPC-7351 guidelines.
3. A stainless steel, laser-cut and electro-polished stencil with trapezoidal walls should be used to assure good solder paste release.
4. The stencil thickness should be 0.101 mm (4 mils).
5. The ratio of stencil aperture to land pad size can be 1:1 for all perimeter pads.
6. A 3x3 array of 0.90 mm square openings on a 1.20 mm pitch can be used for the center ground pad.
7. A No-Clean, Type-3 solder paste is recommended.
8. The recommended card reflow profile is per the JEDEC/IPC J-STD-020 specification for Small Body Components.
9. **Above notes and stencil design are shared as recommendations only. A customer or user may find it necessary to use different parameters and fine tune their SMT process as required for their application and tooling.**

9.3 QFN40 Package Marking

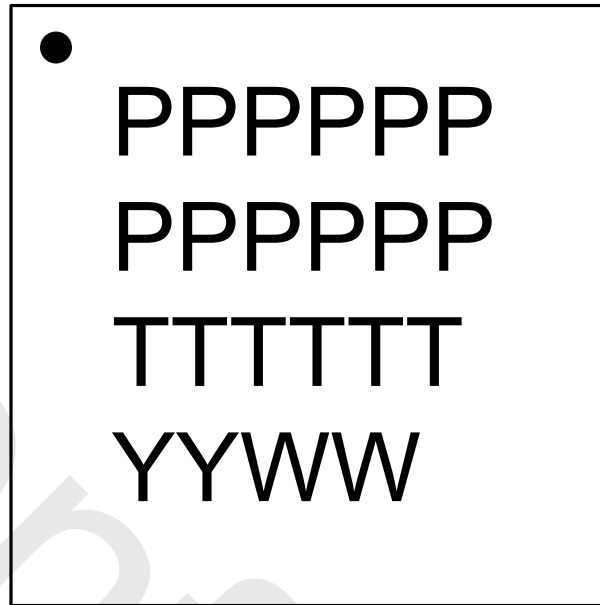


Figure 9.3. QFN40 Package Marking

The package marking consists of:

- Line 1: PPPPPP – The product family codes (TBD)
- Line 2: PPPPPP – The product option codes (TBD)
- TTTTTT – A trace or manufacturing code. The first letter is the device revision.
- YY – The last 2 digits of the assembly year.
- WW – The 2-digit workweek when the device was assembled.

10. Revision History

Revision 0.4

December, 2019

- [2. Ordering Information](#):
 - Available OPNs updated.
- [4.1 Electrical Characteristics](#):
 - Added detailed lifetime information to DC-DC specifications section.
 - Additional characterization results and preliminary test limits added where available.
- Added DC-DC efficiency plots and updated supply current plots to [4.21 Typical Performance Curves](#).

Revision 0.3

October, 2019

- In the front page block diagram, updated the lowest energy mode for LETIMER.
- Updated [3.5.2 Low Energy Timer \(LETIMER\)](#) lowest energy mode.
- [1. Feature List](#) updated with additional modulation formats, protocol stack, and security details.
- [2. Ordering Information](#):
 - OPN numbering changes for security grade differentiator.
 - Supported protocol stack details updated.
- [4.1 Electrical Characteristics](#):
 - Additional characterization results and preliminary test limits added where available.
 - Corrected maximum clock speed details in General Operating Conditions Table.
 - Removed specification lines with 3 dBm output power conditions from RF transmit tables.
 - Removed DECOUPLE BOD table.
 - Added timing diagrams and specifications for PDM and USART SPI.
- Added [4.21 Typical Performance Curves](#).

Revision 0.2

July, 2019

- Updated radio details in block diagrams on front page and in system overview.
- [2. Ordering Information](#): Updated part numbers to revision C.
- [4.1 Electrical Characteristics](#): Added early silicon characterization data to several tables, and refined specification conditions.
- [4.1 Electrical Characteristics](#): Added flash electrical characteristics table.
- Minor wording edits for System Overview sections.
- Removed references to internal product name.

Revision 0.1

March, 2019

Initial release.

Silicon Labs

Simplicity Studio™4



Simplicity Studio

One-click access to MCU and wireless tools, documentation, software, source code libraries & more. Available for Windows, Mac and Linux!



IoT Portfolio
www.silabs.com/IoT



SW/HW
www.silabs.com/simplicity



Quality
www.silabs.com/quality



Support and Community
community.silabs.com

Disclaimer

Silicon Labs intends to provide customers with the latest, accurate, and in-depth documentation of all peripherals and modules available for system and software implementers using or intending to use the Silicon Labs products. Characterization data, available modules and peripherals, memory sizes and memory addresses refer to each specific device, and "Typical" parameters provided can and do vary in different applications. Application examples described herein are for illustrative purposes only. Silicon Labs reserves the right to make changes without further notice to the product information, specifications, and descriptions herein, and does not give warranties as to the accuracy or completeness of the included information. Without prior notification, Silicon Labs may update product firmware during the manufacturing process for security or reliability reasons. Such changes will not alter the specifications or the performance of the product. Silicon Labs shall have no liability for the consequences of use of the information supplied in this document. This document does not imply or expressly grant any license to design or fabricate any integrated circuits. The products are not designed or authorized to be used within any FDA Class III devices, applications for which FDA premarket approval is required, or Life Support Systems without the specific written consent of Silicon Labs. A "Life Support System" is any product or system intended to support or sustain life and/or health, which, if it fails, can be reasonably expected to result in significant personal injury or death. Silicon Labs products are not designed or authorized for military applications. Silicon Labs products shall under no circumstances be used in weapons of mass destruction including (but not limited to) nuclear, biological or chemical weapons, or missiles capable of delivering such weapons. Silicon Labs disclaims all express and implied warranties and shall not be responsible or liable for any injuries or damages related to use of a Silicon Labs product in such unauthorized applications.

Trademark Information

Silicon Laboratories Inc.®, Silicon Laboratories®, Silicon Labs®, SiLabs® and the Silicon Labs logo®, Bluegiga®, Bluegiga Logo®, ClockBuilder®, CMEMS®, DSPLL®, EFM®, EFM32®, EFR®, Ember®, Energy Micro, Energy Micro logo and combinations thereof, "the world's most energy friendly microcontrollers", Ember®, EZLink®, EZRadio®, EZRadioPRO®, Gecko®, Gecko OS, Gecko OS Studio, ISOModem®, Precision32®, ProSLIC®, Simplicity Studio®, SiPHY®, Telegesis, the Telegesis Logo®, USBXpress®, Zentri, the Zentri logo and Zentri DMS, Z-Wave®, and others are trademarks or registered trademarks of Silicon Labs. ARM, CORTEX, Cortex-M3 and THUMB are trademarks or registered trademarks of ARM Holdings. Keil is a registered trademark of ARM Limited. Wi-Fi is a registered trademark of the Wi-Fi Alliance. All other products or brand names mentioned herein are trademarks of their respective holders.



Silicon Laboratories Inc.
400 West Cesar Chavez
Austin, TX 78701
USA

<http://www.silabs.com>