

PowerCat 6A Shielded Modules >

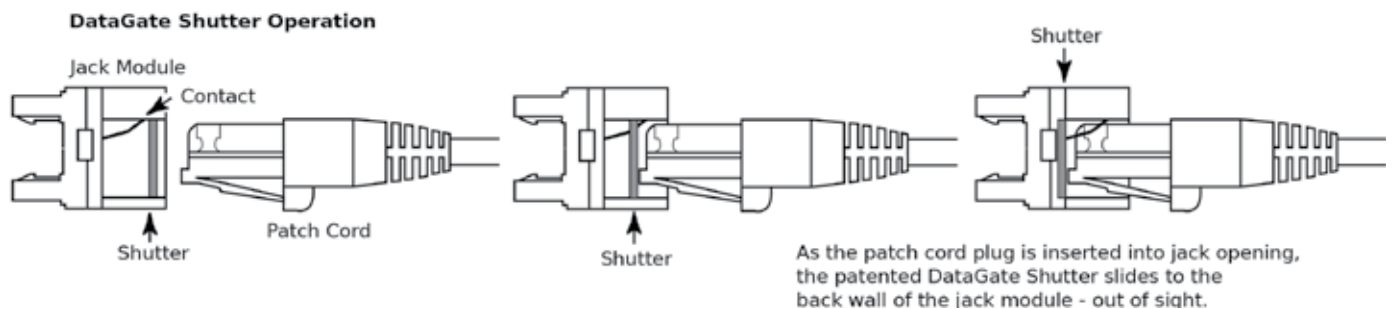


Top row, from left: MOD-Snap II module, Euromod II module, Contura module, Rear view - straight entry
Bottom row, from left: 45x45mm module, 22.5x45mm module (both Legrand Mosaic compatible), DIN 2 port module, Rear view - 2 port side entry

Molex PowerCat 6A shielded modules are an integral work area outlet for the support of a 10GBASE-T cabling system.

The Molex work area outlet modules feature the Molex shielded C6A DataGate Jack offering superior alien crosstalk suppression and enhanced electromagnetic interference (EMI) protection. Specifically designed for compatibility with UK and European wall outlet styles, the angled designs reduce patch cord bend radius preventing degradation of transmission performance.

The Molex C6A DataGate RJ45 360° shielded jack accommodates flexible cable routing by allowing 90° or 180° cable entry. Side cable entry (90°) is ideal for shallow backboxes, floor boxes and trunking where space is limited and maintaining the C6A cable bend radius is challenging. The jack also features an ingenious spring-loaded internal shutter which protects the jack from dust and contaminants, but also ejects improperly seated patch cords.



The jack IDC is dual color coded for either 568A or 568B wiring and backwards compatible with C6 and C5e shielded systems. The IDC's V-shaped contacts are patented and are designed to flex, not fatigue when terminated, for reliable re-termination and longevity.

Molex recommends the full range of PowerCat 6A shielded products are deployed in a system to maximize cabling performance. The PowerCat 6A shielded system is compliant with ANSI/TIA-568.2-D-2018 and ISO 11801:2017 for the support of 10GBASE-T.

www.molex.com/products/copper/cat6A/

PowerCat 6A Shielded Modules >

FEATURES AND ADVANTAGES

Compatible with UK and European wall plate styles	360° shielded C6A DataGate Jack provides superior alien cross-talk suppression and enhanced electromagnetic interference (EMI) protection
Angled design reduces the patch cord bend radius	Dual color coded for either 568A or 568B wiring
Protected labeling feature for clear port labeling	IDC V-shaped contacts designed to flex, not fatigue when terminated for reliable termination
Accommodates flexible cable routing by allowing 90° or 180° cable entry	Category 6A system performance when installed as part of the Molex PowerCat 6A shielded system
Spring-loaded internal shutter protects the jack from dust and contaminants and ejects improperly seated patch cords	Molex DataGate Jacks may accommodate both solid (AWG 22 to AWG 24) and stranded (AWG 26) cables

SPECIFICATIONS

International Standards

ANSI/TIA-568.2-D-2018

ISO 11801:2017

IEC 60603-7

Environmental Standards

RoHS compliant

REACH compliant

Physical

RJ45 Connector

Connector Housing:

Zinc Alloy plated bright Ni/Cu

Operating Life:

Minimum 750 insertion cycles

Contact Material: Copper Alloy**Contact Plating:**

50µ Gold/ 50µ Nickel minimum

Contact Force: 100g minimum**Plug Retention Force:** 6.8kg minimum

IDC Connector

Jack Housing: Thermoplastic, UL94V-0**Operating Life:**

Minimum 20 re-terminations

Contact Material: Copper Alloy**IDC Contact Plating:** Matte Tin**Contact Force:** 100g minimum**Wire Accommodation:**

22-24 AWG solid & 26 AWG stranded

Module Fascia:

Thermoplastic UL94V-0

Electrical/Optical Characteristics

Interface Resistance: 20mΩ**Initial Contact Resistance:** 2.5mΩ**Insulation Resistance:** >100 MΩ

Minimum Backbox Depth Requirements

Part No	Description	Straight Entry (mm)	Side Entry* (mm)
MMS-00017-04	MOD-SNAP III Module, Shielded, C6A, Black	44	37
MMS-00017-02	MOD-SNAP III Module, Shielded, C6A, White	44	37
MLG-00030-02	22.5 X 45mm Module, Shielded, C6A, White	44	31
MLG-00030-04	22.5 X 45mm Module, Shielded, C6A, Black	44	31
MLG-00031-02	45 X 45mm Module, Shielded, C6A, White	44	31
MLG-00031-04	45 X 45mm Module, Shielded, C6A, Black	44	31
MEU-00065-02	Euromod II Module, Shielded, C6A, White	32	27
MEU-00065-04	Euromod II Module, Shielded, C6A, Black	32	27
MGB-00006-02	Contura Module, Shielded, C6A, White	44	37
WNC-00044-02	DIN 1 Port Module, C6A Shielded, C6A, White	44	34
WNC-00045-02	DIN 2 Port Module, C6A Shielded, C6A, White	44	34

*Side Entry not suitable for 4 port/modules (double gang)

www.molex.com/products/copper/cat6A/

PowerCat 6A Shielded Modules >

SPECIFICATIONS (CONTINUED)

Termination Tools

Molex 4 Pair Termination Tool (Part no 31.0011 and C6A Termination Lacing Head part no 31.0015)

Industry standard 110 Termination Tool

Pack quantity

All modules (except the DIN Module): 20

DIN Modules: 10

Dimensions & Shipping Weight

Part No	Description	Grams	Dimensions
MMS-00017-04	MOD-SNAP III Module, Shielded, C6A, Black	34	38.5 x 25mm (6C) Metal plate cut-out thickness: 1.6mm max. Aperture cut-out: 37 x 22mm
MMS-00017-02	MOD-SNAP III Module, Shielded, C6A, White	34	
MLG-00030-02	22.5 X 45mm Module, Shielded, C6A, White	32.6	22.5 x 45mm
MLG-00030-04	22.5 X 45mm Module, Shielded, C6A, Black	32.6	
MLG-00031-02	45 X 45mm Module, Shielded, C6A, White	35.7	45 x 45mm
MLG-00031-04	45 X 45mm Module, Shielded, C6A, Black	35.7	45 x 45mm
MEU-00065-02	Euromod II Module, Shielded, C6A, White	34	25 x 50mm
MEU-00065-04	Euromod II Module, Shielded, C6A, Black	34	
MGB-00006-02	Contura Module, Shielded, C6A, White	34.8	22 x 50mm
WNC-00044-02	DIN 1 Port Module, C6A Shielded, C6A, White	75	50 x 50mm
WNC-00045-02	DIN 2 Port Module, C6A Shielded, C6A, White	75	

ORDERING INFORMATION

Part No	SAP No	Description
MMS-00017-04	183010011	MOD-SNAP III Module, Shielded, C6A, Black
MMS-00017-02	183010040	MOD-SNAP III Module, Shielded, C6A, White
MLG-00030-02	183010006	22.5 X 45mm Module, Shielded, C6A, White
MLG-00030-04	183010013	22.5 X 45mm Module, Shielded, C6A, Black
MLG-00031-02	183010007	45 X 45mm Module, Shielded, C6A, White
MLG-00031-04	183010014	45 X 45mm Module, Shielded, C6A, Black
MEU-00065-02	183010005	Euromod II Module, Shielded, C6A, White
MEU-00065-04	183010012	Euromod II Module, Shielded, C6A, Black
MGB-00006-02	183010004	Contura Module, Shielded, C6A, White
WNC-00044-02	183010017	DIN 1 Port Module, C6A Shielded, C6A, White
WNC-00045-02	183010018	DIN 2 Port Module, C6A Shielded, C6A, White

www.molex.com/products/copper/cat6A/

PowerCat 6A Shielded Modules >

Compatible Wallplates



Euromod Wallplates



Contura Wallplates



MOD-SNAP Wallplates

Part No	SAP No	Description
WGB-00001-02	181770083	Contura Single Gang Wall Plate 86 x 86mm, White
WGB-00002-02	181770084	Contura Double Gang Wall Plate 86 x 145mm, White
MGB-00002-02	181770216	Contura Module Blank, White
17-0101-02	181170013	Euromod Single Gang Wall Plate (no label facility) 86 x 86mm, White
17-0111-02	181390001	Euromod Single Gang Wall Plate(with label facility) 86 x 86mm, White
17-0112-02	181390002	Euromod Double Gang Wall Plate (with label facility) 86 x 145mm, White
17-0412-02	180060060	Euromod Quarter Blank 12.5 x 50mm, White
17-0413-02	181370005	Euromod Half Blank 25x 50mm, White
17-0414-02	180060062	Euromod Full Blank 50 x 50mm, White
17-0231-02	181380001	Euromod Snap-In Adapter Collar (half) 25 x 50mm
17-0232-02	181380001	Euromod Snap-In Adapter Collar (full) 50 x 50mm
42-311-02	181400006	MOD-SNAP 1 Port Single Gang Wall Plate 86 x 86mm, White
42-312-02	181400005	MOD-SNAP 2 Port Single Gang Wall Plate 86 x 86mm, White
42-314-02	181400008	MOD-SNAP 4 Port Single Gang Wall Plate 86 x 86mm, White
MMS-00014-02	181170009	MOD-SNAP Blank, White
16.A0012	180070055	22.5 x 45mm Module Blank, Legrand Compatible, White

www.molex.com/products/copper/cat6A/