

# Customer Information Sheet

DRAWING No.: M52-500XX45

SHEET 2 OF 2

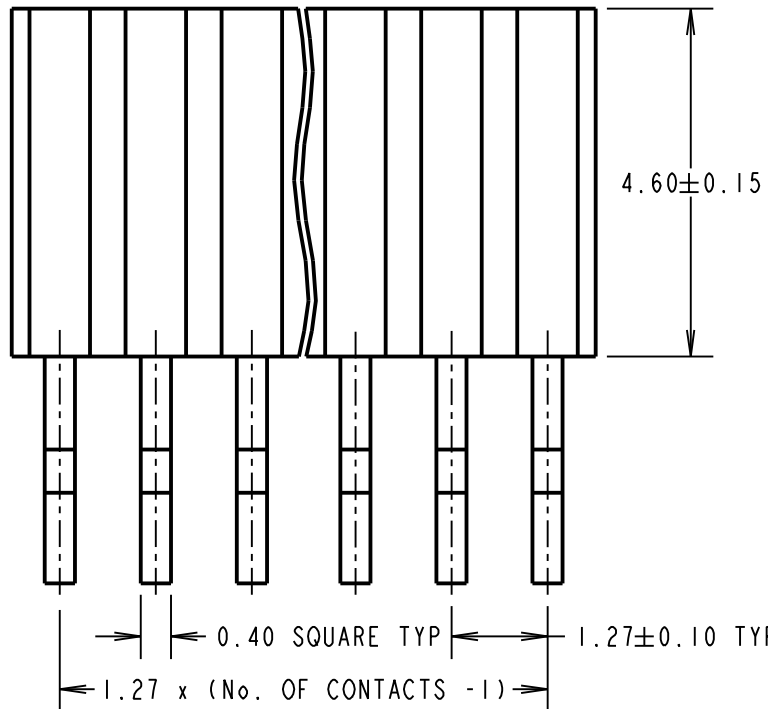
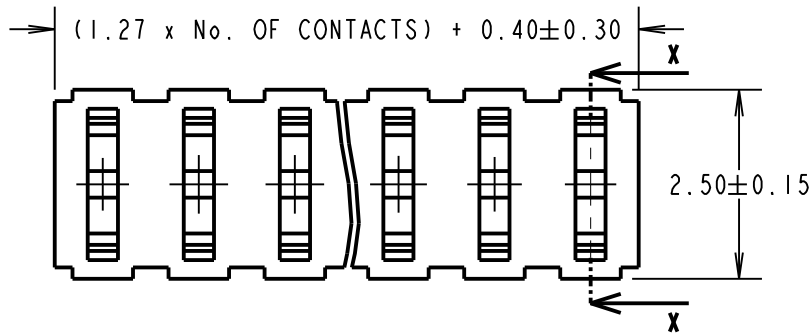
IF IN DOUBT - ASK

©

NOT TO SCALE

THIRD ANGLE PROJECTION

ALL DIMENSIONS IN mm



ORDER CODE:  
**M52-500XX45**

No. OF CONTACTS PER ROW:  
**03 to 10, 12, 14 to 16, 20, 25, 40**

FINISH: \_\_\_\_\_  
GOLD

SPECIFICATIONS:

MATERIAL:  
MOULDING = NYLON 6T UL94V-0, BLACK  
CONTACT = PHOSPHOR BRONZE

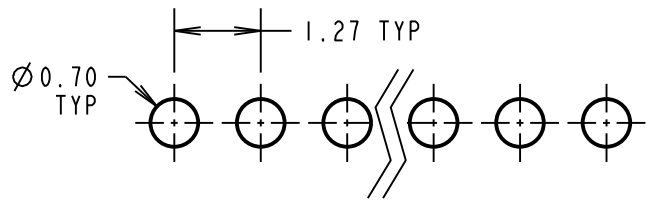
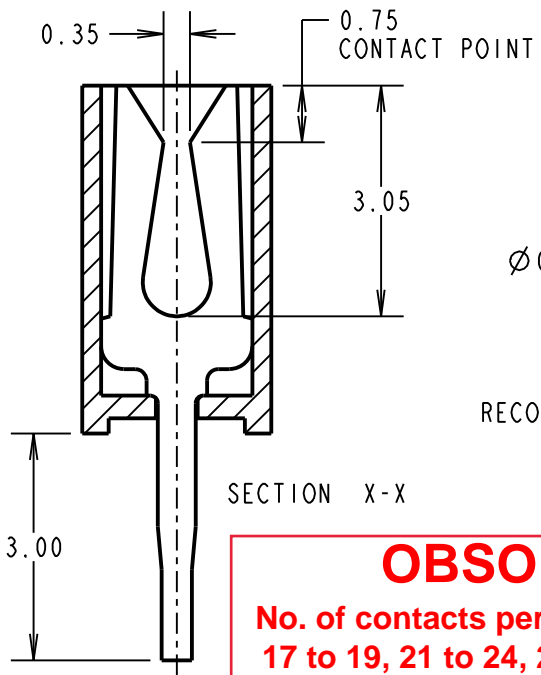
FINISH:  
CONTACT = GOLD OVER NICKEL

ELECTRICAL:  
CURRENT RATING = 1A  
DIELECTRIC WITHSTAND VOLTAGE = 500V AC FOR ONE MINUTE  
CONTACT RESISTANCE = 30mΩ MAX  
INSULATION RESISTANCE = 1000MΩ MIN

MECHANICAL:  
INSERTION FORCE = IN MAX PER PIN  
WITHDRAWAL FORCE = 0.12N MIN PER PIN  
DURABILITY = 300 CYCLES

ENVIRONMENTAL:  
OPERATING TEMPERATURE = -40°C TO +105°C

PACKING:  
02-04 CONTACTS = TRAY, 05-50 CONTACTS = TUBE



RECOMMENDED PCB LAYOUT (PCB TOLERANCE ±0.05)

**OBSOLETE**

No. of contacts per row = 02, 11, 13, 17 to 19, 21 to 24, 26 to 39, 41 to 50  
Last Time Buy = 15th June 2018

NOTES:  
1. ALL TOLERANCES ARE ±0.25 UNLESS OTHERWISE STATED.

SB	11	17.12.13	11905
NAME	ISS.	DATE	C/NOTE
APPROVED:		S.BENNETT	
CHECKED:		S.FLOWER	
DRAWN:		J. ENRIGHT	
CUSTOMER REF.:			
ASSEMBLY DRG:			



www.harwin.com  
technical@harwin.com

THIS DRAWING AND ANY INFORMATION OR DESCRIPTIVE MATTER SET OUT HEREON ARE CONFIDENTIAL AND COPYRIGHT PROPERTY OF THE HARWIN GROUP AND MUST NOT BE DISCLOSED, LOANED, COPIED OR USED FOR MANUFACTURING, TENDERING OR FOR ANY OTHER PURPOSE WITHOUT THEIR WRITTEN PERMISSION.

~~TOLERANCES~~

X = ±1mm  
X.X = ±0.25mm  
X.XX = ±0.10mm  
X.XXX = ±0.01mm

ANGLES = ±5°  
UNLESS STATED

MATERIAL: SEE ABOVE

FINISH: SEE ABOVE

S/AREA: mm<sup>2</sup>

TITLE: 1.27mm PITCH SIL VERTICAL PC TAIL SOCKET ASSY

DRAWING NUMBER: **M52-500XX45**

SHT 2 OF 2