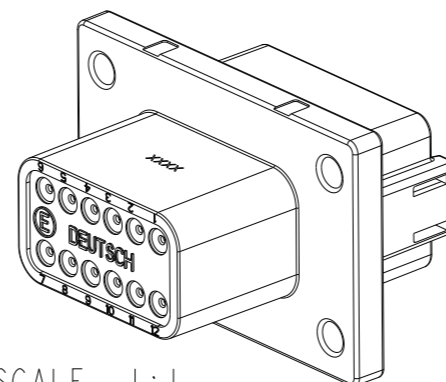
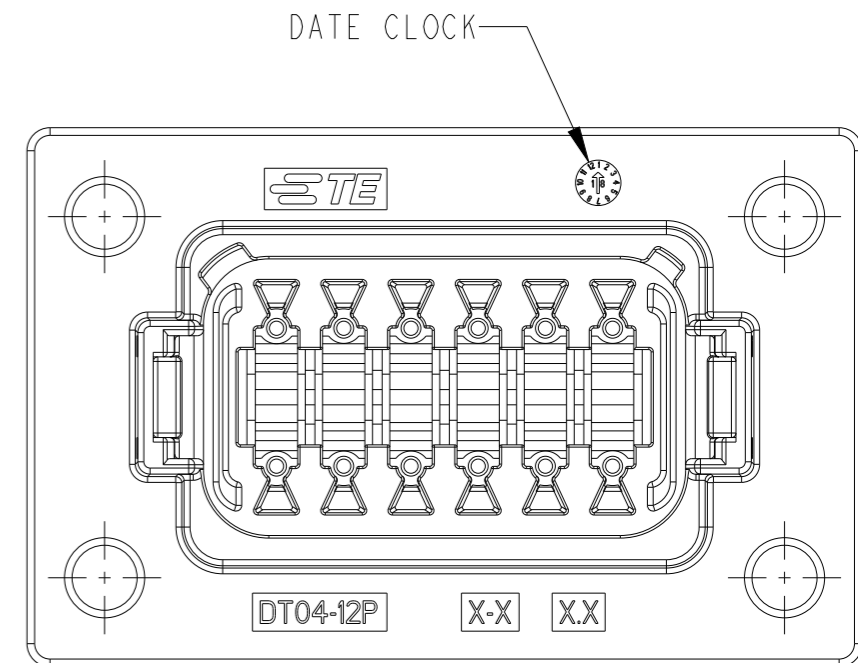
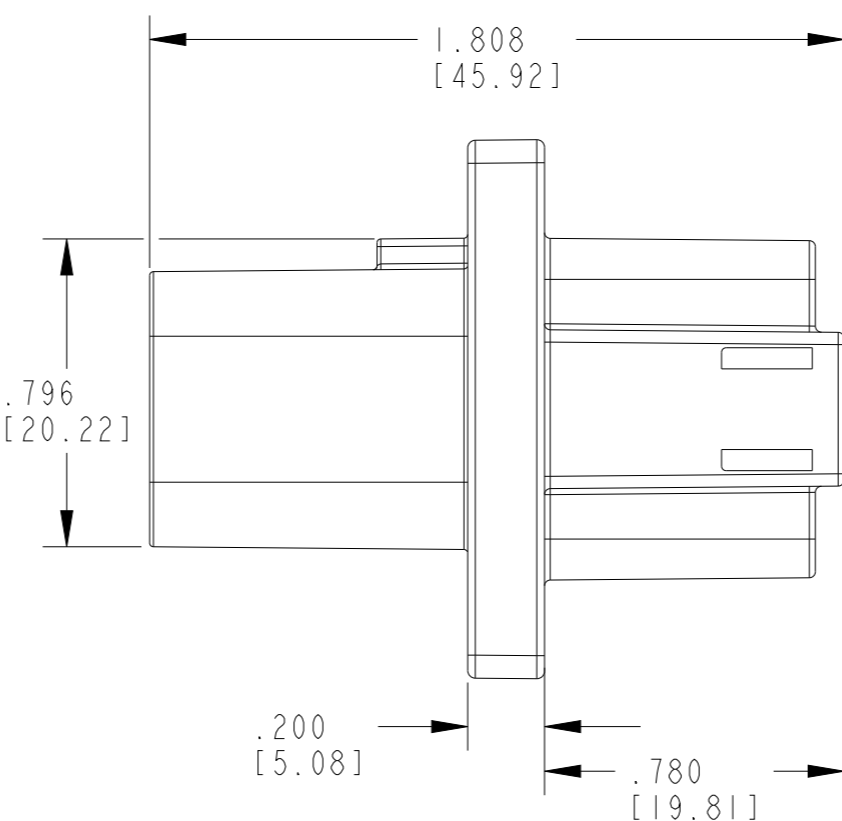
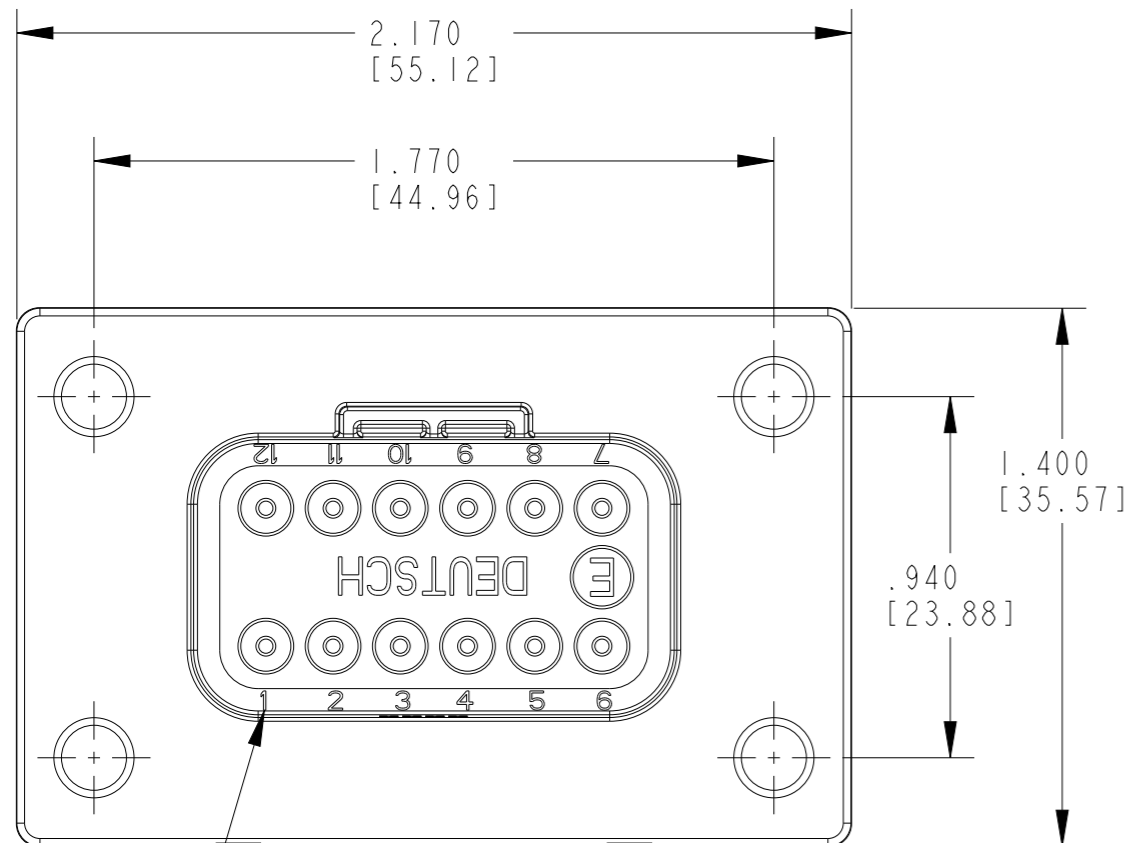


P	LTR	DESCRIPTION	DATE	DWN	APVD
	A	INITIAL RELEASE	10AUG2015	MGM	DM
	B	REVISED PER PCN E-20-009825	29JUN2020	PMV	IG



SCALE 1:1

3-DIMENSIONAL VIEW



CAVITY 1

7 FOR CONTACT AND WIRE PERFORMANCE AND APPLICATION CHARACTERISTICS, SEE ENVELOPE DRAWING 0425-015-0000.

6 RECOMMENDED SCREW: 6-32 [M4].
RECOMMENDED TORQUE: 20-25 IN-LB [2.26-2.82 Nm].

5 DELETED

4 MATERIAL - HOUSING: PA66 GF15 (BLACK)
GROMMET: VMQ (BURNT RED)

3. THIS RECEPTACLE MATES WITH DT06-12SA-XXXX PLUG.
(A KEY; XXXX = ALL MODIFICATIONS)
CONSULT FACTORY FOR MODIFICATIONS.

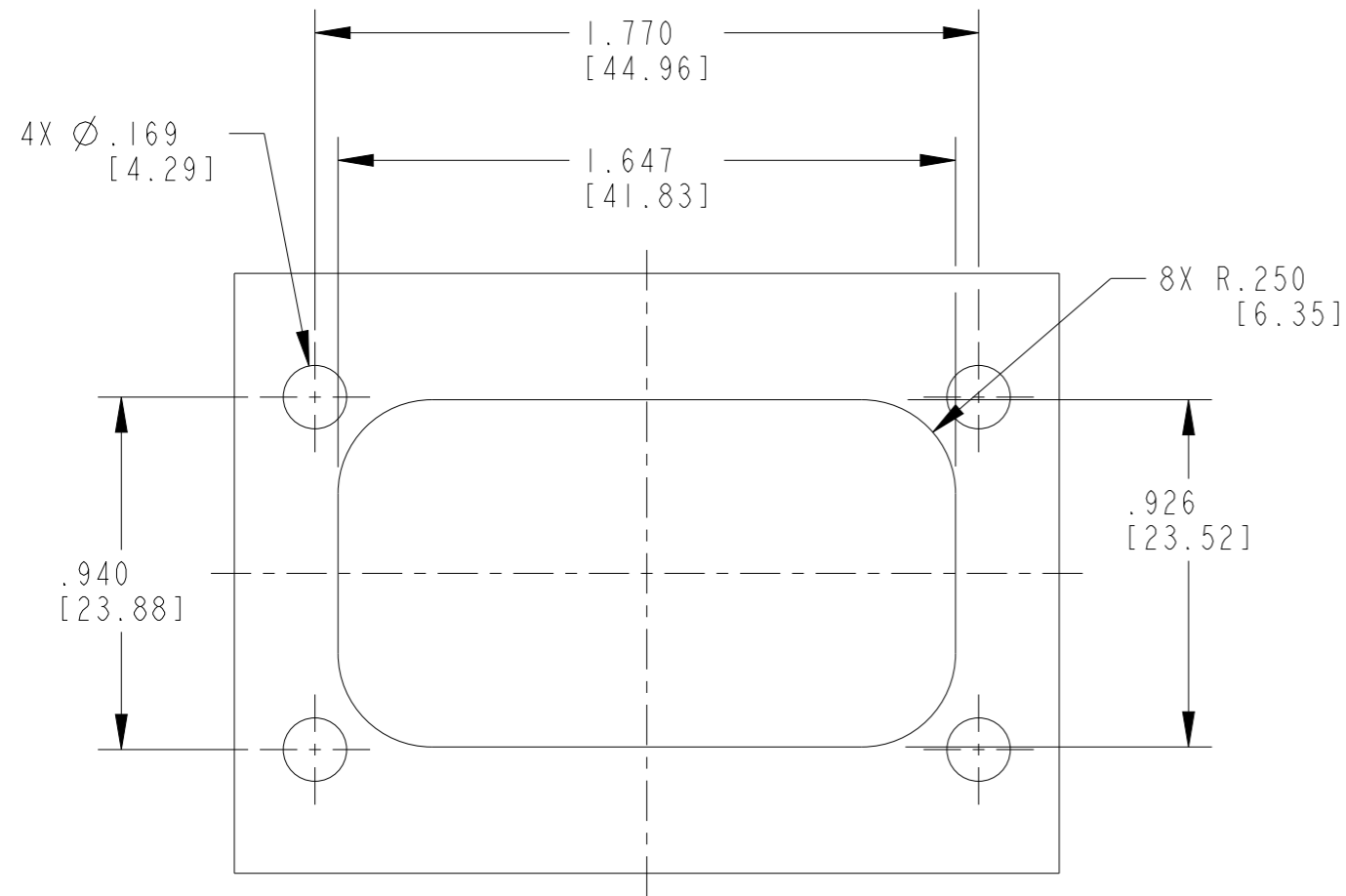
2. SECONDARY WEDGE LOCK SOLD SEPARATELY: W12P-XXXX.
(XXXX = ALL MODIFICATIONS)

NOTES: 1. DELETED

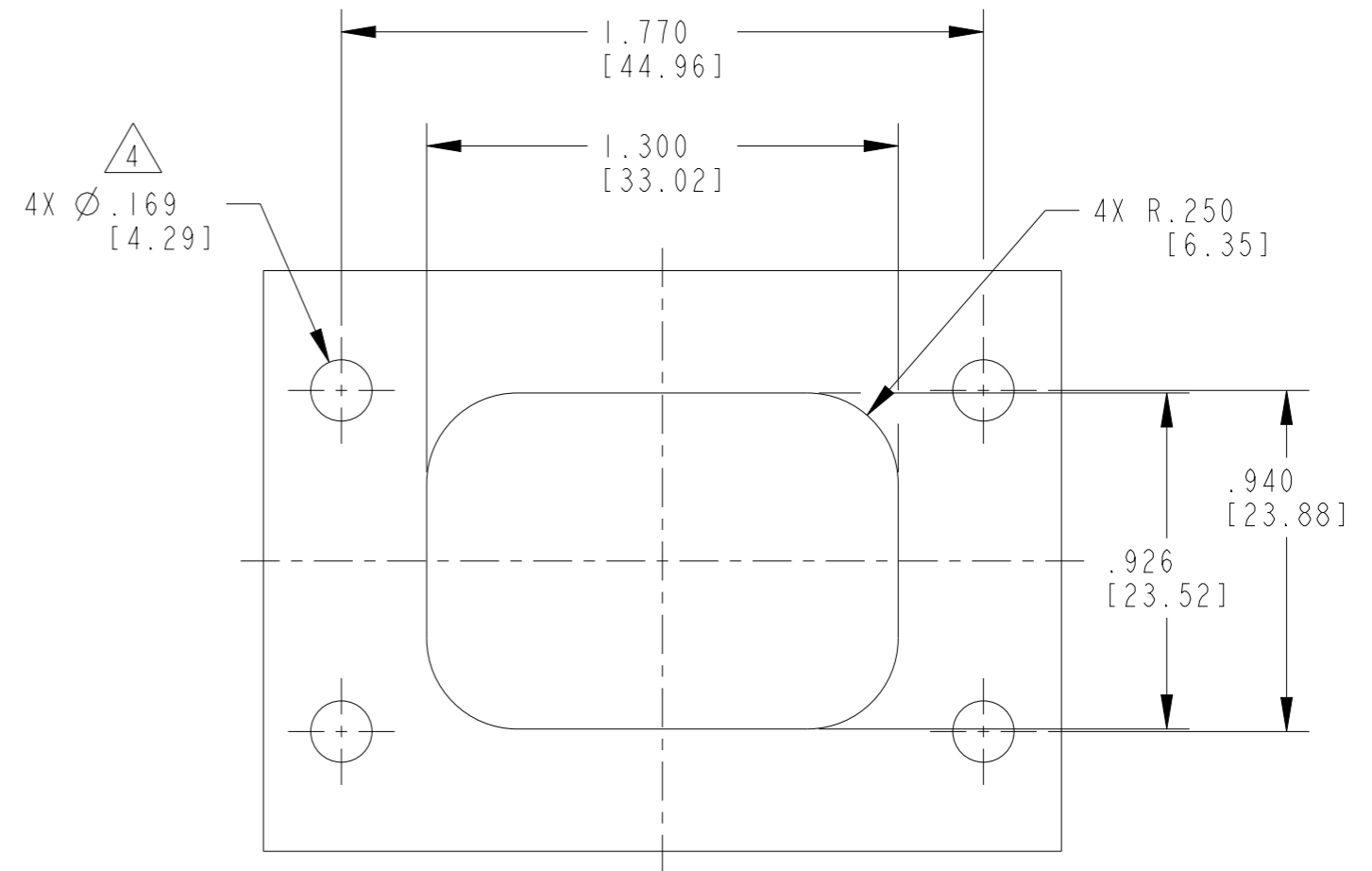
TCPN		ALIAS PART NUMBER	
DT04-12PA-CL06		DT04-12PA-CL06	
CONTACT SIZE	MIN. INSUL. O.D	MAX INSUL. O.D	WIRE RANGE [mm ²] 7
16	.053 [1.35]	.120 [3.05]	14-20 AWG [2.0-0.5]

THIS DRAWING IS A CONTROLLED DOCUMENT.		DWN 10APR2019 MANJUNATH GM		TE Connectivity NAME RECEPTACLE, 12PIN -CL06 MOD DT SERIES	
DIMENSIONS: INCHES [mm]		CHK 10AUG2015 D MEYER			
TOLERANCES UNLESS OTHERWISE SPECIFIED:		APVD 10AUG2015 D MEYER			
0 PLC ±- 1 PLC ±- 2 PLC ±- 3 PLC ±.025 [0.64] 4 PLC ±- ANGLES ±0° 30' 0"		PRODUCT SPEC 108-151009			
MATERIAL 4		FINISH -		APPLICATION SPEC 114-151009	
CUSTOMER DRAWING				WEIGHT -	
SIZE A3		CAGE CODE 00779		DRAWING NO. DT04-12PA-CL06	
SCALE 2:1		SHEET 1 OF 2		RESTRICTED TO REV B	

P	LTR	DESCRIPTION	DATE	DWN	APVD
-		SEE SHEET 1	-	-	-

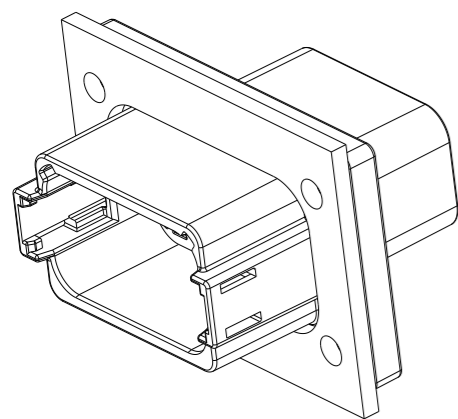


**RECOMENDED
PANEL CUTOUT FRONT**

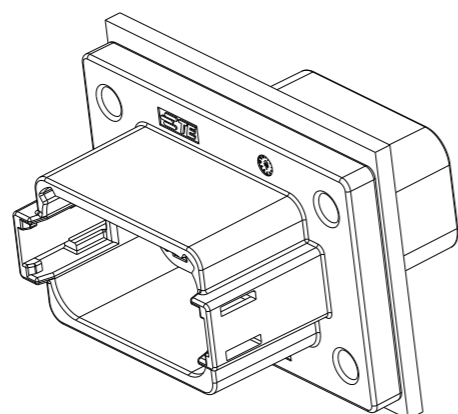


**RECOMENDED
PANEL CUTOUT REAR**

FOR REFERENCE ONLY



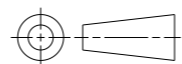
FRONT MOUNT



REAR MOUNT

THIS DRAWING IS A CONTROLLED DOCUMENT.

DIMENSIONS:
INCHES [mm]



TOLERANCES UNLESS
OTHERWISE SPECIFIED:

0 PLC	±-
1 PLC	±-
2 PLC	±-
3 PLC	±.025 [0.64]
4 PLC	±-
ANGLES	±0° 30' 0"

MATERIAL

FINISH

-

DWN 10APR2019
MANJUNATH GM

CHK 10AUG2015
D MEYER

APVD 10AUG2015
D MEYER

PRODUCT SPEC
108-151009

APPLICATION SPEC
114-151009

WEIGHT
-

CUSTOMER DRAWING



NAME
RECEPTACLE, 12PIN -CL06 MOD
DT SERIES

SIZE CAGE CODE DRAWING NO RESTRICTED TO

A3 00779 C=DT04-12PA-CL06

SCALE 5:1 SHEET 2 OF 2 REV B

Mouser Electronics

Authorized Distributor

Click to View Pricing, Inventory, Delivery & Lifecycle Information:

[TE Connectivity:](#)

[DT04-12PA-CL06](#)