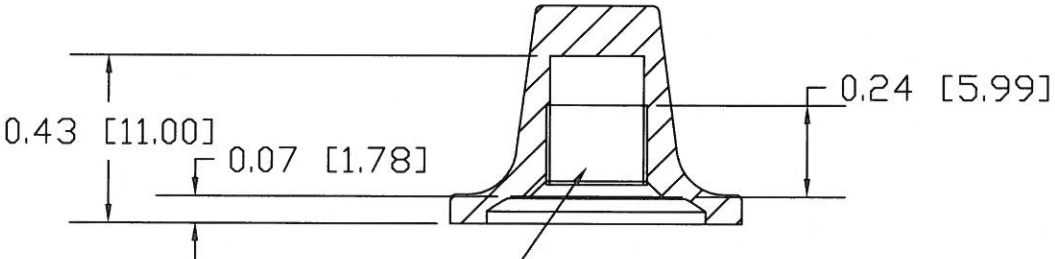
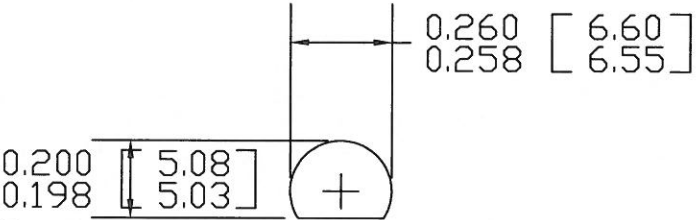
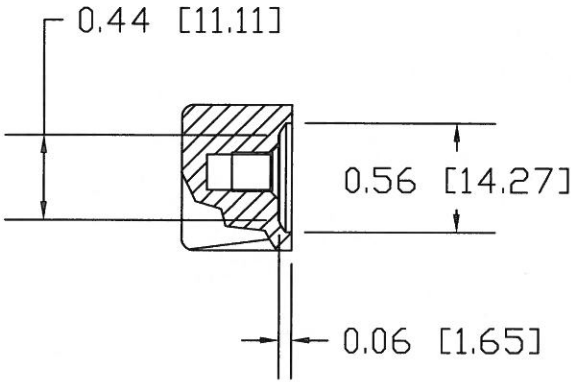
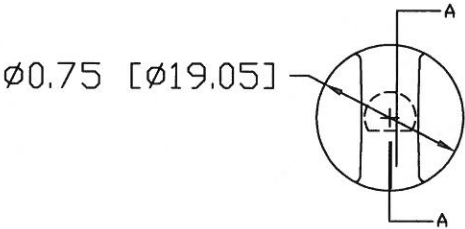


P/N 1510BH	
BASE PART 1510-07	
SPRING	I2083

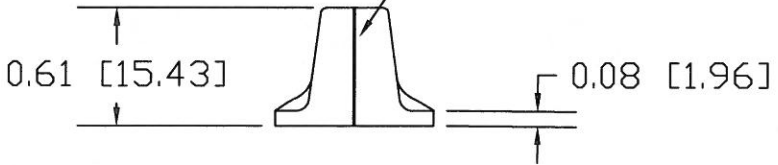
SCALE 2.0



.236 DIA. SHAFT WITH .177 DLAT SPRING I2083(LECTRA SPRING # 6601)



PAD PRINTED INDICATOR LINE IN-WHITE



SCALE 2 : 1  
MOLDED HOLE SIZE

NAME: JAM
SCALE 1.0   11/10/10

THIS DRAWING IS THE PROPERTY OF DAVIES MOLDING COMPANY, IS SUBMITTED SOLELY AS A DESIGN OR ENGINEERING PROJECT, WE ACCEPT NO RESPONSIBILITY WHATSOEVER FOR THE PRACTICAL APPLICATION.

TOLERANCES: UNLESS OTHERWISE SPECIFIED	DO NOT SCALE DRAWING
DECIMALS: X.XXX ± .005 X.XX ± .015	MM: X.XX ± 0.15MM X.X ± 0.4MM
FRACTIONS ± 1/64	ANG. ± 1°

**DAVIES L.L.C.**  
DESIGNERS & MANUFACTURERS  
OF KNOBS, HANDLES & CASES  
1-800-554-9208

CHANGES

- WAS SK1510-31 JAM 11/10/10

A