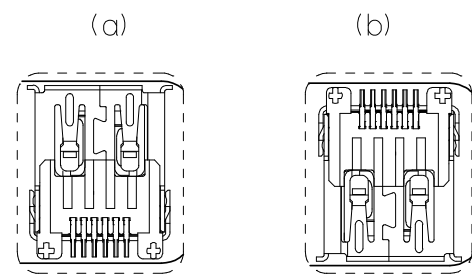
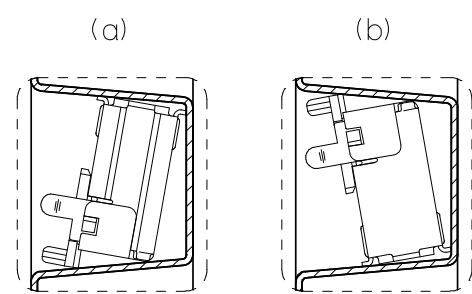


SECT. Y-Y



△ 4 DETAIL A  
(SCALE 2:1)



△ 4 DETAIL B  
(SCALE 2:1)

注記

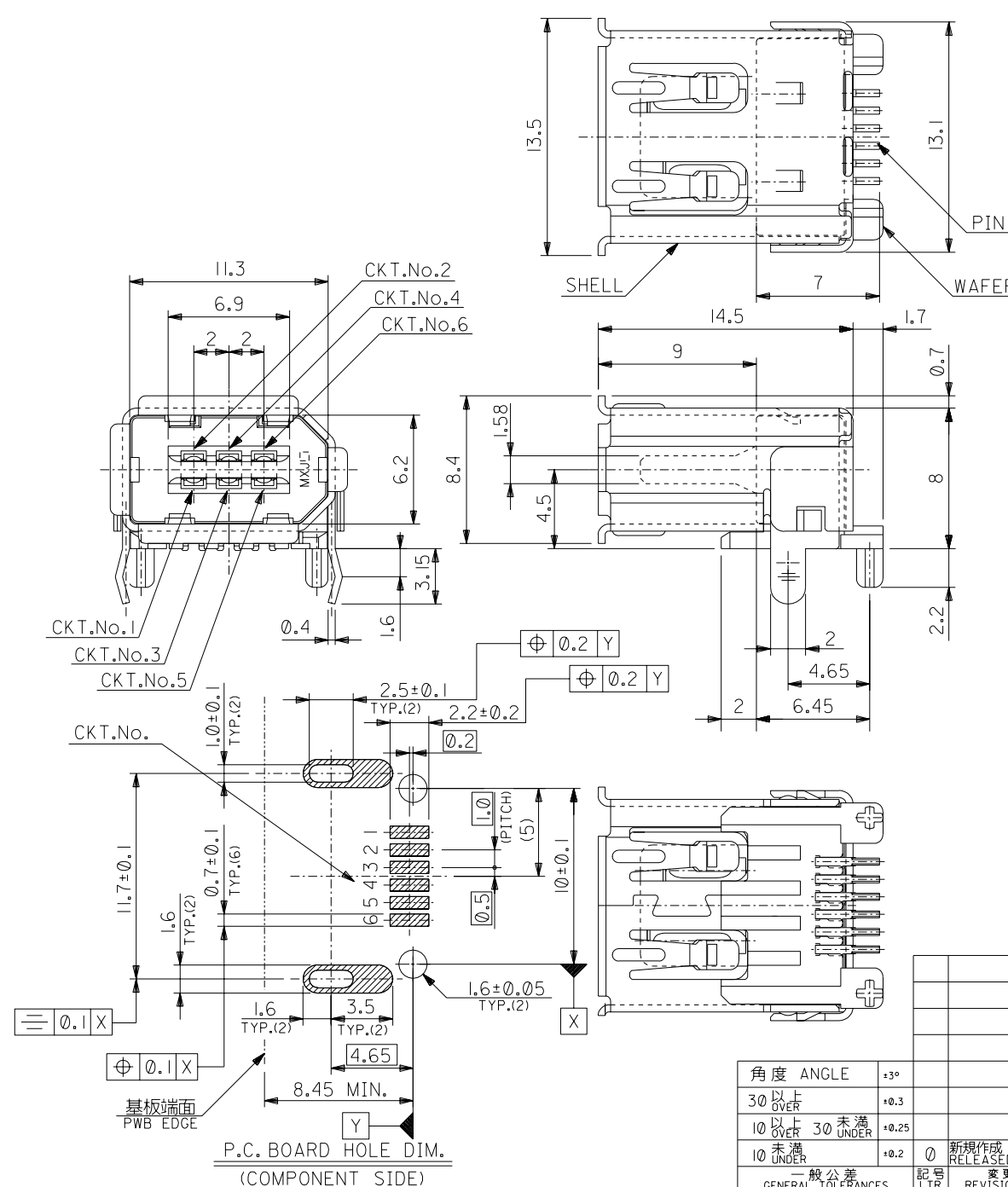
1. 一般公差: ±0.5  
GENERAL TOLERANCES: ±0.5
  2. 各部の反りは2.0MAX.  
WARP 2.0MAX.
  3. 梱包数: 150個  
PACKAGING QUANTITY: 150PCS.
- △ 4 トレイの中の製品の向きは(a)又は(b)とし、かつ同一トレイ中の製品の向きはどちらか一方で統一  
PRODUCT DIRECTION SHOULD BE (a) OR (b). ALL PRODUCTS MUST FACED THE SAME DIRECTION IN THE TRAY.

53462-0629  
適用製品番号  
APPLICABLE PART No.

RELEASED EC NO: J2008-3804 DRWN: YOKUZONO 2008/05/01 CH'KD: HARUYAMA 2008/05/01 APPR: NUKITA 2008/05/01	GENERAL TOLERANCES (UNLESS SPECIFIED)		DIMENSION STYLE MM ONLY		SCALE 1:2	DESIGN UNITS METRIC	THIRD ANGLE PROJECTION	
	10 UNDER	± ---	DRAWN BY DATE Y. TOKUZONO 2008/4/28 CHECKED BY DATE T. HARUYAMA 2008/4/28		TITLE TRAY FOR 53462 (2.0 I/O FLAT SMT WAFER ASS'Y)			
	10 OVER 30 UNDER	± ---						
	30 OVER	± ---	APPROVED BY DATE N. UKITA 2008/4/28		MOLEX INCORPORATED DOCUMENT NO. SD-53462-001 SHEET NO. 1 OF 1			
ANGULAR ± --- °		MATERIAL NO. 098910030						
0	DRAFT WHERE APPLICABLE MUST REMAIN WITHIN DIMENSIONS		SIZE A3		THIS DRAWING CONTAINS INFORMATION THAT IS PROPRIETARY TO MOLEX INCORPORATED AND SHOULD NOT BE USED WITHOUT WRITTEN PERMISSION			

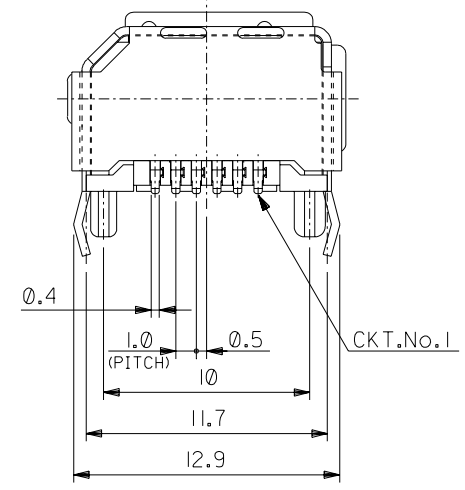
DWG. NO.  
SD-53462-010

ALL DIMENSIONS IN METRIC DO NOT SCALE DRAWING



部品名 PARTS NAME	材質 MATERIAL	注記 NOTES
ウエハー WAFER	ガラス入り46ナイロン NYLON46 G.F.	G.F.30%, UL94V-0, 色:黒 G.F.30%, UL94V-0, COLOR:BLACK
ピン PIN	黄銅 t0.25 BRASS t0.25	接点部:金メッキ0.76µmMIN. CONTACT AREA:GOLD 0.76 MICROMETER MIN. 半田付け部:錫メッキ1.0µmMIN. SOLDERTAIL AREA:TIN 1.0 MICROMETER MIN. 下地メッキ:ニッケルメッキ2.0µmMIN. UNDER-PLATING:NICKEL 2.0 MICROMETER MIN.
シェル SHELL	りん青銅 t0.4 PHOSPHOR BRONZE t0.4	錫メッキ:1.0µmMIN. TIN:1.0 MICROMETER MIN. 下地メッキ:ニッケルメッキ1.27µmMIN. UNDER-PLATING:NICKEL 1.27 MICROMETER MIN.

本製品は53462-\* \* 21の鉛フリー品である。  
THIS PRODUCT IS LEAD FREE OF 53462-\* \* 21.



角度 ANGLE	公差
30°以上 OVER	+0.3
10°以上 30°未満 UNDER	+0.25
10°未満 UNDER	+0.2

記号 LTR	変更内容 REVISION RECORD	DR. CHK.	日付 DATE
0	新規作成 (J2004-4313) RELEASED	Y.W. M.S.	'04/05/19

材料 MATERIAL	表参照 SEE TABLE
仕上げ FINISH	表参照 SEE TABLE
適用電線範囲 WIRE RANGE	—
被覆外径 INS. RANGE	—
DRAWN BY '04/05/19	CHK'D BY '04/05/19
Y.WADA	M.SASAO
APP'D BY '04/05/19	尺度 SCALE
M.SASAO	4:1

53462-0629	6
MATERIAL NO.	CIRCUIT
MODEL NO.	53462-* * 29
MOLEX-JAPAN CO.,LTD. 日本モレックス株式会社	
REVISE ONLY ON CAD SYSTEM	
TITLE 名称 2.0 I/O CONN. SOCKET RIGHT-ANGLE FLAT WITH KINK -LEAD FREE-	
DWG. NO.	REV
SD-53462-010	0

THIS DRAWING CONTAINS INFORMATION THAT IS PROPRIETARY TO MOLEX(JAPAN) AND SHOULD NOT BE USED WITHOUT WRITTEN PERMISSION  
本図面は日本モレックス(株)の所有する情報を含むもので 当社の許可なく複製を禁止する。 EN-01C(032)MXJ-32