



INDUSTRIAL
RELAYS
HR602C

Product designation

Product type designation

Contact characteristics

Contact configuration			2 C/O
Rated insulation voltage U_i IEC/EN	V		500
Rated impulse withstand voltage U_{imp}	kV		4
IEC Conventional free air thermal current I_{th}	A		7
Rated current (I_n)	A		7
Relay control voltage	V		24VDC
Max contrrollable power in		AC-1	W 7
Rated operating power AC-1			VA 1750
Rated operating power AC-15		230 VAC	VA 150
Single-phase motor control		230VAC	kW 0.37
Rated operating current DC-1		30V	A 12
		110V	A 0.3
		220V	A 0.1
Minimum switching load		V / mA	5 / 100
Contact impedance		m Ω	100
Contact material			Ag/Ni

Operating times

Closing		ms	<25
Opening		ms	<25

Operations

Mechanical life		cycles	20000000
Electrical life AC1		cycles	100000

Coil characteristics

Average coil consumption AC at 20°C		VA	1.7
Average coil consumption DC at 20°C		W	1.1

Operating range

Closing	% U_n	75...110
Opening	% U_n	10...30

Maximum cycle frequency		cycles/h	3600
-------------------------	--	----------	------

Mechanical features

Max socket terminal tightening torque		Nm	0.6
Socket screw tightening tool (cross / flat blade)			PH1 / 4.5mm

Conductor section

AWG/Kcmil

min	20
max	14

IEC

min	mm ²	0.5
max	mm ²	2.5

Operating position

normal	Any
--------	-----

Fixing

On 35mm DIN rail and with screw

Ambient conditions

Temperature

Operating temperature

min	°C	-40
max	°C	+70

Storage temperature

min	°C	-40
max	°C	+80

Other features

Indication

Yes

Mechanical contact position indicator

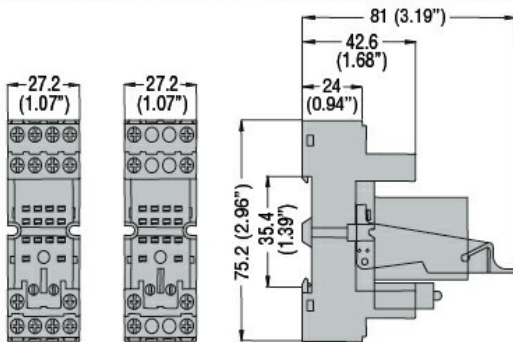
Yes

Mechanical test actuator

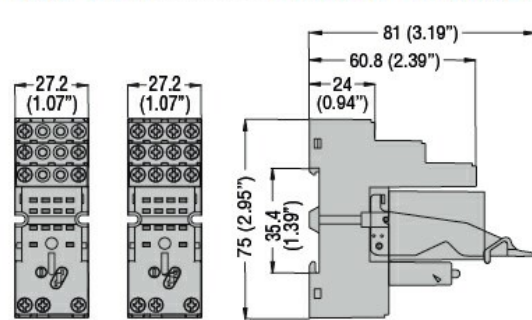
Yes

Dimensions

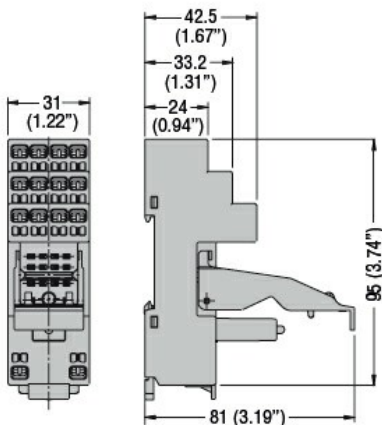
HR60 2C... with socket HR6XS21 - HR6XS22



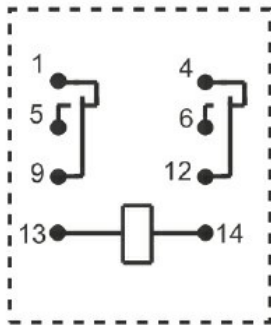
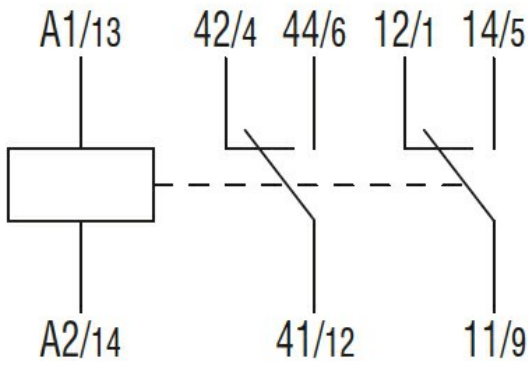
HR60 4C... with socket HR6XS41 - HR6XS42



HR60 2C... - HR60 4C... with socket HR6XS21S - HR6XS41S



Wiring diagrams



Certifications and compliance

Compliance

IEC/EN 61810

Certificates

CSA

cURus

EAC

VDE

ETIM classification

ETIM 8.0

EC001437 -
Switching relay