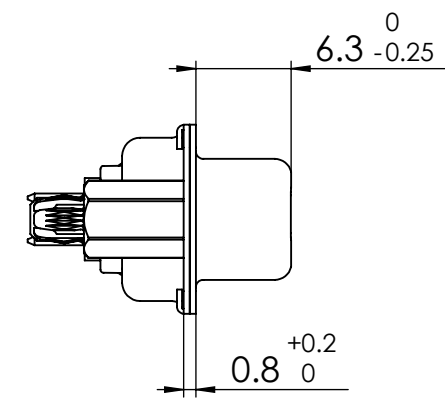
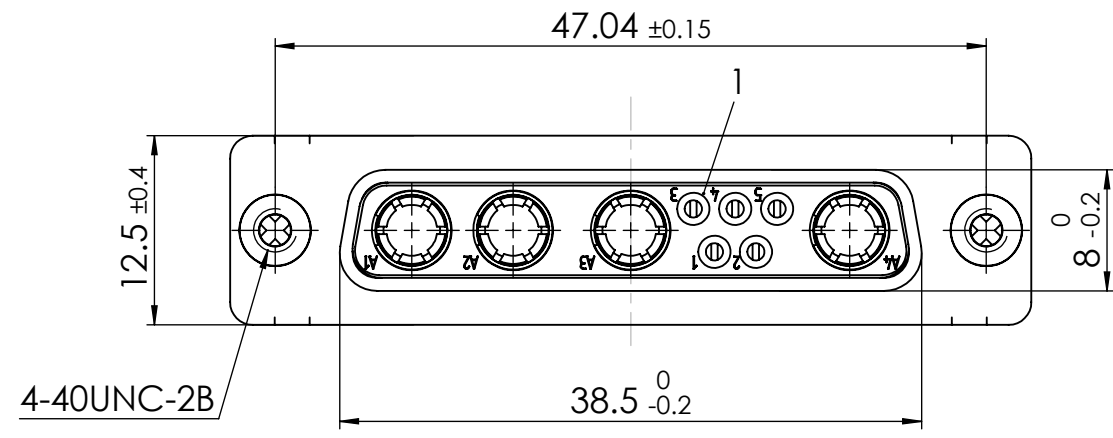
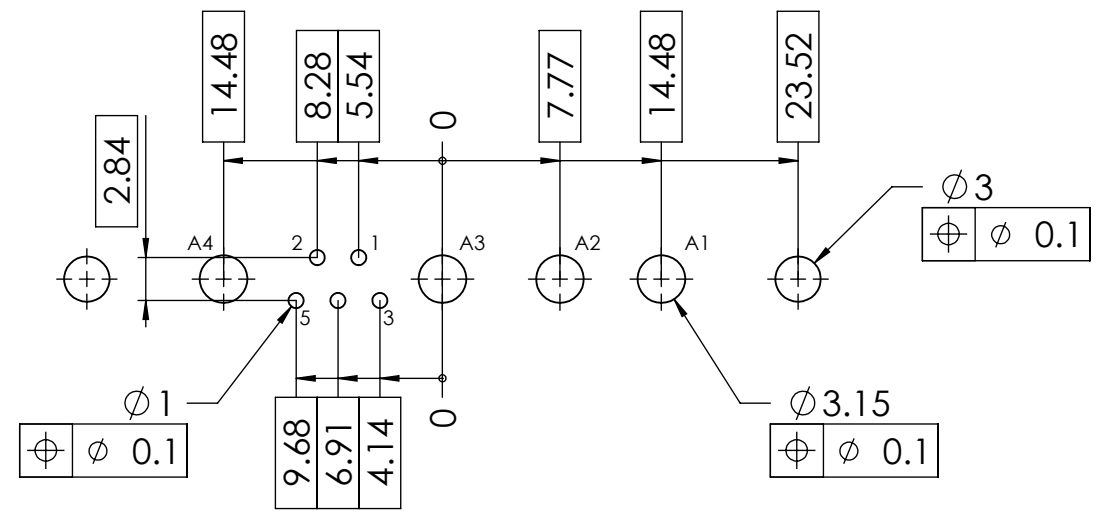
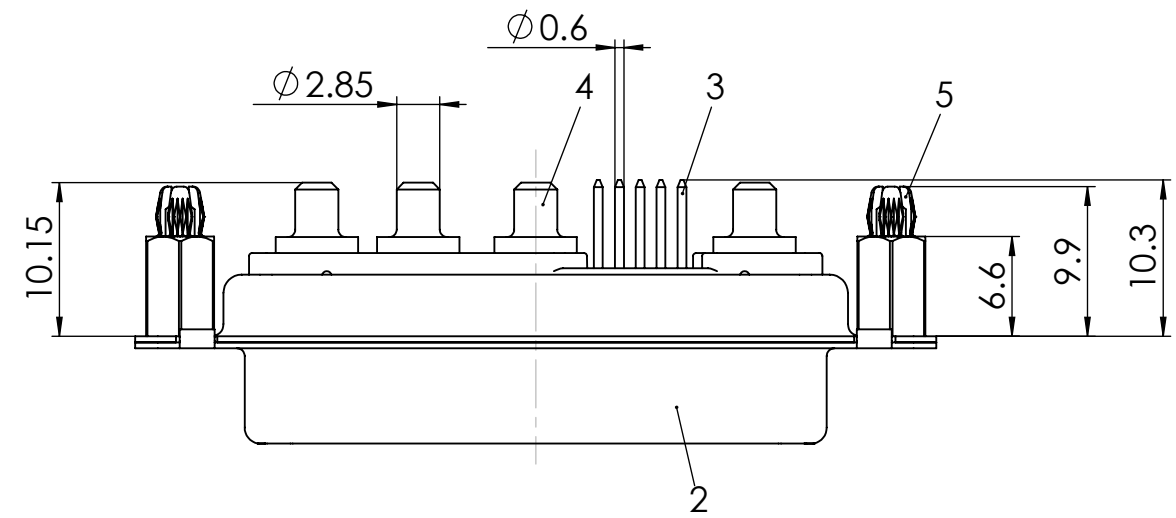


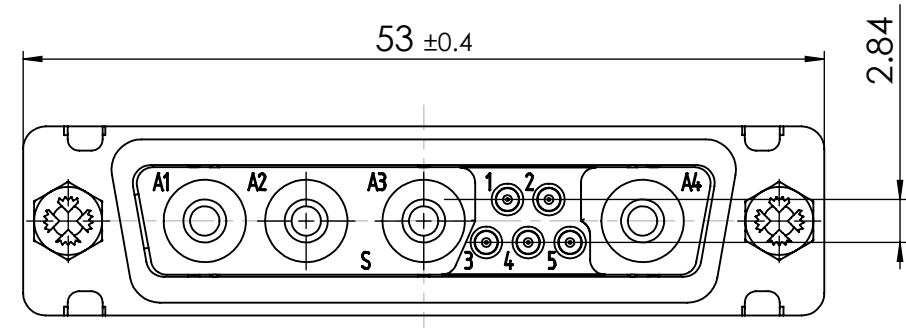
COMMENT:  
ALL RIGHTS ARE RESERVED BY US FOR THIS DRAWING. WITHOUT OUR PRIOR CONSENT,  
IT MAY NEITHER BE DUPLICATED NOR MADE AVAILABLE TO A THIRD PARTY.  
AND IT ALSO MAY NOT BE IMPROPERLY USED BY THE RECEIVER, OR A THIRD PARTY.



PCB hole pattern, mounting side



RoHS compliant  
by exemption



5	2	Snap-in bolt	PCB 1.6mm / Brass	tin plated
4	4	High power contact	FMP010S104	20A
3	5	Signal contact	S1 / Brass	0.8µm Au
2	1	Shell	Steel	tin plated
1	1	Insulator	PBT (-55°C - +130°C)	green
No.	St.	Part	Type Description/Material	Surface plating/Colour/Class

SYMBOLS					THIS DRAWING CONTAINS INFORMATION THAT IS PROPRIETARY TO MOLEX ELECTRONIC TECHNOLOGIES, LLC AND SHOULD NOT BE USED WITHOUT WRITTEN PERMISSION				
DIMENSION UNITS		SCALE		MEASUREMENTS WITHOUT TOLERANCE ACC. TO ISO 2768-m					
mm		2:1							
CURRENT REVISION									
DRWN: DRAWN BY		MTeubel		30-07-2020					
APPR: APPR BY		msteinbrueck		31-07-2020					
INITIAL REVISION					PRODUCT CUSTOMER DRAWING				
DRWN: DRAWN BY		MTeubel		30-07-2020		MATERIAL NUMBER		REVISION	
APPR: APPR BY		msteinbrueck		31-07-2020		1731071936		1	
REV.		CH.-NO.				DOCUMENT NUMBER		CUSTOMER	
REPLACEMENT FOR:		THIRD ANGLE PROJECTION		DRAWING		FM9W4S1-1410		GENERAL MARKET	
		A3-SIZE						SHEET NUMBER 1 OF 1	