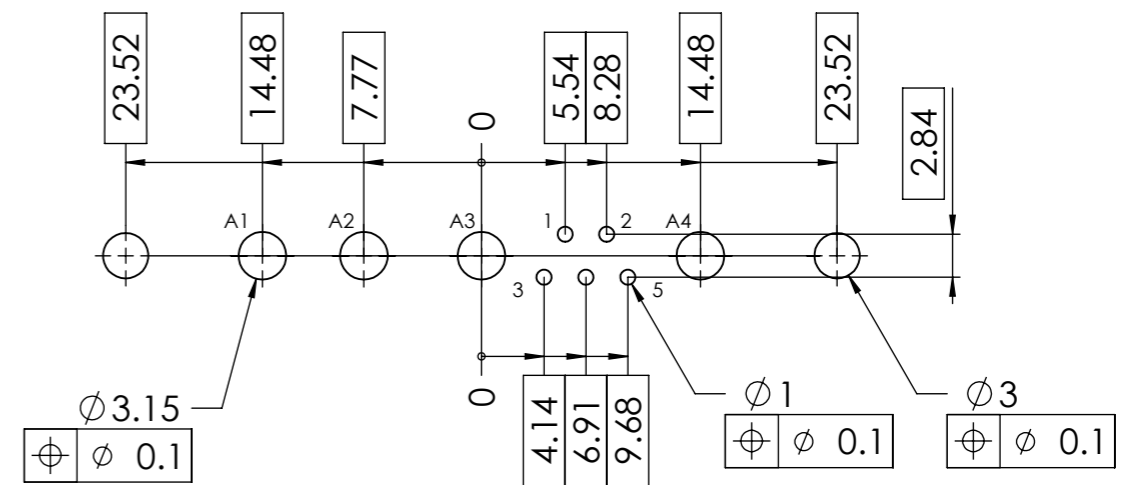
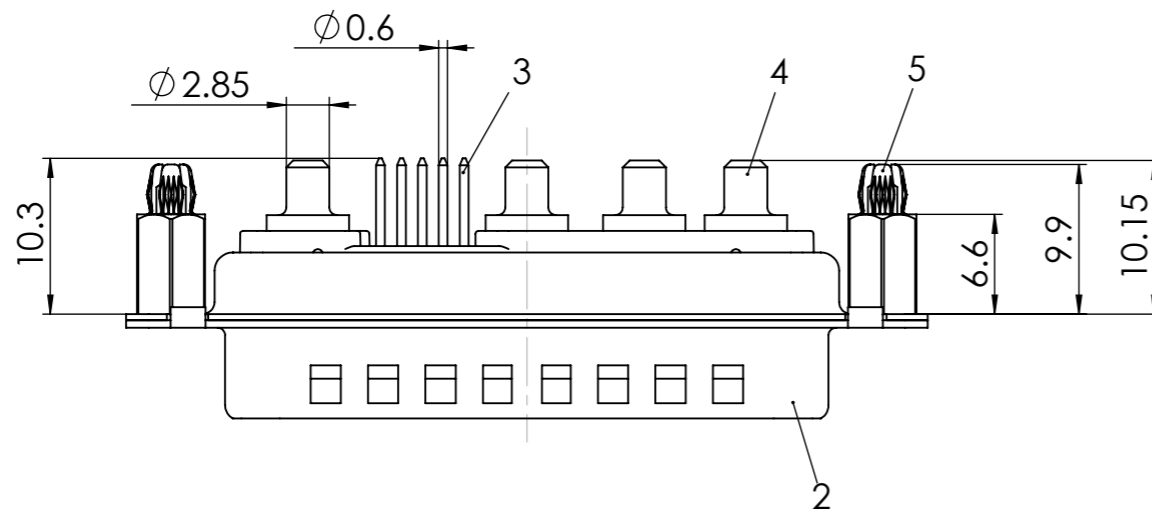
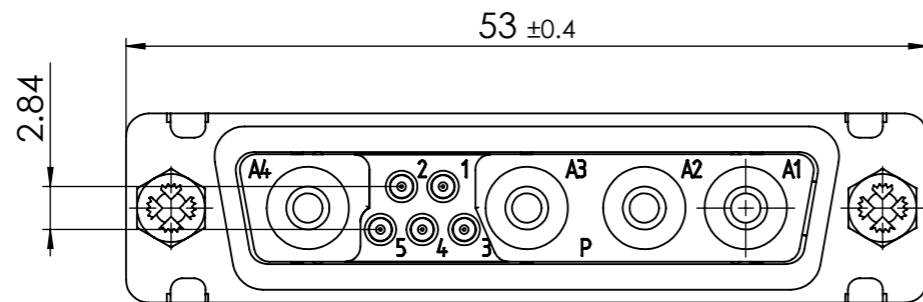


PCB hole pattern, mounting side



RoHS compliant
by exemption



5	2	Snap-in bolt	PCB 1.6mm / Brass	tin plated
4	4	High power contact	FMP010P104	20A
3	5	Signal contact	P1 / Brass	0.8µm Au
2	1	Shell	Steel	tin plated
1	1	Insulator	PBT (-55°C - +130°C)	green
No.	St.	Part	Type Description/Material	Surface plating/Colour/Class

SYMBOLS		THIS DRAWING CONTAINS INFORMATION THAT IS PROPRIETARY TO MOLEX ELECTRONIC TECHNOLOGIES, LLC AND SHOULD NOT BE USED WITHOUT WRITTEN PERMISSION			
	= 0	DIMENSION UNITS	SCALE	MEASUREMENTS WITHOUT TOLERANCE ACC. TO	molex
	= 0	mm	2:1	ISO 2768-m	
	= 0			CURRENT REVISION	FCT D-Sub Mixed-Layout Connector
	= 0			DRWN: DRAWN BY fvetter 28-07-2020 APPR: APPR BY MTeubel 31-07-2020	
	= 0			INITIAL REVISION	PRODUCT CUSTOMER DRAWING
	= 0	1		DRWN: DRAWN BY fvetter 28-07-2020 APPR: APPR BY MTeubel 31-07-2020	MATERIAL NUMBER
	= 0	REV.	CH.-NO.		1731071939
	= 0			REPLACEMENT FOR:	DOCUMENT NUMBER
	= 0			THIRD ANGLE PROJECTION	FM9W4P1-1410
	= 0			DRAWING	CUSTOMER
				A3-SIZE	GENERAL MARKET
					REVISION
					1
					SHEET NUMBER
					1 OF 1

COMMENT: ALL RIGHTS ARE RESERVED BY US FOR THIS DRAWING. WITHOUT OUR PRIOR CONSENT, IT MAY NEITHER BE DUPLICATED NOR MADE AVAILABLE TO A THIRD PARTY. AND IT ALSO MAY NOT BE IMPROPERLY USED BY THE RECEIVER, OR A THIRD PARTY.