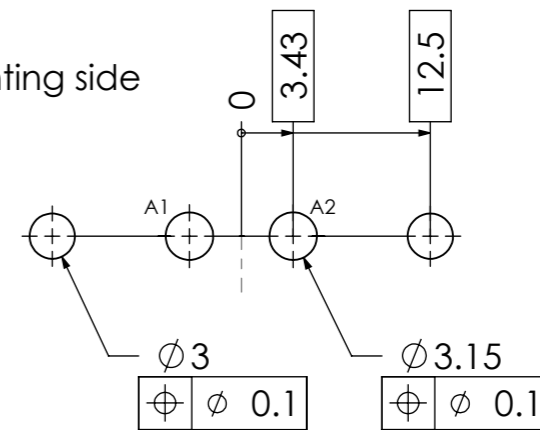
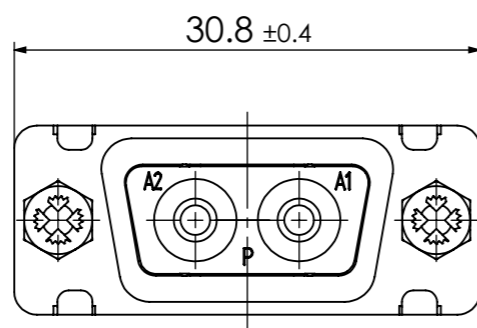


PCB hole pattern, mounting side



RoHS compliant  
by exemption



5	2	Snap-in bolt	PCB 1.6mm / Brass	tin plated
4	1	High power contact	FMP010S104	20A
3	1	High power contact	FMP010P104	20A
2	1	Shell	Steel	tin plated
1	1	Insulator	PBT (-55°C - +130°C)	black
No.	St.	Part	Type Description/Material	Surface plating/Colour/Class

SYMBOLS		THIS DRAWING CONTAINS INFORMATION THAT IS PROPRIETARY TO MOLEX ELECTRONIC TECHNOLOGIES, LLC AND SHOULD NOT BE USED WITHOUT WRITTEN PERMISSION		
	= 0	DIMENSION UNITS	SCALE	MEASUREMENTS WITHOUT TOLERANCE ACC. TO
	= 0	mm	2:1	ISO 2768-m
	= 0			CURRENT REVISION
	= 0			DRWN: DRAWN BY MTeubel 27-08-2019
	= 0			APPR: APPR BY MTeubel 27-08-2019
	= 0	2	24130	INITIAL REVISION
	= 0	1		DRWN: DRAWN BY MJobst 26-10-2006
	= 0	REV.	CH.-NO.	APPR: APPR BY ADenzinger 26-10-2006
	= 0	REPLACEMENT FOR:	THIRD ANGLE PROJECTION	DRAWING
	= 0			A3-SIZE
			<b>FCT-D-Sub Mixed-Layout Connector</b>	
			<b>PRODUCT CUSTOMER DRAWING</b>	
			MATERIAL NUMBER <b>1731071937</b>	
			REVISION <b>2</b>	
			DOCUMENT NUMBER <b>F2W2PC-1410</b>	
			CUSTOMER GENERAL MARKET	
			SHEET NUMBER 1 OF 1	

COMMENT:  
ALL RIGHTS ARE RESERVED BY US FOR THIS DRAWING. WITHOUT OUR PRIOR CONSENT, IT MAY NEITHER BE DUPLICATED NOR MADE AVAILABLE TO A THIRD PARTY. AND IT ALSO MAY NOT BE IMPROPERLY USED BY THE RECEIVER, OR A THIRD PARTY.