

PIEZO RINGER

Shape

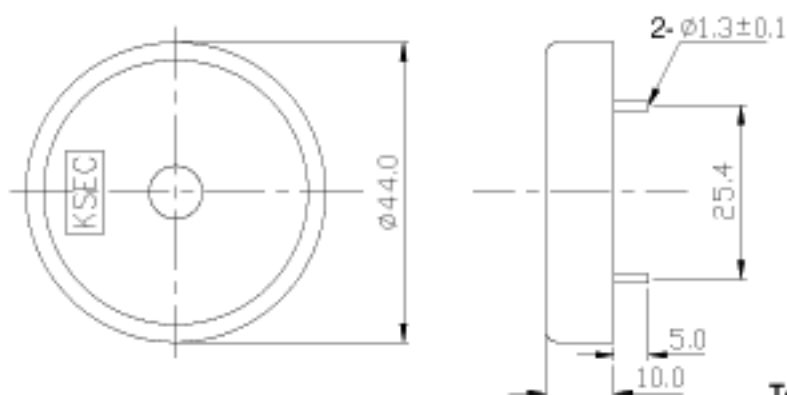
KPE-146



RoHS Compliant Available (eg.KPEG146)

Model Number	KPS-146
Rated Voltage (Vp-p)	Max. 50
Current Consumption (mA)	Max. 8@10Vp-p, Square Wave, 750Hz
Sound Pressure Level (dB)	Min. 85dB@10cm@10Vp-p, Square Wave, 750Hz
Electrostatic Capacity (pF)	70,000±30%@120Hz@1V
Operating Temperature (°C)	-30 ~ +85
Storage Temperature (°C)	-40 ~ +95
Weight (Gram)	8.3
Material	ABS UL-94 1/16" HB High Heat (Black)

Dimension



Tol : ±0.5 Unit : mm

Characteristic

