

M12 male duo 0° A-cod. screw terminal5-pol., max. 0,75mm², 2,1 - 3mm, 4 - 5mm

Male straight

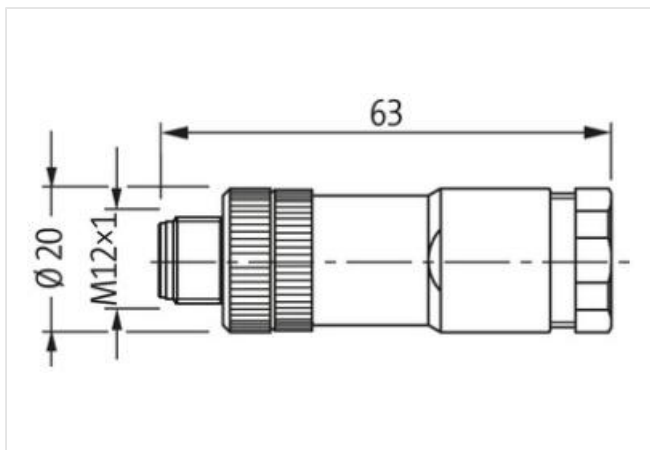
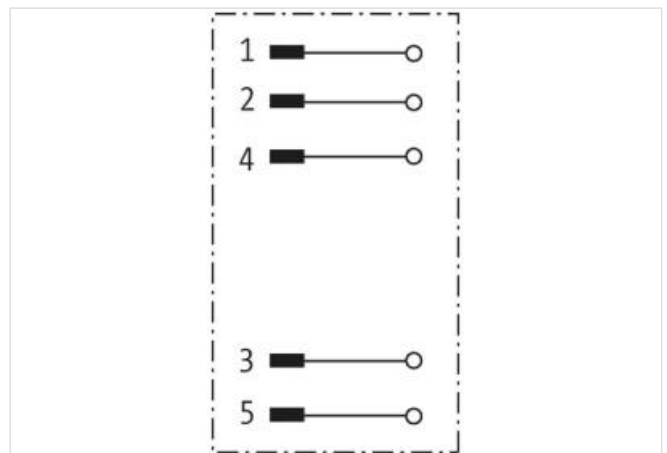
Y-connector M12, 5-pole

Screw terminals

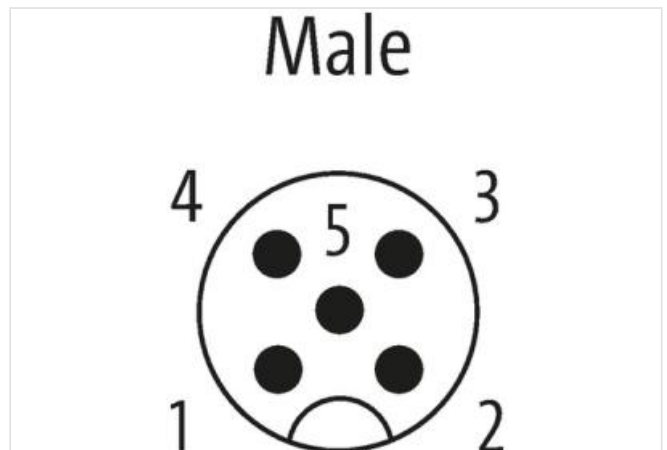
Sealing range (cable Ø): 2.1...3/4...5 mm

Plastic housings with good resistance against chemicals and oils.

The resistance to aggressive media should be individually tested for your application. Further details on request.

[Link to Product](#)**Illustration**

Product may differ from Image

**Form**

Form 12801

Technical Data

Operating voltage	max. 125 V AC/DC
Operating current per contact	max. 4 A
Connection cross section	max. 0.75 mm ²
Sealing range (cable Ø)	2.1...3/4...5 mm (2 cable entries)
Protection	IP67 inserted and tightened (EN 60529)

General data

The information in this brochure has been compiled with the utmost care.

Liability for the correctness completeness and topicality of the information is restricted to gross negligence. Version: 2022-10-05

Murrelektronik Inc. | 1327 Northbrook Parkway, Suite 460 | Suwanee, GA 30024 | Fon +1 770 497-9292 | Fax +1 770 497-9391 | shop@murrinc.com | shop.murrinc.com

Temperature range	-40...+85 °C
Dimensions H×W×D	63×20×20 mm
Article No.	7000-12801-0000000

Mouser Electronics

Authorized Distributor

Click to View Pricing, Inventory, Delivery & Lifecycle Information:

[Murrelektronik:](#)

[7000-12801-0000000](tel:7000-12801-0000000)