

# Resistance thermometer

# Type 380RS

Issue 11/19

## Applications

For temperature measurement in difficult conditions  
in pipes for cooling water or oil, as well as in  
engine and automotive engineering

## Degree of protection

IP 54 acc. to DIN EN 60 529

## Measuring range

0°C ... +200°C

## Sensor

1 x Pt 100 F0,3 acc. to DIN EN 60751 (old cl.B)  
2-wire-circuit

## Protective tube material

Stainless steel

## Protective tube diameter

ø 9 mm

## Installment length

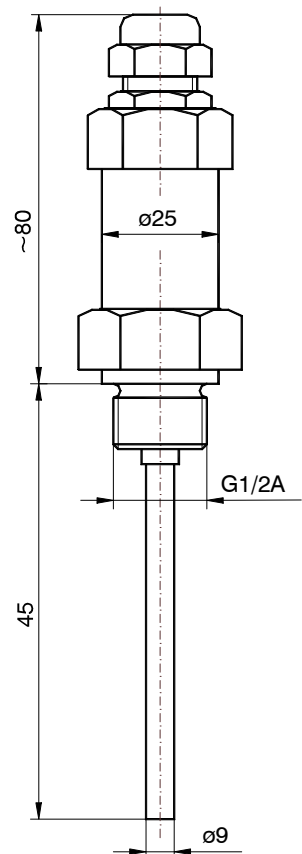
45 mm

## Thread

G 1/2A

## Order Example

380-E-2LS-200



Subject to change without notice

D- 99331 Geratal OT Geraberg, Gewerbepark 6

Tel: +49 (0) 3677 / 7956-0 // Fax: +49 (0) 3677 / 795 625

E-Mail: [info@electrotherm.de](mailto:info@electrotherm.de)

Internet: [www.electrotherm.de](http://www.electrotherm.de)