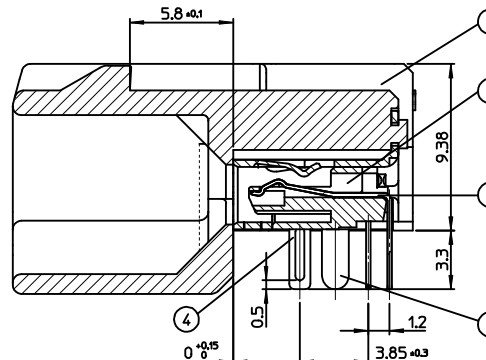
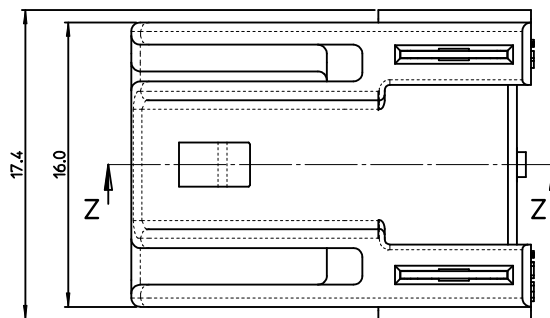
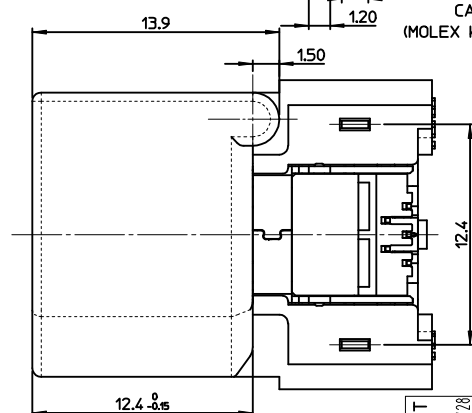
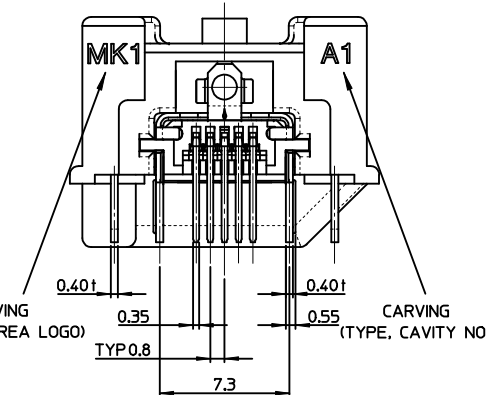
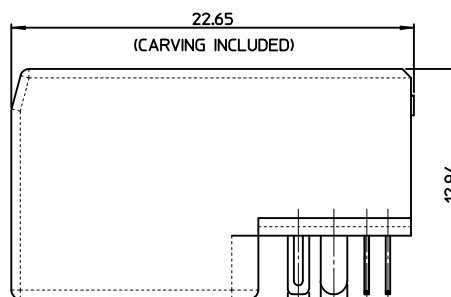
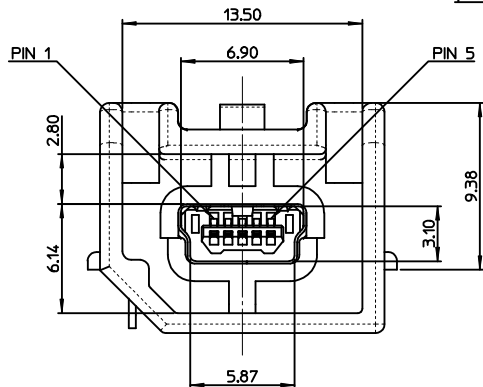


ISOMETRIC VIEW



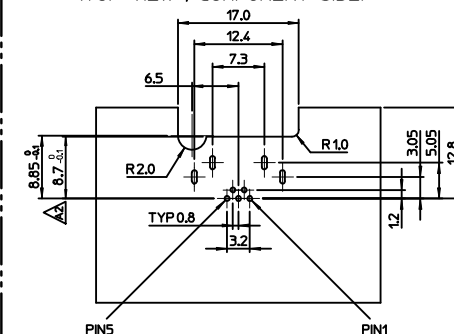
SECTION Z-Z



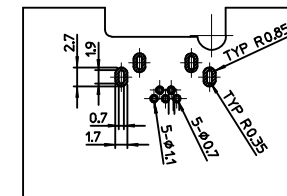
<PART LIST>

NO.	PART NAME	MATERIALS
①	SHROUD	LCP, glass-filled, UL94 V-0
②	REC. HOUSING	LCP, glass-filled, UL94 V-0
③	TERMINAL	COPPER ALLOY
④	SHIELD CASE	PHOSPHOR BRONZE
⑤	FITTING NAIL	BRASS

RECOMMENDED PCB LAYOUT
- TYPE 'A'
(TOP VIEW, COMPONENT SIDE)



(BOTTOM VIEW, SOLDER SIDE)



NOTE

- MATES WITH :
(MOLEX SERIES NO. - 111014, 111015, 111005, 111041, 111019, 111020)
- SHROUD GEOMETRY AND ASSEMBLY WITH USB MINI-B CONNECTOR ARE ACCORDING TO USCAR STD 999-U-USB-Z01
- FINISHES
 - TERMINAL :
CONTACT AREA : GOLD 0.75µm MIN.
SOLDER TAIL AREA : TIN 3.8µm MIN.
UNDER PLATING : NI 1.25µm MIN.
 - SHIELD CASE :
3.0µm MIN. TIN OVER NI 1.0µm MIN.
 - FITTING NAIL :
3.0µm MIN. TIN OVER NI 1.0µm MIN.
- UNLESS OTHERWISE SPECIFIED, TYPICAL RECOMMENDED PCB MANUFACTURING TOLERANCE IS ±0.05
- PACKAGING IS TRAY :
(48 PCS/TRAY, 5 TRAY/TRAY BOX, 240 PCS/TRAY BOX, 960 PCS/CARTON BOX)
- PRODUCT SPECIFICATION : PS-49616-001
- PACKAGING INFORMATION : PK-49616-001
- PCB THICKNESS : 1.6mm(REFERENCE)

<TABLE 1>

MATERIAL NO.	ORDER NO.	COLOR
1040260721	104026-0721	BLACK

CHANGED PCB LAYOUT
EC NO: KTR2013-0029
DRW:HHMOON 2013/02/28
CHK:BCYOON 2013/02/28
APPR:JYCHOI 2013/04/12
REV: A2

QUALITY SYMBOLS	GENERAL TOLERANCES (UNLESS SPECIFIED)		DIMENSION STYLE		SCALE	DESIGN UNITS	THIRD ANGLE PROJECTION	
	mm	INCH	MM ONLY		5:1	METRIC		
▽=0	4 PLACES ±---	±---	DRAWN BY	DATE	TITLE			
▽=0	3 PLACES ±---	±---	HTSONG	2008/04/25	HSAUTOLINK R/A HEADER TYPE-A			
	2 PLACES ±0.15	±---	CHECKED BY	DATE				
	1 PLACE ±0.25	±---	BCYOON	2008/04/25				
	ANGULAR ± 3°		APPROVED BY	DATE				
			EJ JUNG	2008/04/25				
			MATERIAL NO.	DOCUMENT NO.				
			SEE TABLE1	SD-104026-001				
			THIS DRAWING CONTAINS INFORMATION THAT IS PROPRIETARY TO MOLEX INCORPORATED AND SHOULD NOT BE USED WITHOUT WRITTEN PERMISSION					