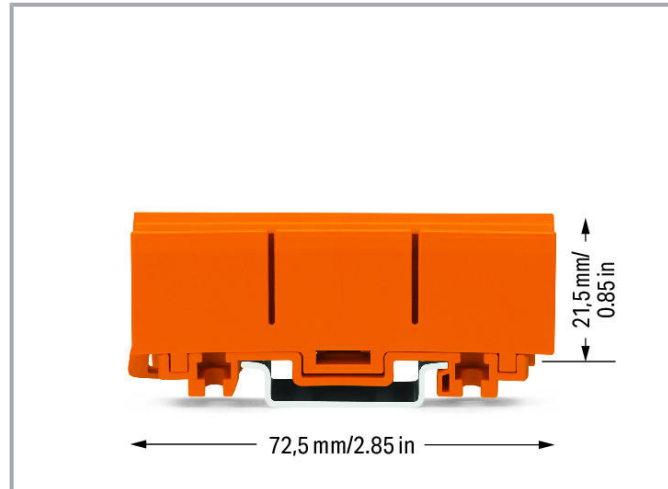
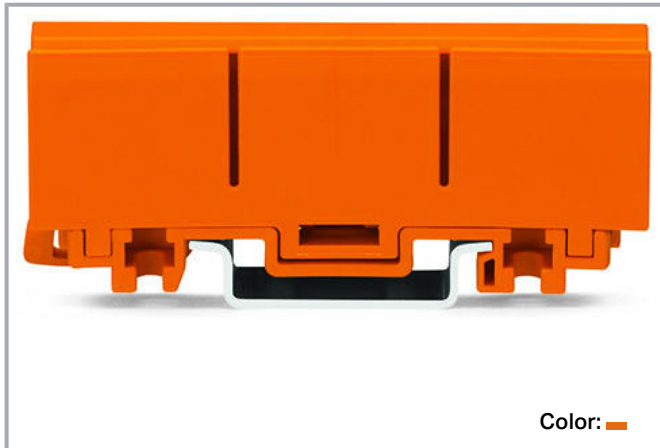


Data sheet | Item number: 2273-500

Mounting carrier; for single- and double-row con.; 2273 Series; for DIN-35 rail mounting/screw mounting; orange

www.wago.com/2273-500



Data Notes

Note

One single carrier can hold up to 24 clamping units in a very narrow space. Previously, this was only possible using rail-mount terminal blocks.

Advantages:

- Mount carrier onto DIN-35 rail or via screws – easily and quickly
- Accommodate three 2.5 mm² (12 AWG) 2273 Series Connectors in a single carrier
- Easily exchange connectors
- Large marking area for self-adhesive marking strips or for direct marking with permanent felt-tip pen

Physical data

Width	18.5 mm / 0.728 inch
Height	72.5 mm / 2.854 inch
Depth from upper edge of DIN-rail	21.5 mm / 0.846 inch

Subject to changes. Please also observe the further product documentation!

WAGO GmbH & Co. KG
Hansastr. 27
32423 Minden
Phone: +49571 887-0 | Fax: +49571 887-169
Email: info.de@wago.com | Web: www.wago.com

Do you have any questions about our products?
We are always happy to take your call at +49 (571) 887-44222.

Mechanical data

Mounting type	DIN-35 rail Screw mount
Suitable	for single- and double-row connectors (2273 Series)

Material data


Note on material data	Information on material data can be found here
Color	orange
Fire load	0.322 MJ
Weight	10.7 g

Commercial data

Product Group	7 (Push Wire Conn.)
PU (SPU)	50 (10) Stück
Packaging type	box
Country of origin	DE
GTIN	4050821101871
Customs tariff number	39269097900


Approvals / Certificates

Ship Approvals

Logo	Approval	Additional Approval Text	Certificate name
	DNV GL Det Norske Veritas, Germanischer Lloyd	EN 60998	TAE000015T

Optional accessories

Marking accessories

Marking strip	
	<p>Item no.: 210-834</p> <p>Marking strips; on reel; 5 mm wide; plain; Self-adhesive; white</p>
	www.wago.com/210-834

Downloads

Documentation

Bid Text

Subject to changes. Please also observe the further product documentation!

WAGO GmbH & Co. KG
 Hansastr. 27
 32423 Minden
 Phone: +49571 887-0 | Fax: +49571 887-169
 Email: info.de@wago.com | Web: www.wago.com

Do you have any questions about our products?
 We are always happy to take your call at +49 (571) 887-44222.



2273-500 X81 - Datei	19-Feb-2019	xml 2.6 kB	Download
-------------------------	-------------	---------------	----------

2273-500 doc - Datei	17-May-2017	doc 24.1 kB	Download
-------------------------	-------------	----------------	----------

ausschreiben.de 2273-500		URL	Download
--------------------------	--	-----	----------

Additional Information

Technical explanations		pdf 2.2 MB	Download
------------------------	--	---------------	----------

CAD/CAE-Data

CAD data

2D/3D Models 2273-500		URL	Download
-----------------------	--	-----	----------

CAE data

EPLAN Data Portal 2273-500		URL	Download
----------------------------	--	-----	----------

WSCAD Universe 2273-500		URL	Download
-------------------------	--	-----	----------

ZUKEN Portal 2273-500		URL	Download
-----------------------	--	-----	----------

Environmental Product Compliance

Compliance Search

Environmental Product Compliance 2273-500		URL	Download
---	--	-----	----------

Mounting carrier; for single- and double-row con.; 2273 Series; for DIN-35 rail mounting/screw mounting; orange

Installation Notes

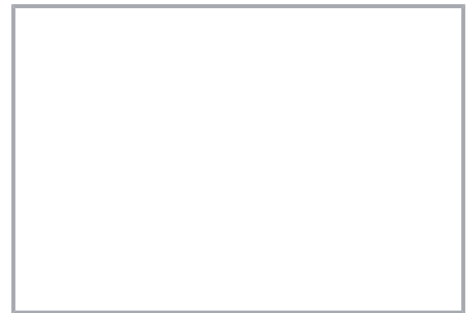
Subject to changes. Please also observe the further product documentation!

WAGO GmbH & Co. KG
Hansastr. 27
32423 Minden
Phone: +49571 887-0 | Fax: +49571 887-169
Email: info.de@wago.com | Web: www.wago.com

Do you have any questions about our products?
We are always happy to take your call at +49 (571) 887-44222.



The mounting carrier is suitable for both connector heights.



To adjust the mounting carrier, unlock the latch via operating tool (5.5 mm blade) and move the clamping slide to the required width by rotating the tool.

The mounting carrier is suitable for both connector widths and can be adjusted by unlocking the latch via operating tool (5.5 mm blade) and moving the clamping slide to the required width by rotating the tool.

The mounting carrier is suitable for both connector widths.

Subject to changes. Please also observe the further product documentation!