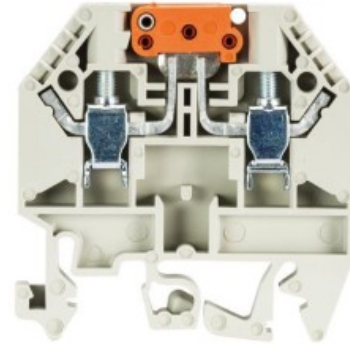


Data sheet

Art.No.: 57.504.2055.0

Knife disconnect terminal WK 4 TKM/U /V0

Knife disconnect terminal block with screw connection for mounting on TS 35 and TS 32, nominal cross section 4 mm², width 6 mm, color gray



Art.No.	57.504.2055.0
EAN	4015573499683
Order Unit	100

Certificates / Approvals



Technical data

General

Nominal cross section	4 mm ²
Color	Grey
Number of levels	1
Number of clamp positions per level	2
Width/grid dimension	6 mm
Insulating housing	PA666
Inflammability class of insulation material acc. with UL94	V0
Mounting method	DIN rail (top hat rail)/G-rail
Terminal blocks for electrical installations	No

Technical data

Rated current	20 A
Rated voltage	800 V
Rated impulse voltage	6 kV
Pollution degree	3
Closing plate required	Yes
Type of insulation material	Thermoplastic
Length	48 mm

Connection Data

Connection type 1	Screw connection
Connection type 2	Screw connection
Minimum cross section solid	0.5 mm ²
Maximum cross section solid	6 mm ²
Minimum cross section fine stranded	0.5 mm ²
Maximum cross section fine stranded	4 mm ²

Wire strip length	9 mm
Torque conductor mounting	0.5 Nm

Technical Data UL/CSA

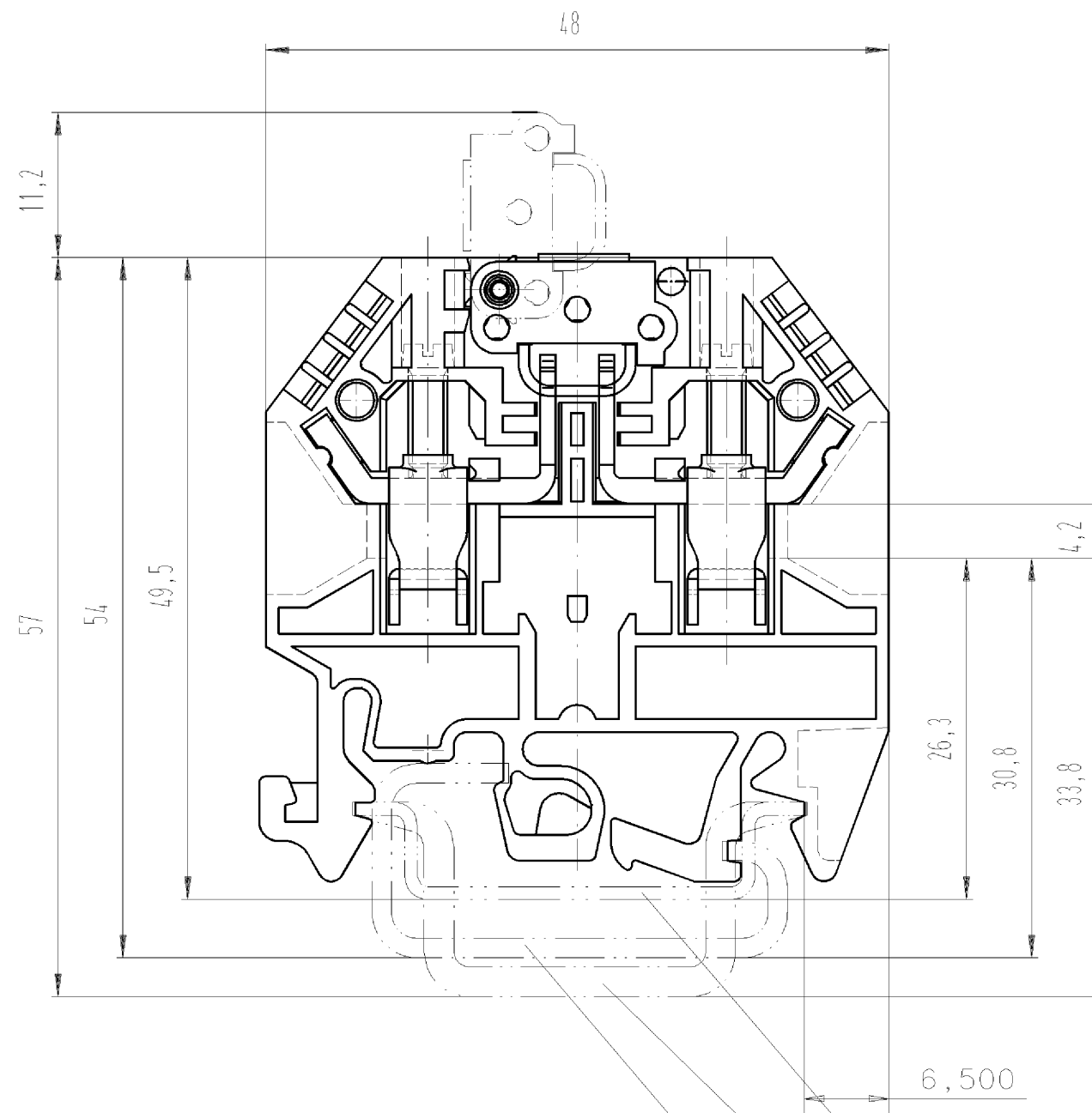
Cross section UL	22-10 AWG
Voltage UL	600 V
Current factory wiring	20 A
Current field wiring	20 A
Cross section CSA	22-10 AWG
Voltage CSA	600 V
Current CSA	20 A

Note

Integrated test socket	No
------------------------	----

Classification

ECLASS 8.1	27141126
ETIM 7.0	EC000902
ETIM 6.0	EC000902
ETIM 5.0	EC000902
ETIM 4.0	EC000902
ETIM 3.0	EC000902



- Hutschiene EN 60715-35x7,5
mountail rail EN 60715-35x7,5
- Hutschiene EN 60715-35x15
mountail rail EN 60715-35x15
- G-Schiene EN 60715-G32
G-rail EN 60715-G32

* spezielle Verpackung
specific package

Weitere Daten siehe Katalog
further data see catalog

Teile - Nr. part-number	Farbe colour	Typ type
57.504.2055.0	grau/grey	WK 4 TKM/U/VO
57.504.2055.6	blau/blue	WK 4 TKM/U BLAU/VO
57.504.2055.9	orange/orange	WK 4 TKM/U ORANGE/VO
* 57.504.2095.0	grau/grey	WK 4 TKM/U/VO
* 57.504.2095.6	blau/blue	WK 4 TKM/U BLAU/VO

Tolerierung nach DIN 7167/Tolerance system acc. to DIN 7167. (This DIN-standard describes the envelope principle. According to the envelope principle the deviations of form and parallelism are limited by the size tolerances).		ja/yes <input checked="" type="checkbox"/> Stoffverbots- und Deklarationsliste nach UU-TQM-05/03 ist einzuhalten. Conformity with Wieland document UU-TQM-05/03 (list of prohibited / declarable hazardous substances) to be declared!	
Freitoleranz nach General tolerance	CAD - Zeichnung, keine manuellen Änderungen CAD - drawing, no manual modifications allowed	1. Verwendung: First Use:	Blatt: 1 von 1 Sheet: of 1
	Werkstoff/Material	2004 Tag/Date Name	Zeichnung Nr./Drawing No. Index
		gezeichnet drawn 24.09. Schmitt J.	
	Maßstab/Scale	geprüft checked	T 57.504.2055.0 01K a
	%	Normgepr. Stand. check	
	Vol. mm ³ Ofl./Surf. mm ²	Ersatz für/Replacement for: -	
		Type	Benennung/Title
a 06.12.2007/ Index Datum / Blatt Date / Sheet	wieland Elektrische Verbindungen	MESSERTRENNKLEMME Knife disconnect terminal	
Änderung/Revision			

These dimensions will be especially checked at delivery
 Only inspection dimensions
 With ±E marked dimensions are only valid for internal use
 Diese Maße werden bei Abnahme besonders geprüft
 Ausschließlich Prüfmaße
 Mit ±E gekennzeichnete Maße sind nur für interne Zwecke gültig

Weitergabe sowie Vervielfältigung dieses Dokuments, Verwertung und Mitteilung
 seines Inhalts sind verboten, soweit nicht ausdrücklich gestattet.
 The reproduction, distribution and utilization of this document as well as the
 communication of its contents to others without express authorization is prohibited.

575042055001K_4_CADW1044_treschan 2007-12-06T11:06:50 1.000