

PLEASE CHECK WWW.MOLEX.COM FOR LATEST PART INFORMATION

Part Number: [50039-8000](#)
Status: **Active**
Overview: Mizu-P25™ Miniature Waterproof Connectors
Description: 2.50mm Pitch Mizu-P25™ Crimp Terminal, 50039, Reel

Documents:

[Drawing \(PDF\)](#) [Application Specification AS-50038-001 \(PDF\)](#)
[Product Specification PS-52048-001 \(PDF\)](#) [RoHS Certificate of Compliance \(PDF\)](#)
[Product Specification PS-52117-008 \(PDF\)](#)

General

Product Family	Crimp Terminals
Series	50039
Application	Signal
Crimp Quality Equipment	Yes
Overview	Mizu-P25™ Miniature Waterproof Connectors
Packaging Alternative	50039-8100 (Loose)
Product Name	Mizu-P25™ Waterproof
UPC	800754368681

Physical

Gender	Female
Material - Metal	Phosphor Bronze
Material - Plating Mating	Tin
Material - Plating Termination	Tin
Net Weight	60.500/mg
Packaging Type	Reel
Plating min - Mating	0.889µm
Plating min - Termination	0.914µm
Termination Interface: Style	Crimp or Compression
Wire Insulation Diameter	1.80-1.90mm
Wire Size AWG	20, 22
Wire Size mm²	N/A

Electrical

Voltage - Maximum	250V
-------------------	------

Material Info

Reference - Drawing Numbers

Application Specification	AS-50038-001
Product Specification	PS-52048-001, PS-52117-008, RPS-52048-001
Sales Drawing	SD-50039-001

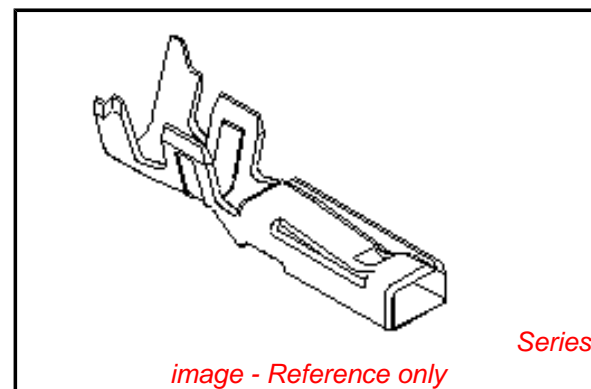


image - Reference only

EU RoHS

**ELV and RoHS
Compliant**

REACH SVHC

**Contains SVHC: No
Low-Halogen Status
Low-Halogen**

China RoHS



**Need more information on product
environmental compliance?**

Email productcompliance@molex.com
 For a multiple part number RoHS Certificate of
 Compliance, [click here](#)

Please visit the [Contact Us](#) section for any
 non-product compliance questions.

Search Parts in this Series

[50039Series](#)

Mates With

[50038 2.50mm Pitch Mizu-P25™ Crimp
Terminal](#)

Use With

[52117 Mizu-P25™ 2.50mm Pitch
Waterproof Wire-to-Wire Receptacle
Housing](#)

Application Tooling | FAQ

*Tooling specifications and manuals are
 found by selecting the products below.
 Crimp Height Specifications are then
 contained in the Application Tooling
 Specification document.*

Global

Description	Product #
T2 Terminator Tooling Die for 2.50mm Pitch Splash Proof Crimp	0639100100

Terminal, 20-22
AWG
Hand Crimp Tool for 0638233900
Splash Proof Crimp
Terminal
FineAdjust™ 0639000100
Applicator for
2.50mm Pitch
Splash Proof Crimp
Terminal, 20-22
AWG
Japan
Description **Product #**
Applicator for M211A 0570843000
Bench Press

This document was generated on 02/10/2015

PLEASE CHECK WWW.MOLEX.COM FOR LATEST PART INFORMATION