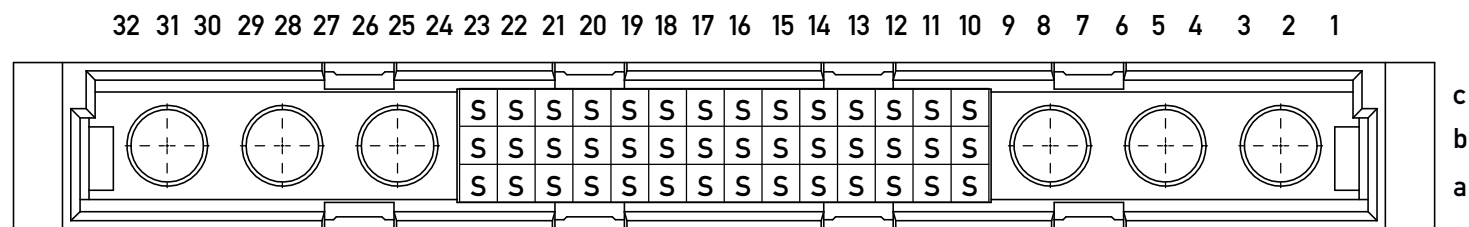
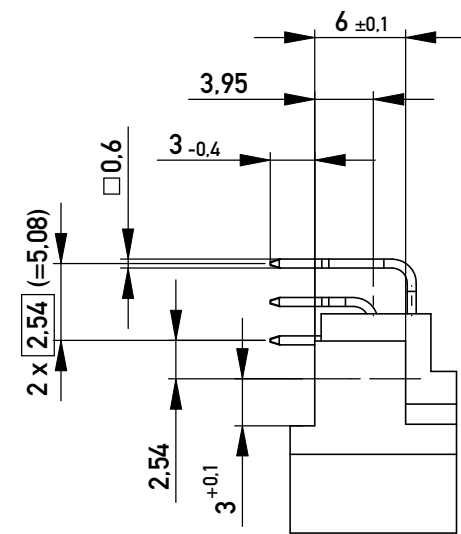
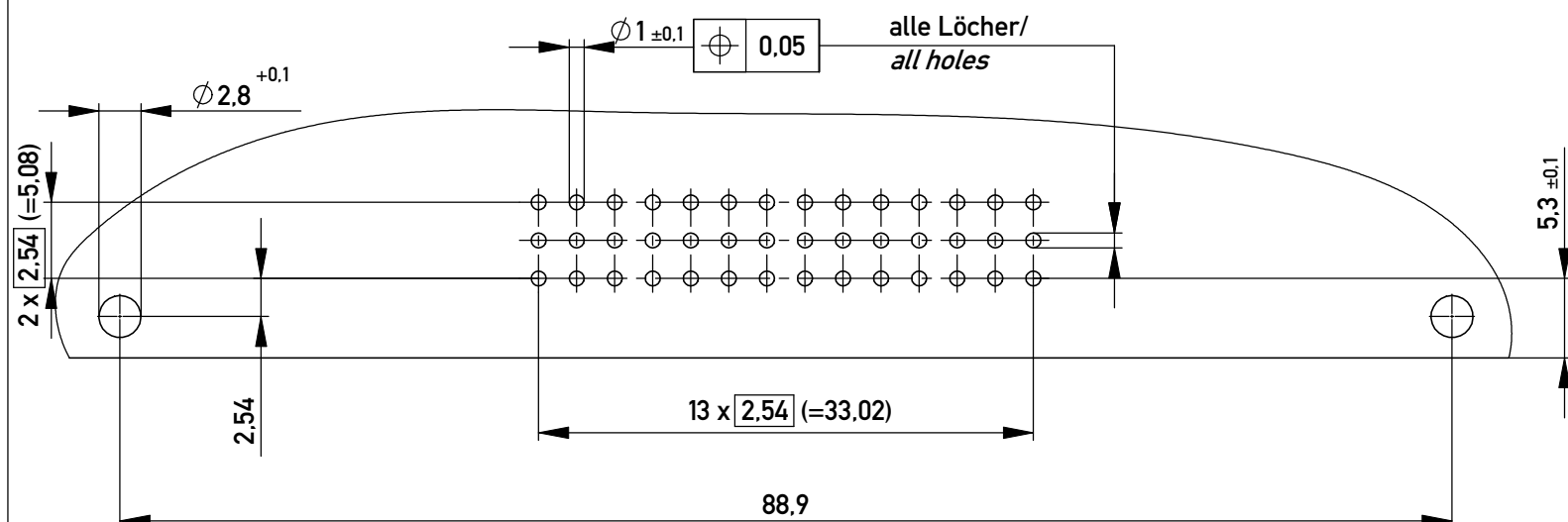


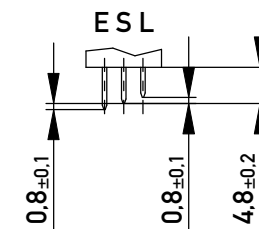
Bestückungsplan / contact layout



Leiterplatten-Lochbild / PCB drillhole pattern



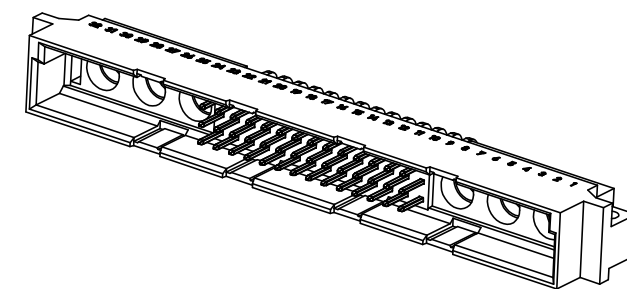
Stecklänge / mating length



E = early mate, late break / voreilend

S = standard

L = late mate, early break / nacheilend



Lötanschluss 0,6x0,6mm / solder terminal 0,6x0,6mm

Isolierwerkstoff / housing material : PBT GF 30

Bauart 4 / type 4

Anforderungsstufe 2 = 400 Steckzyklen / performance class 2 = 400 mating cycles

Fehlende Maße und Angaben nach IEC 60 603-2 / DIN EN 60 603-2

Missing information and dimensions per IEC 60 603-2 / DIN EN 60 603-2

Bedruckung siehe Zeichnung 294905

Marking see drawing 294905

Copyright by ERNI GmbH  
Proprietary notice pursuant to ISO 16016 to be observed.

|  |      |                      |  |   |     |
|--|------|----------------------|--|---|-----|
| Information:   |      | Tolerances           |  | Scale   | 2:1 |
| All rights reserved.<br>Only for Information.<br>To ensure that this is the latest version of this drawing, please contact one of the ERNI companies before using. |      | All Dimensions in mm |  | Designation   |     |
| Subject to modification without prior notice.<br>Drawing will not be updated.  |      |                      |  | Messerleiste M 42-6 Löt<br>Male Connector 42-6 solder |     |
| www.ERNI.com   |      | 374162               |  | 1   |     |
| Index  | Date | Class                |  | STVM  |     |
|  |      |                      |  | A3  |     |