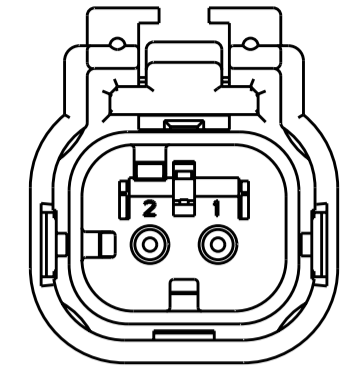
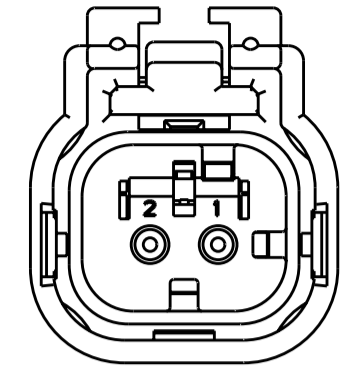


THIS DRAWING IS UNPUBLISHED. RELEASED FOR PUBLICATION 20  
 © COPYRIGHT 20 BY - ALL RIGHTS RESERVED.

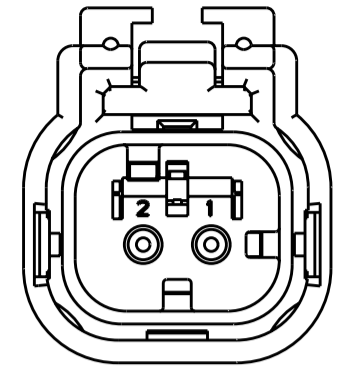
LOC	DIST	REVISIONS					
GE	00	P	LTR	DESCRIPTION	DATE	DWN	APVD
			D2	REVISED PER ECO-11-005030	11MAR2011	RK	HMR



776522-2  
SCALE 2:1  
KEY B

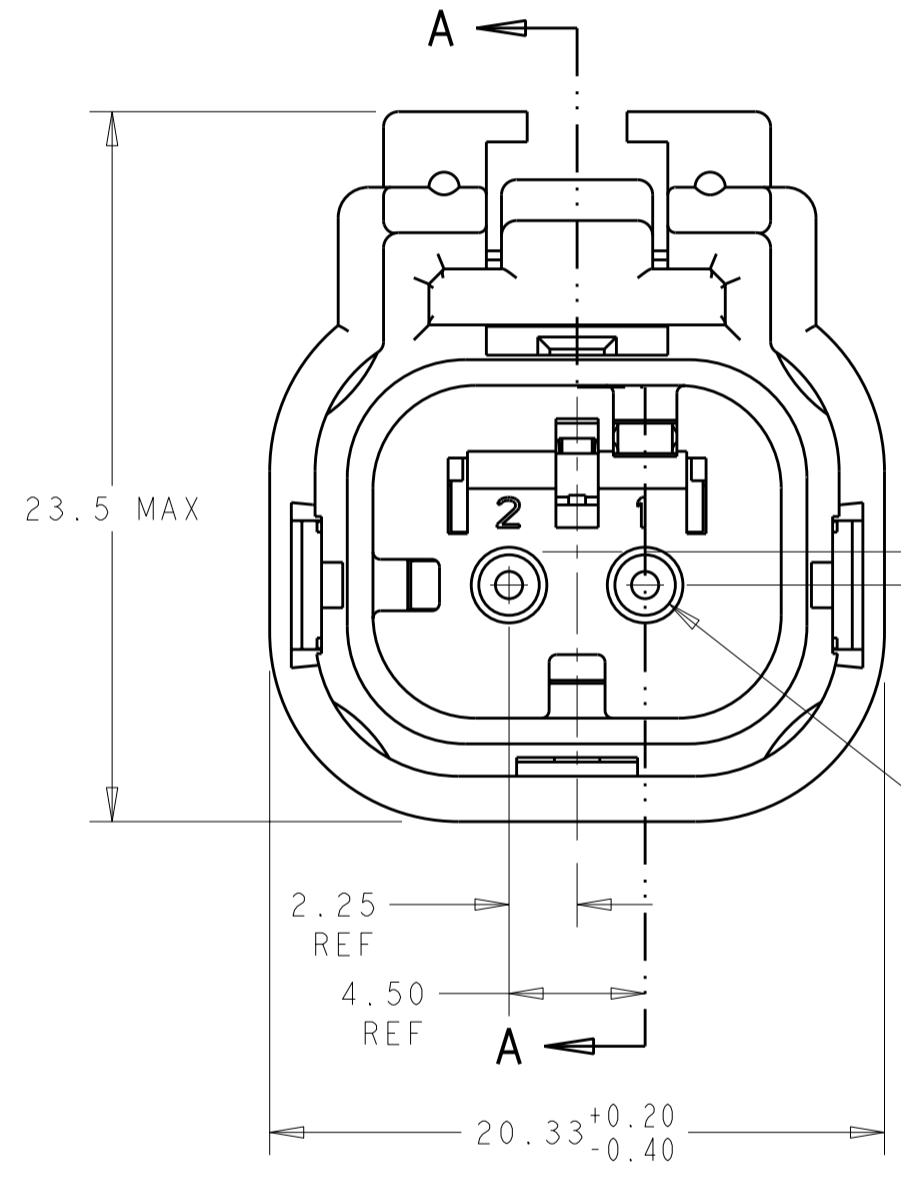


776522-3  
SCALE 2:1  
KEY C

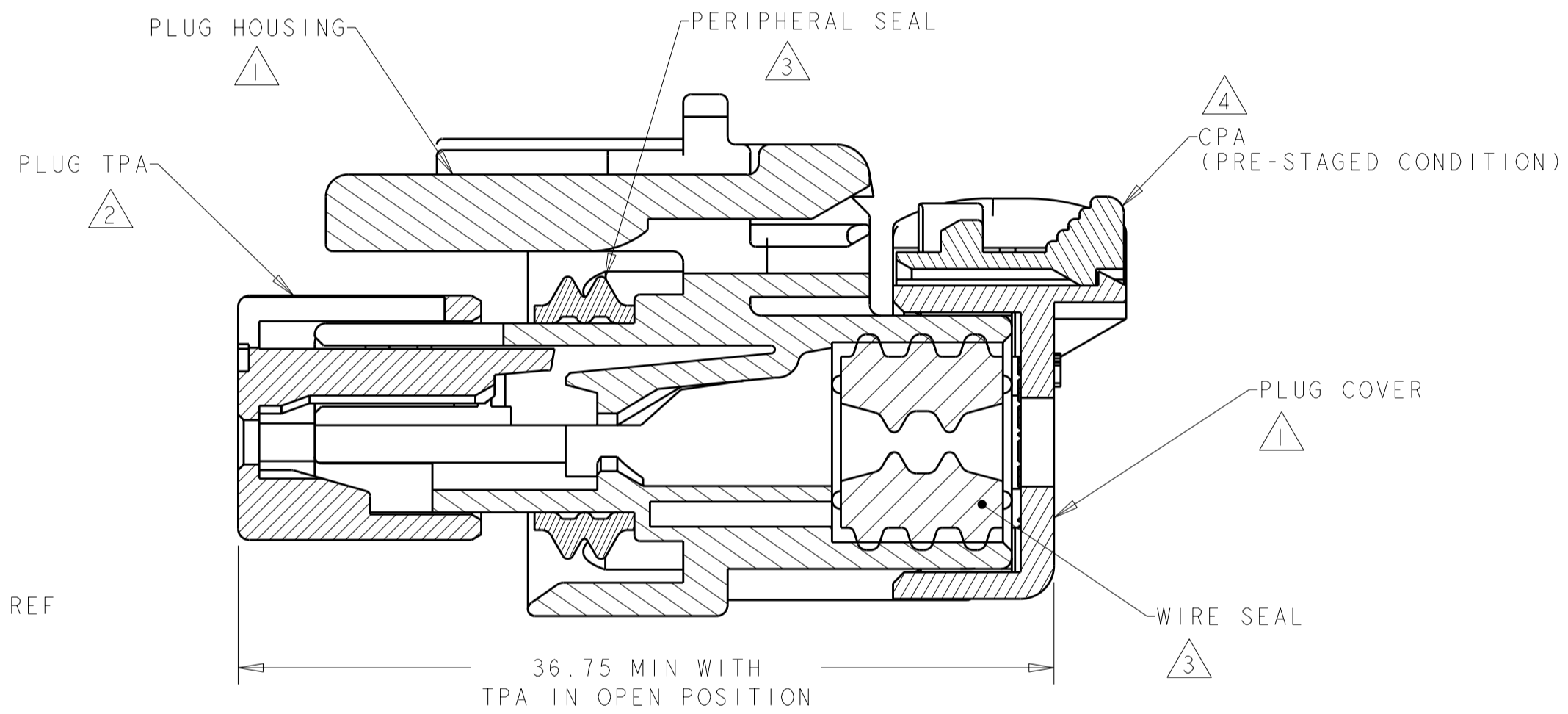


776522-4  
SCALE 2:1  
KEY D

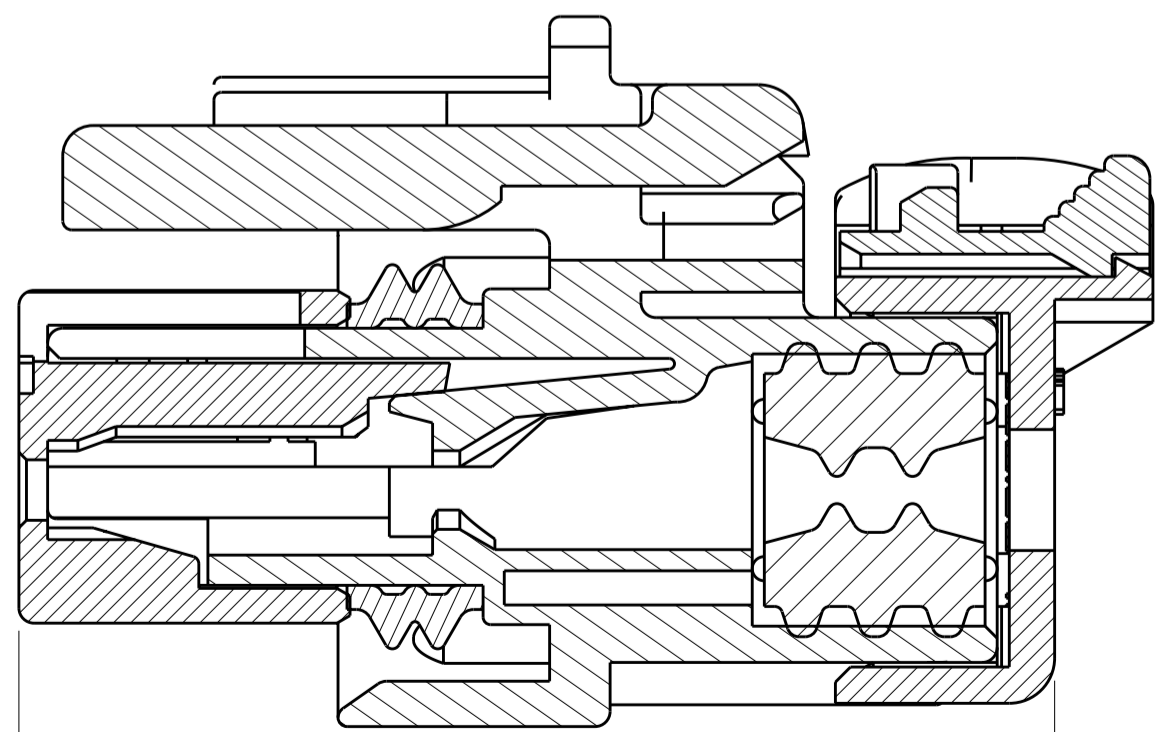
- 1 MATERIAL: 15% GLASS FILLED THERMOPLASTIC  
COLOR: BLACK
  - 2 MATERIAL: 15% GLASS FILLED THERMOPLASTIC  
COLOR: (SEE TABLE)
  - 3 MATERIAL: SILICONE  
COLOR: LIGHT BLUE
  - 4 MATERIAL: 15% GLASS FILLED THERMOPLASTIC  
COLOR: RED
5. RECOMMENDED WIRE DIAMETER RANGE IS 1.30 TO 2.54mm.



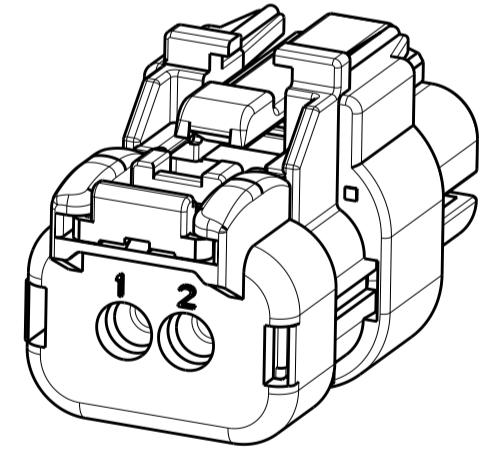
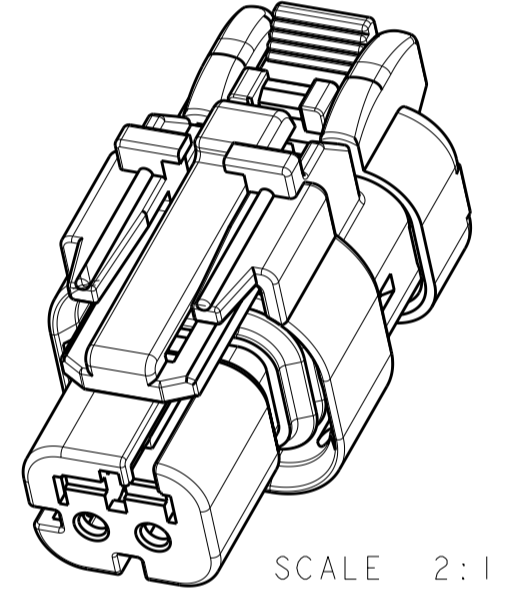
776522-1 SHOWN  
KEY A



SECTION A-A



SECTION A-A



D	GREEN	776522-4
C	YELLOW	776522-3
B	GRAY	776522-2
A	RED	776522-1
KEY	TPA COLOR	PART NUMBER

THIS DRAWING IS A CONTROLLED DOCUMENT.

DIMENSIONS:	TOLERANCES UNLESS OTHERWISE SPECIFIED:	DWN	AJ GRAFF	22FEB00
mm	0 PLC ±	CHK	R. GREINER	11DEC01
	1 PLC ±	APVD	M. TRULLI	11DEC01
	2 PLC ±	PRODUCT SPEC		108-2184
	3 PLC ±	APPLICATION SPEC		114-13065
	4 PLC ±	WEIGHT		8±1g
	ANGLES ±	CUSTOMER DRAWING		
	FINISH			

NAME: PLUG ASSEMBLY, 2 POSITION, SINGLE ROW, REDUCED DIA WIRE SEAL, AMPSEAL 16

SIZE: A2 CAGE CODE: 0779 DRAWING NO: C-776522 RESTRICTED TO: -

SCALE: 4:1 SHEET: 1 OF 1 REV: D2