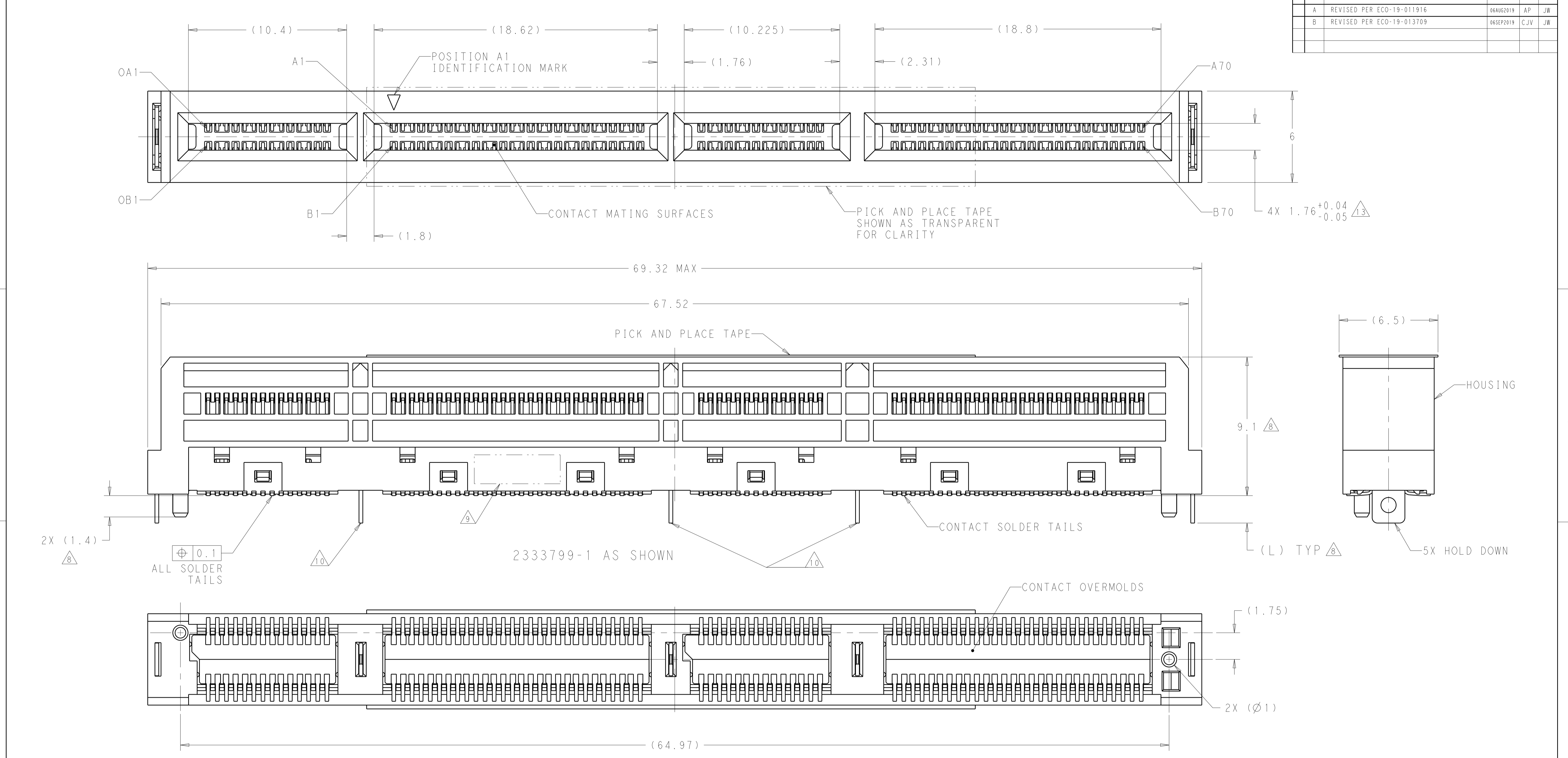


REVISIONS					
P.	LTN.	DESCRIPTION	DATE	DWN.	APVD.
A		REVISED PER ECO-19-011916	06AUG2019	AP	JW
B		REVISED PER ECO-19-013709	06SEP2019	CJV	JW



- Δ1 HOUSING AND CONTACT OVERMOLDS - LCP, BLACK, UL94V-0 RATED. CONTACTS AND HOLD DOWNS - COPPER ALLOY. PICK AND PLACE TAPE - POLYIMIDE FILM.
- Δ2 CONTACTS - GOLD PLATE ON MATING SURFACES, TIN PLATE ON SOLDER TAILS. HOLD DOWNS - TIN PLATE.
- Δ3 DATUMS AND BASIC DIMENSIONS ESTABLISHED BY CUSTOMER.
- 4. DESIGNED FOR A 1.5 MIN THICK HOST PC BOARD.
- Δ5 SEE MSA SPECIFICATION FOR ADDITIONAL PADDLE CARD LAYOUTS COMPATIBLE WITH THIS RECEPTACLE AND FOR OPTIONAL SPLIT CONTACT PAD LAYOUTS FOR THE PADDLE CARD. SPECIFICATION PINOUT MAY ALSO DESIGNATE PAD SEQUENCE DIFFERENT FROM ILLUSTRATION.
- Δ6 POSITIONS DESIGNATED AS "SIGNAL" ARE REQUIRED LOCATIONS FOR HIGH SPEED DIFFERENTIAL PAIR SIGNALING. THESE LOCATIONS MAY ALSO BE USED FOR SUPPORTING SIDEBAND SIGNALS OR OTHER UTILITY PURPOSES. POSITIONS DESIGNATED AS "GROUND" ARE REQUIRED WHEN SUPPORTING HIGH SPEED DIFFERENTIAL SIGNALS. THESE LOCATIONS MAY ALSO BE USED FOR SIDEBAND SIGNALS OR OTHER UTILITY PURPOSES.

- Δ7 COMPONENT AND TRACE KEEP OUT AREA. EACH EDGE 0.15 MIN FROM EDGE OF HOLE.
- Δ8 DIMENSION APPLIES FROM CONTACT TAILS.
- Δ9 DATE CODE MARKED IN APPROXIMATE AREA SHOWN.
- Δ10 ADDITIONAL HOLD DOWNS FOR 2333799-1 THRU 2333799-3, AND 2333799-7 ONLY.
- Δ11 HARD TRAY PACKAGED FOR PICK AND PLACE SURFACE MOUNT PROCESSING, SEE FIGURE 1.
- Δ12 TAPE AND REEL PACKAGED FOR PICK AND PLACE SURFACE MOUNT PROCESSING, SEE FIGURE 2. POCKET TAPE WIDTH = 88.
- Δ13 MATES WITH BOARDS DESIGNED TO THE SFF-TA-1002 SPECIFICATION.

(L)	PACKAGING	PLATING	PICK AND PLACE TAPE	NUMBER OF HOLD DOWNS	MATING CYCLES	PART NUMBER
1.8	POCKET TAPE	0.76μm Au	YES	5	200	1-2333799-0
1.2	POCKET TAPE	0.76μm Au	YES	2	200	2333799-9
1.2	POCKET TAPE	0.76μm Au	NO	2	200	2333799-8
1.8	POCKET TAPE	0.76μm Au	NO	5	200	2333799-7
1.8	HARD TRAY	0.76μm Au	YES	2	200	2333799-6
1.8	HARD TRAY	0.38μm Au	YES	2	100	2333799-5
1.8	HARD TRAY	FLASH Au/Pd Ni	YES	2	50	2333799-4
1.8	HARD TRAY	0.76μm Au	YES	5	200	2333799-3
1.8	HARD TRAY	0.38μm Au	YES	5	100	2333799-2
1.8	HARD TRAY	FLASH Au/Pd Ni	YES	5	50	2333799-1

THIS DRAWING IS A CONTROLLED DOCUMENT. DWN: J. SHIRK 27MAR2018, CHK: J. WESTMAN 27MAR2018, APVD: J. WESTMAN

DIMENSIONS: mm. TOLERANCES UNLESS OTHERWISE SPECIFIED: 0 PLC ±0.1, 1 PLC ±0.1, 2 PLC ±0.1, 3 PLC ±0.1, 4 PLC ±0.1, ANGLES ±°.

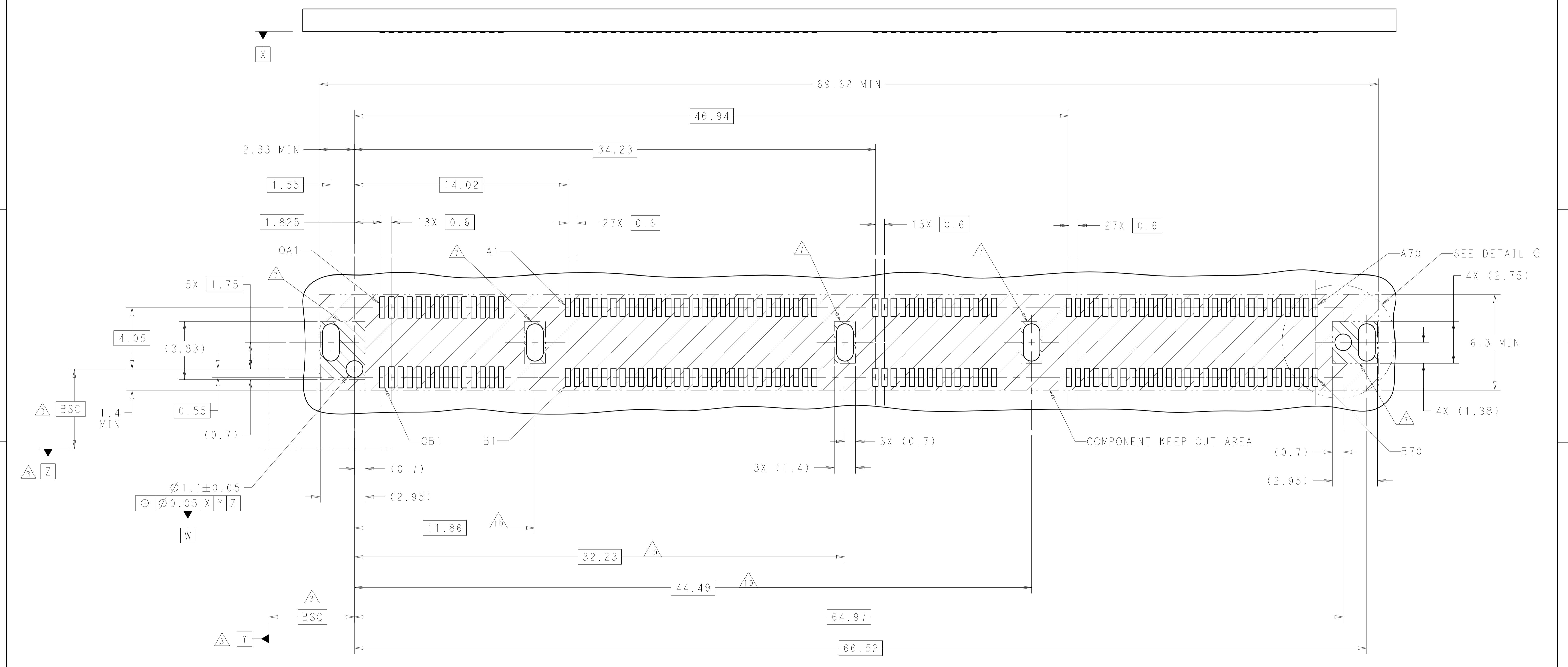
MATERIAL: Δ1. FINISH: Δ2.

PRODUCT SPEC: 108-130021. APPLICATION SPEC: 114-130008. WEIGHT: -. CUSTOMER DRAWING.

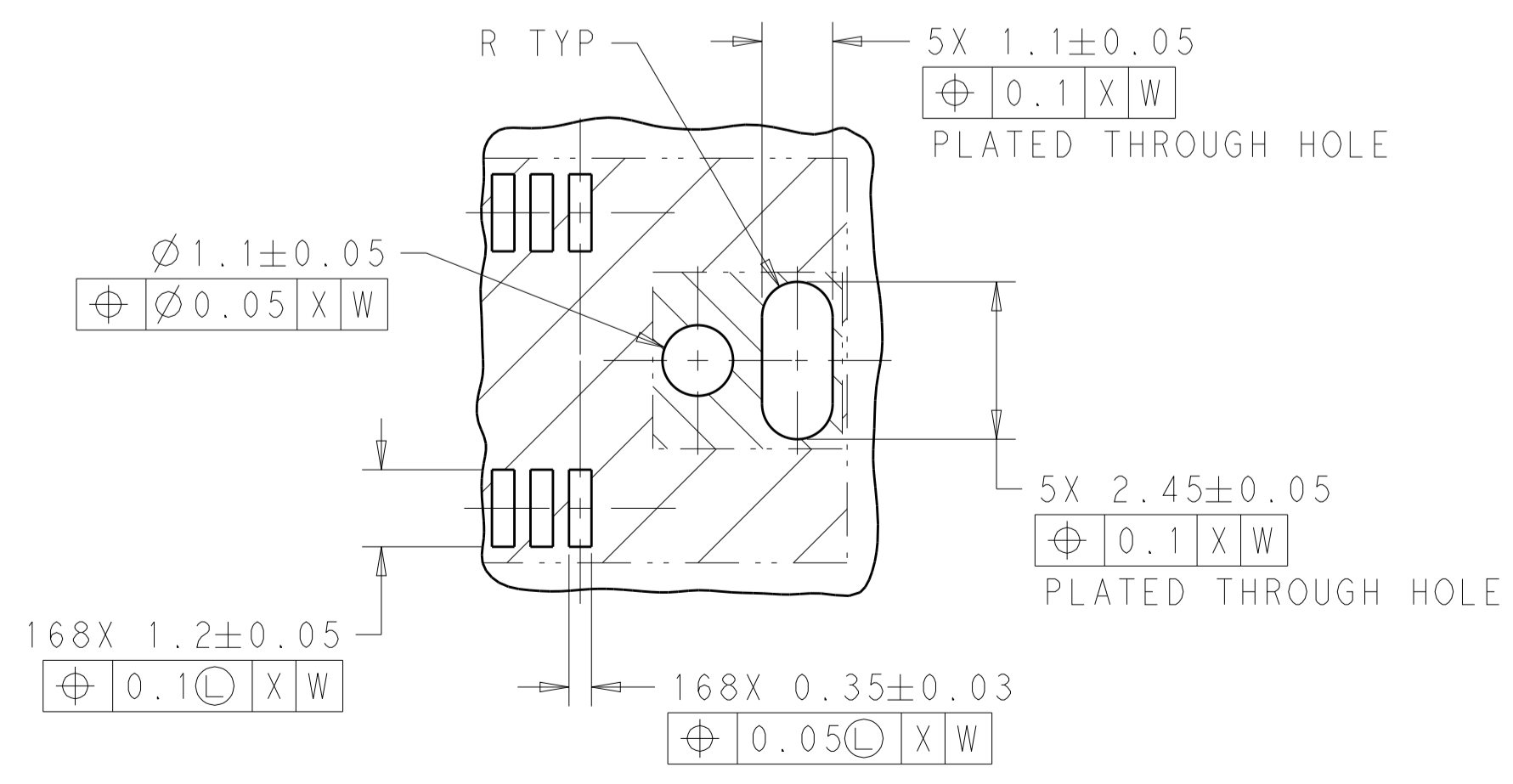
NAME: RECEPTACLE ASSEMBLY, VERTICAL, 168 POSITION, SLIVER 2.0. SIZE: A1. CAGE CODE: 100779. DRAWING NO: C=2333799. RESTRICTED TO: B.

SCALE: 8:1. SHEET: 1 OF 4. REV: B.

REVISIONS				
P.	LTN.	DESCRIPTION	DATE	APVD.
-	-	SEE SHEET 1	-	-



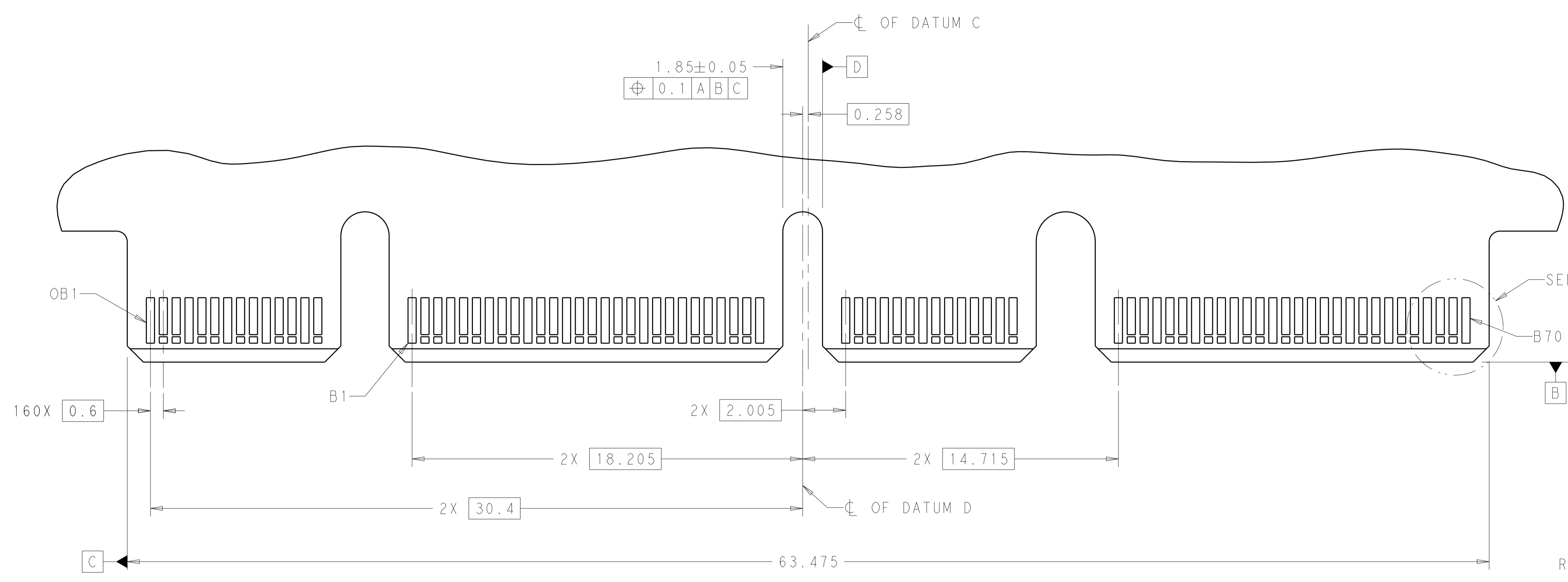
RECOMMENDED PCB LAYOUT AND KEEP OUT AREA



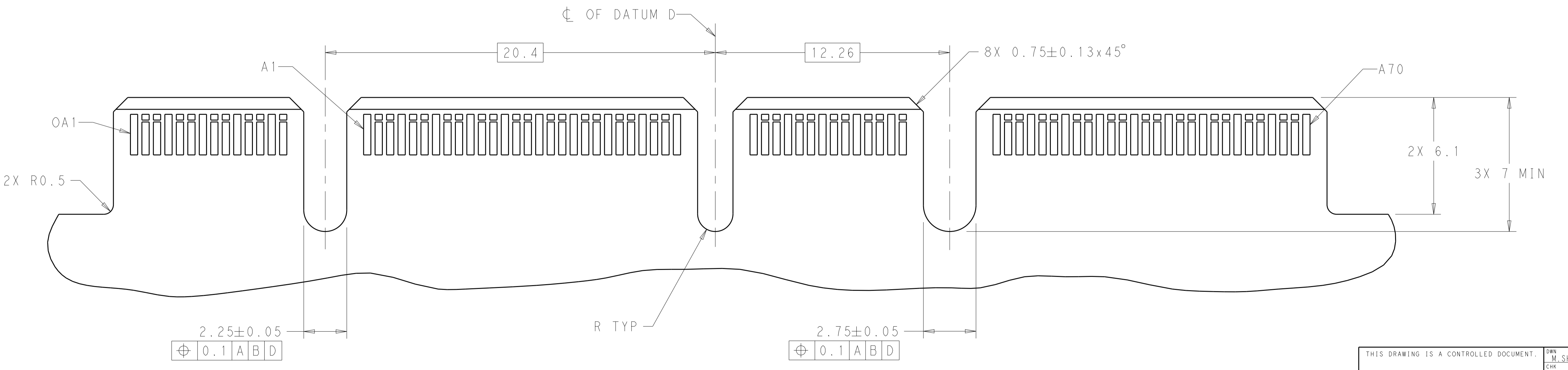
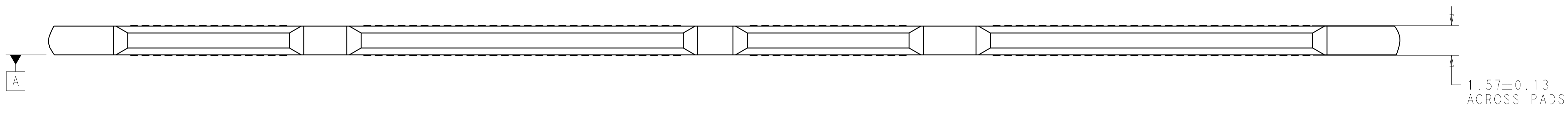
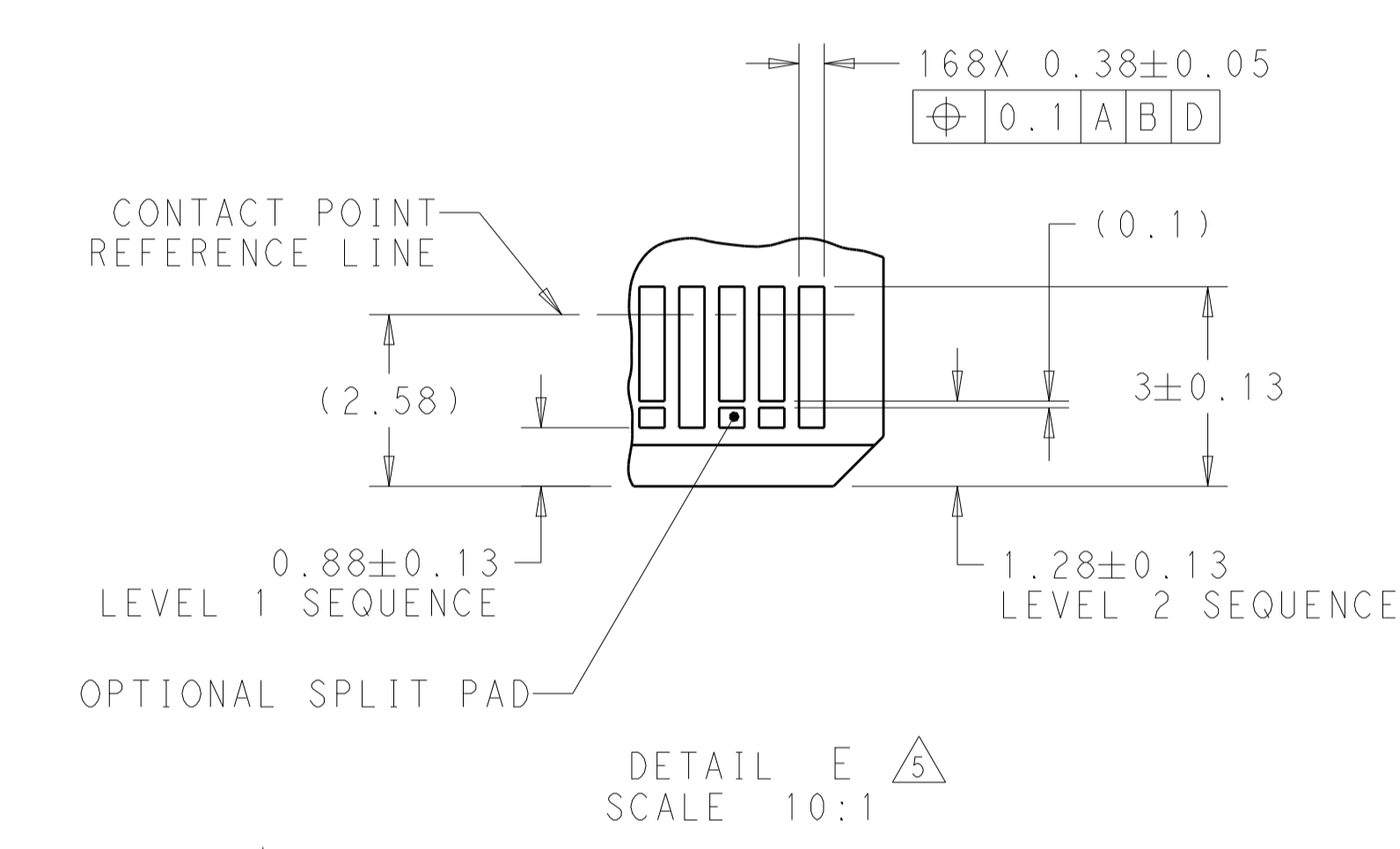
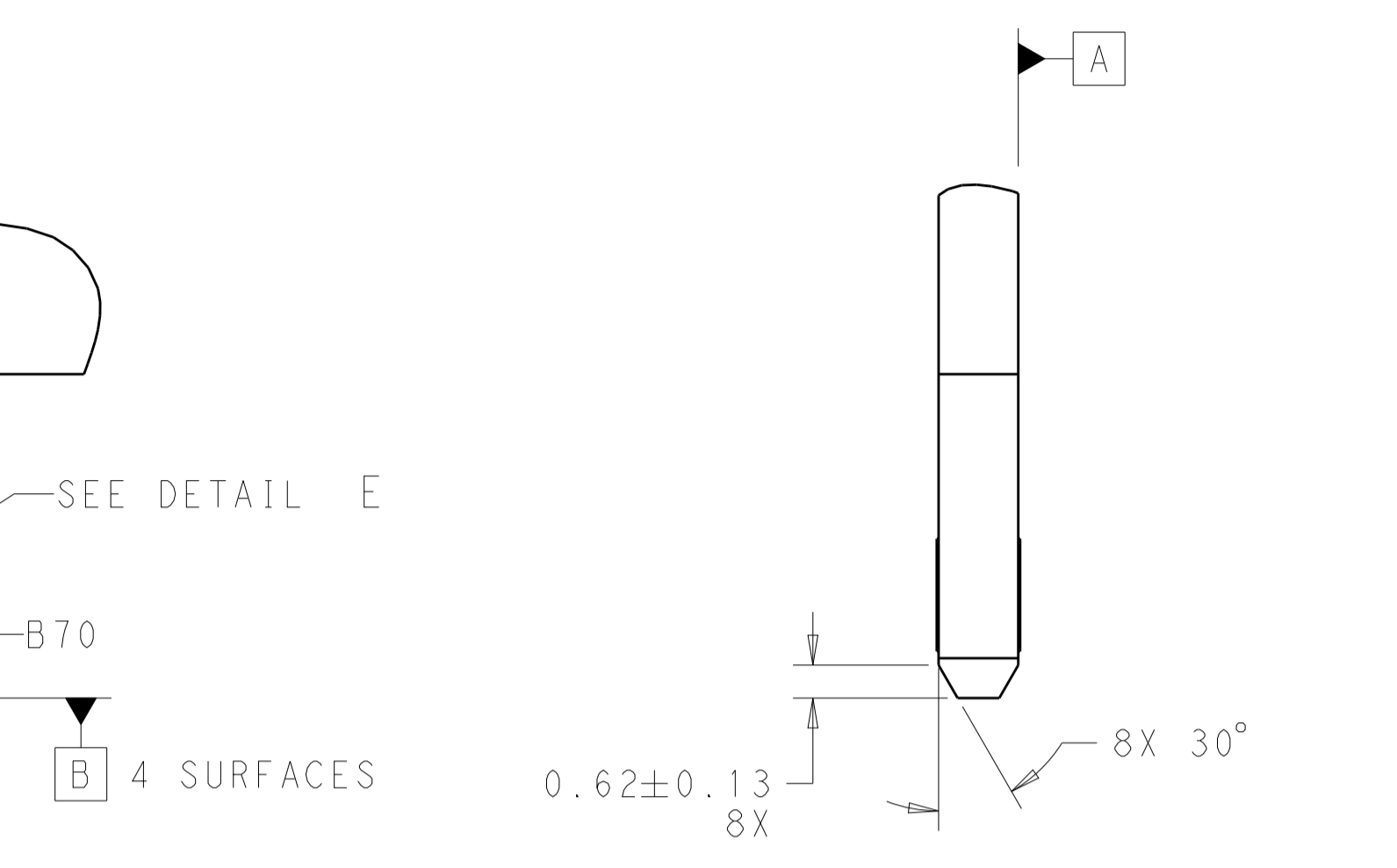
DETAIL G  
 SCALE 10:1

THIS DRAWING IS A CONTROLLED DOCUMENT.		DWN M. SHIRK 27MAR2018 CH J. WESTMAN 27MAR2018 APVD	TE Connectivity	
DIMENSIONS: mm TOLERANCES UNLESS OTHERWISE SPECIFIED: 0 PLC ±0.1 1 PLC ±0.1 2 PLC ±0.1 3 PLC ± 4 PLC ± ANGLES ±°		PRODUCT SPEC 108-130021 APPLICATION SPEC 114-130008 WEIGHT CUSTOMER DRAWING		NAME RECEPTACLE ASSEMBLY, VERTICAL, 168 POSITION, SLIVER 2.0 SIZE CAGE CODE DRAWING NO. A100779 RESTRICTED TO
		SCALE 5:1	SHEET 2 OF 4	REV B

REVISIONS				
P.	LTN.	DESCRIPTION	DATE	APVD.
-	-	SEE SHEET 1	-	-



RECOMMENDED PCB OUTLINE DIMENSIONS.  
 TOLERANCE VALUES ARE CRITICAL. PLEASE BE SURE TO DESIGNATE  
 TOLERANCES TO PCB SUPPLIER TO ENSURE OPTIMIZED FUNCTIONALITY.



THIS DRAWING IS A CONTROLLED DOCUMENT.		DWN: M. SHIRK 27MAR2018	TE Connectivity
DIMENSIONS: mm		CHK: J. WESTMAN 27MAR2018	
TOLERANCES UNLESS OTHERWISE SPECIFIED:		APVD:	NAME: RECEPTACLE ASSEMBLY, VERTICAL, 168 POSITION, SLIVER 2.0
0 PLC	±0.1	PRODUCT SPEC	108-130021
1 PLC	±0.1	APPLICATION SPEC	114-130008
2 PLC	±0.1	SIZE	CAGE CODE DRAWING NO
3 PLC	±0.1	WEIGHT	A100779C=2333799
4 PLC	±0.1	CUSTOMER DRAWING	SCALE 5:1 SHEET 3 OF 4 REV B
ANGLES	±°		
FINISH	±μm		

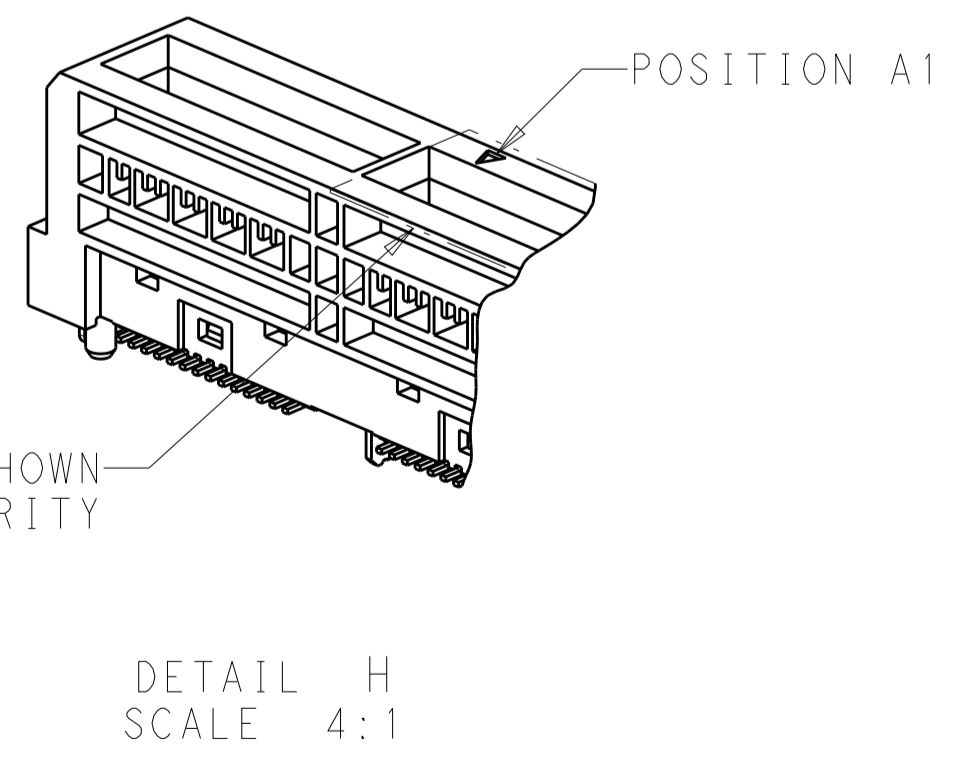
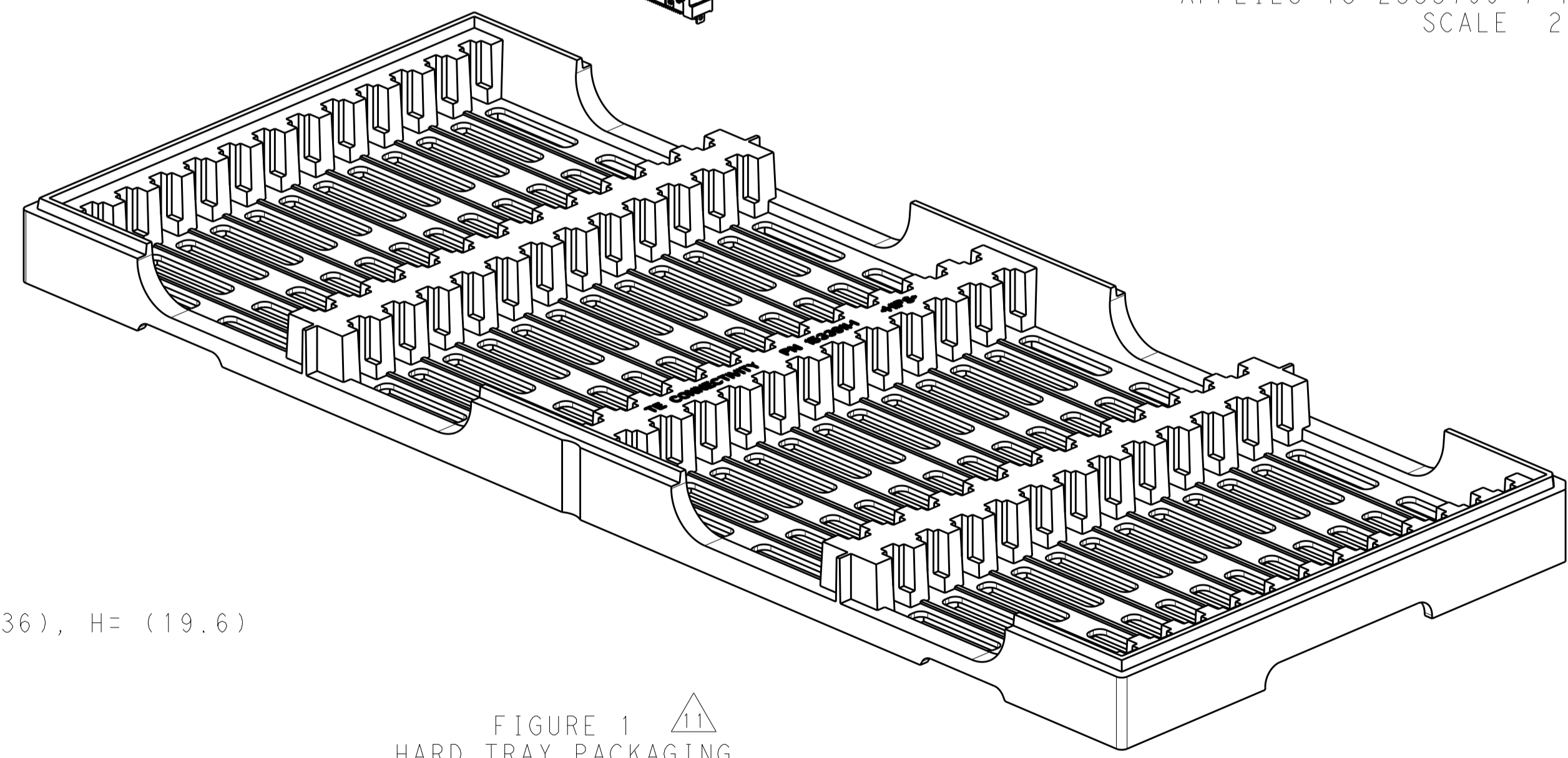
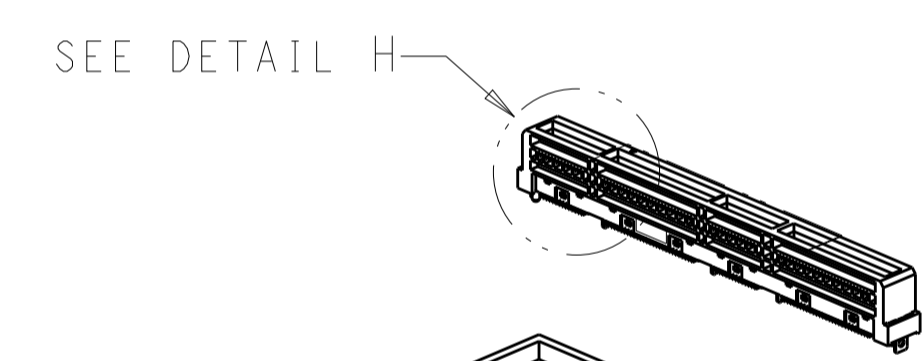
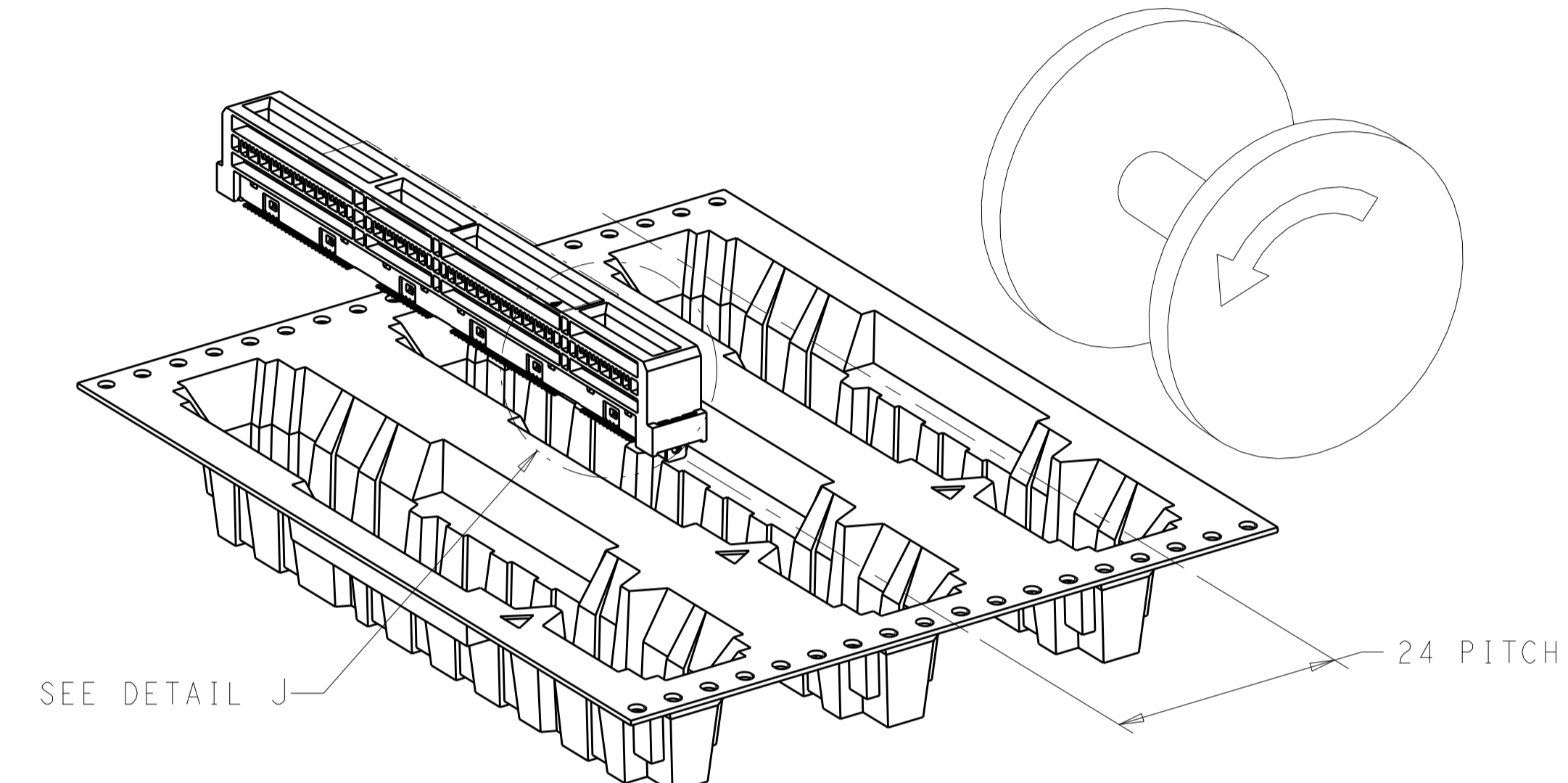
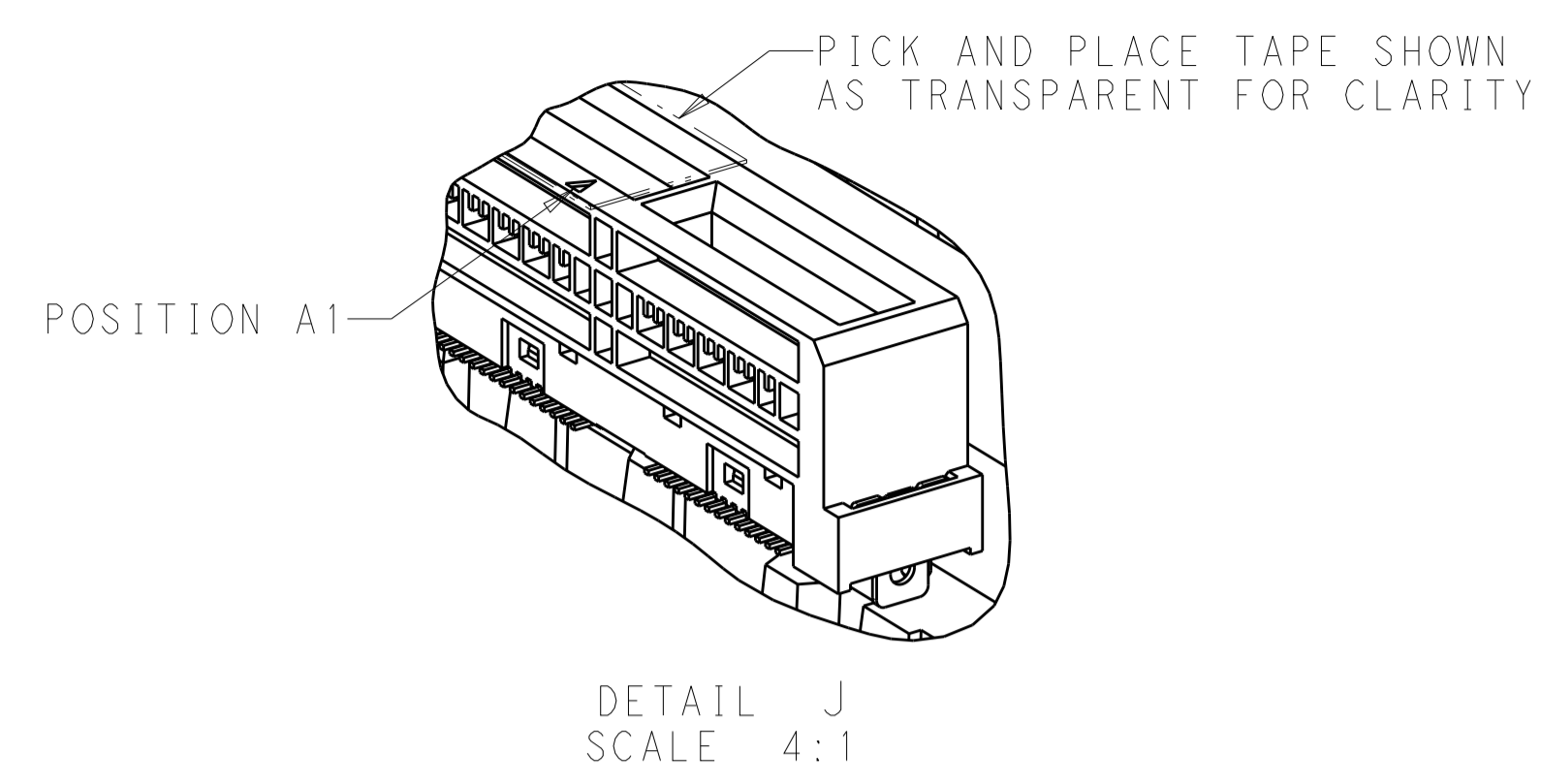
REVISIONS				
P.	LTN.	DESCRIPTION	DATE	APVD.
-	-	SEE SHEET 1	-	-

CONNECTOR CONTACT IDENTIFICATION  


CONTACT NUMBER	SIDE A	SIDE B
1	GROUND	GROUND
2	SIGNAL	SIGNAL
3	SIGNAL	SIGNAL
4	GROUND	GROUND
5	SIGNAL	SIGNAL
6	SIGNAL	SIGNAL
7	GROUND	GROUND
8	SIGNAL	SIGNAL
9	SIGNAL	SIGNAL
10	GROUND	GROUND
11	SIGNAL	SIGNAL
12	SIGNAL	SIGNAL
13	GROUND	GROUND
14	SIGNAL	SIGNAL
15	SIGNAL	SIGNAL
16	GROUND	GROUND
17	SIGNAL	SIGNAL
18	SIGNAL	SIGNAL
19	GROUND	GROUND
20	SIGNAL	SIGNAL
21	SIGNAL	SIGNAL
22	GROUND	GROUND
23	SIGNAL	SIGNAL
24	SIGNAL	SIGNAL
25	GROUND	GROUND
26	SIGNAL	SIGNAL
27	SIGNAL	SIGNAL
28	GROUND	GROUND
29	GROUND	GROUND
30	SIGNAL	SIGNAL
31	SIGNAL	SIGNAL
32	GROUND	GROUND
33	SIGNAL	SIGNAL
34	SIGNAL	SIGNAL
35	GROUND	GROUND


CONTACT NUMBER	SIDE A	SIDE B
36	SIGNAL	SIGNAL
37	SIGNAL	SIGNAL
38	GROUND	GROUND
39	SIGNAL	SIGNAL
40	SIGNAL	SIGNAL
41	GROUND	GROUND
42	GROUND	GROUND
43	GROUND	GROUND
44	SIGNAL	SIGNAL
45	SIGNAL	SIGNAL
46	GROUND	GROUND
47	SIGNAL	SIGNAL
48	SIGNAL	SIGNAL
49	GROUND	GROUND
50	SIGNAL	SIGNAL
51	SIGNAL	SIGNAL
52	GROUND	GROUND
53	SIGNAL	SIGNAL
54	SIGNAL	SIGNAL
55	GROUND	GROUND
56	SIGNAL	SIGNAL
57	SIGNAL	SIGNAL
58	GROUND	GROUND
59	SIGNAL	SIGNAL
60	SIGNAL	SIGNAL
61	GROUND	GROUND
62	SIGNAL	SIGNAL
63	SIGNAL	SIGNAL
64	GROUND	GROUND
65	SIGNAL	SIGNAL
66	SIGNAL	SIGNAL
67	GROUND	GROUND
68	SIGNAL	SIGNAL
69	SIGNAL	SIGNAL
70	GROUND	GROUND

CONTACT NUMBER	SIDE OA	SIDE OB
1	GROUND	GROUND
2	SIGNAL	SIGNAL
3	SIGNAL	SIGNAL
4	GROUND	GROUND
5	SIGNAL	SIGNAL
6	SIGNAL	SIGNAL
7	GROUND	GROUND
8	SIGNAL	SIGNAL
9	SIGNAL	SIGNAL
10	GROUND	GROUND
11	SIGNAL	SIGNAL
12	SIGNAL	SIGNAL
13	GROUND	GROUND
14	GROUND	GROUND



- HARD TRAY PACKAGING-
1. DIMENSIONS:  
TRAY: L= (330), W= (136), H= (19.6)
  2. QUANTITY:  
48 PIECES PER TRAY.

FIGURE 1   
 HARD TRAY PACKAGING  
 APPLIES TO 2333799-1 THRU 2333799-6  
 SCALE 1:1

THIS DRAWING IS A CONTROLLED DOCUMENT.		OWN: M. SHIRK 27MAR2018	 TE Connectivity
DIMENSIONS: mm		CHK: J. WESTMAN 27MAR2018	
TOLERANCES UNLESS OTHERWISE SPECIFIED:		APVD:	NAME: RECEPTACLE ASSEMBLY, VERTICAL, 168 POSITION, SLIVER 2.0
0 PLC ±0.1	1 PLC ±0.1	PRODUCT SPEC: 108-130021	SIZE: CAGE CODE DRAWING NO: A100779C=2333799
2 PLC ±0.1	3 PLC ±0.1	APPLICATION SPEC: 114-130008	RESTRICTED TO: -
4 PLC ±0.1	ANGLES ±°	WEIGHT: -	SCALE: 8:1 SHEET 4 OF 4 REV B
MATERIAL: FINISH:	CUSTOMER DRAWING		

# Mouser Electronics

Authorized Distributor

Click to View Pricing, Inventory, Delivery & Lifecycle Information:

[TE Connectivity:](#)

[2333799-3](#)