

Professionally approved products.

Datasheet

Miniature magnetic base, 40x35x30mm

RS Stock number 387-0155



Description:

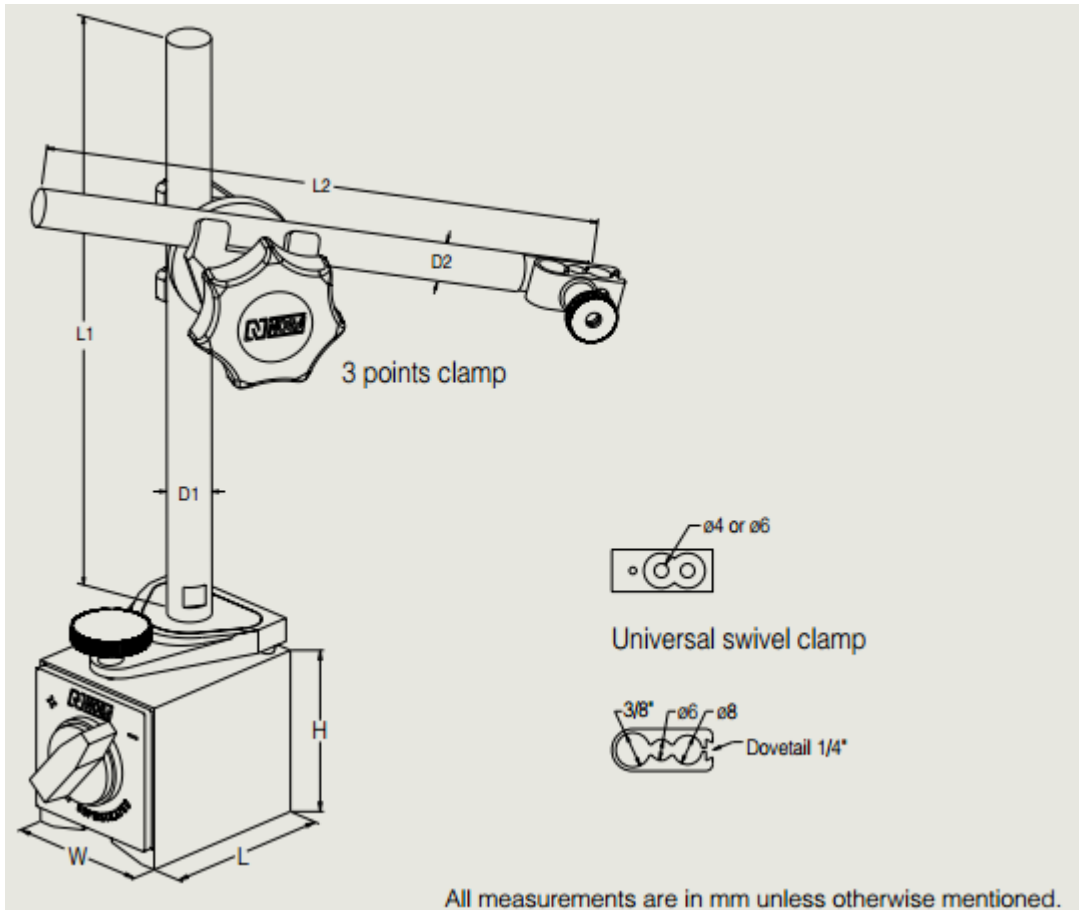
PH holders with NOGA unique fine adjustment at base.

- Single direction fine adjustment at base
- Powerful on/off magnetic base
- Universal swivel clamp for all dial and test indicators
- Holds 6mm, 8mm, 3/8", dovetail and back lug
- Strong arm lock by using 3 points clamp
- Easy to set up gauges into required position
- Black finished arms.
- Weight: 0.500Kg

Professionally approved products.

Datasheet

Miniature magnetic base, 40x35x30mm



Arm length and diameter		Magnet			
Post	Arm	Force	Dimension		
Dia. (D1) x length (L1)	Dia. (D2) x length (L2)	[N]	W	L	H
ø 10 x 120	ø 8 x 110	320	30	40	35