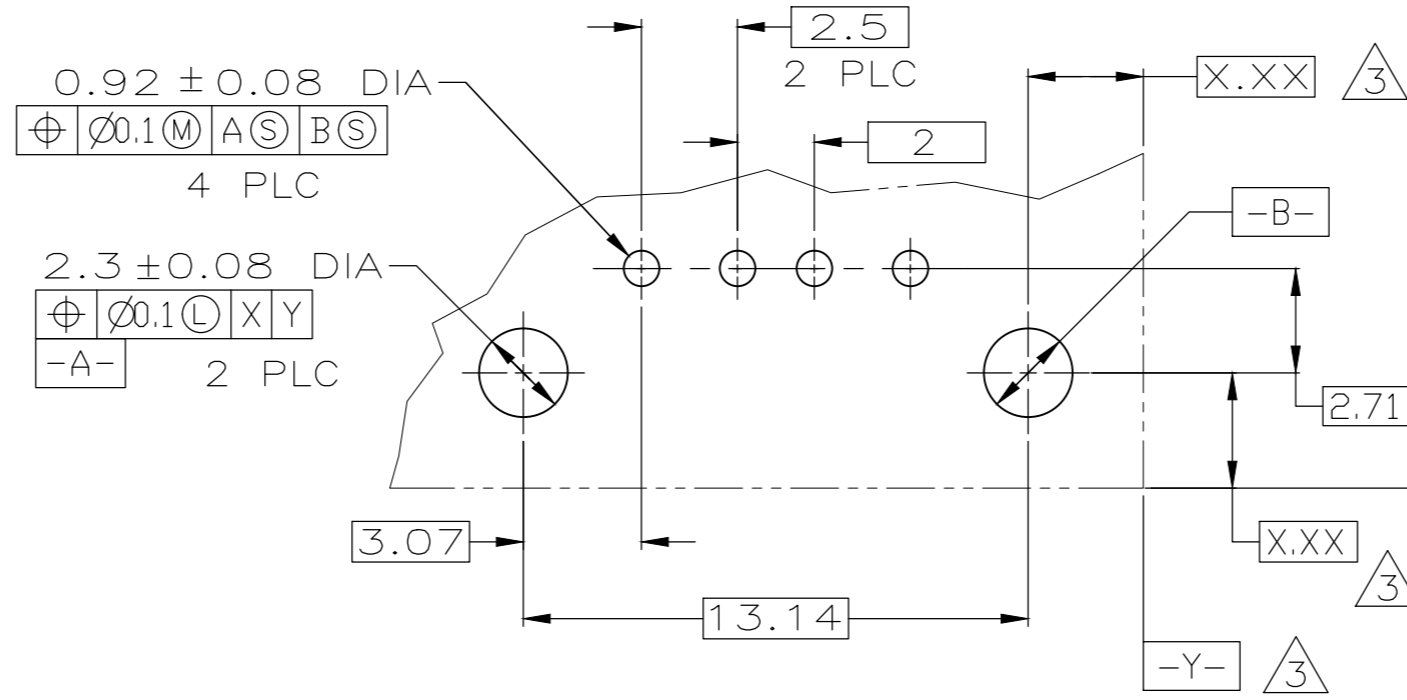
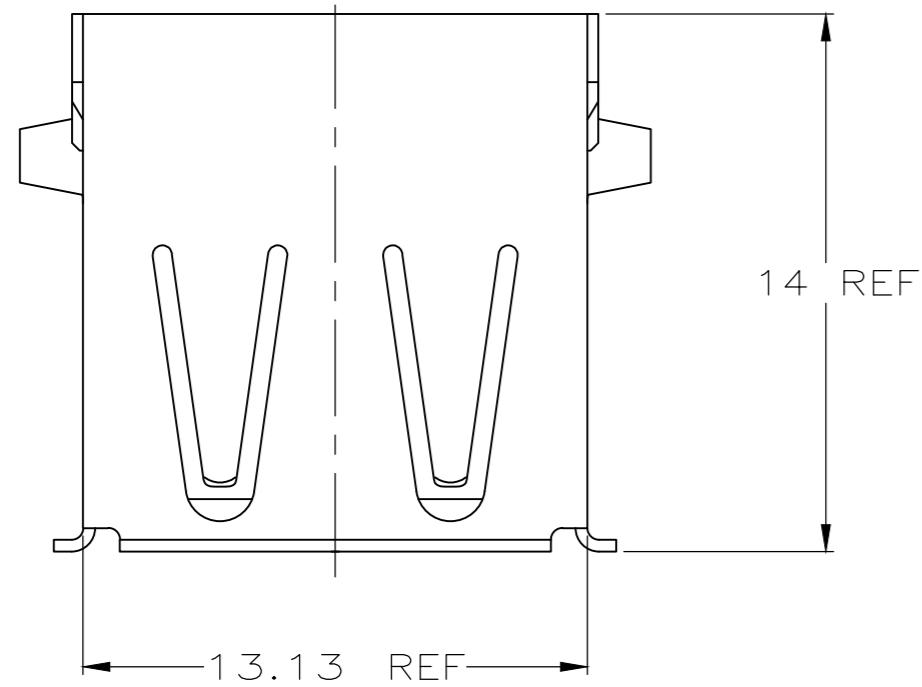
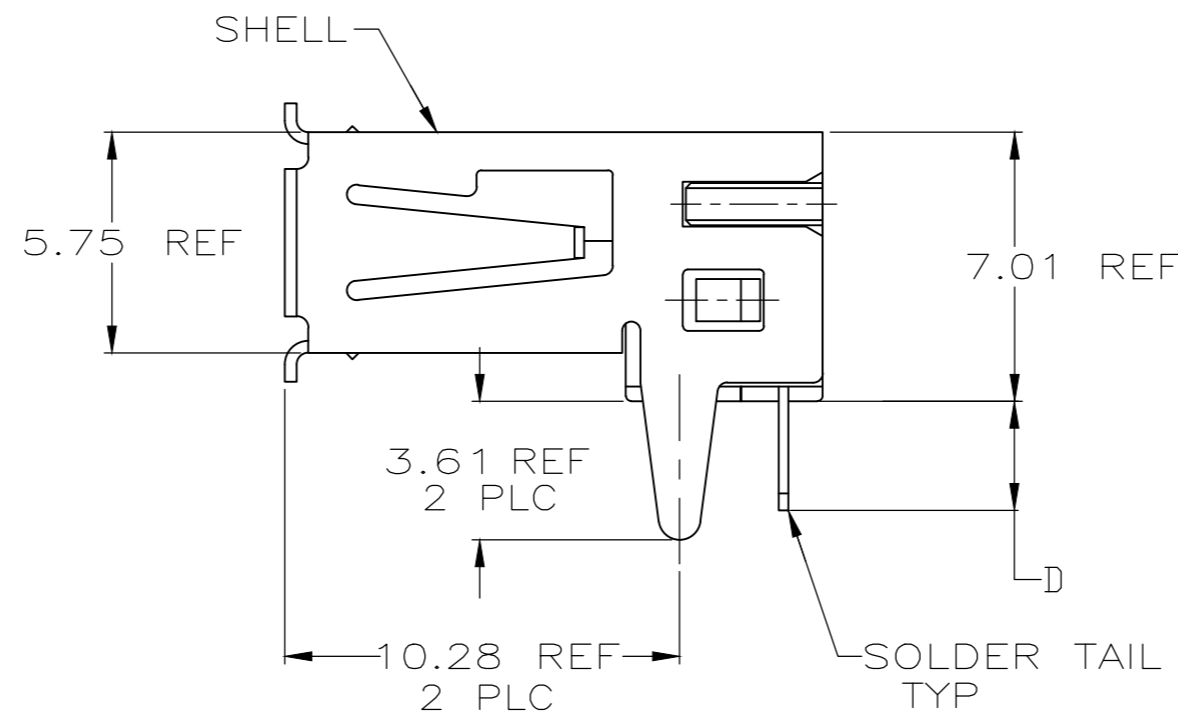
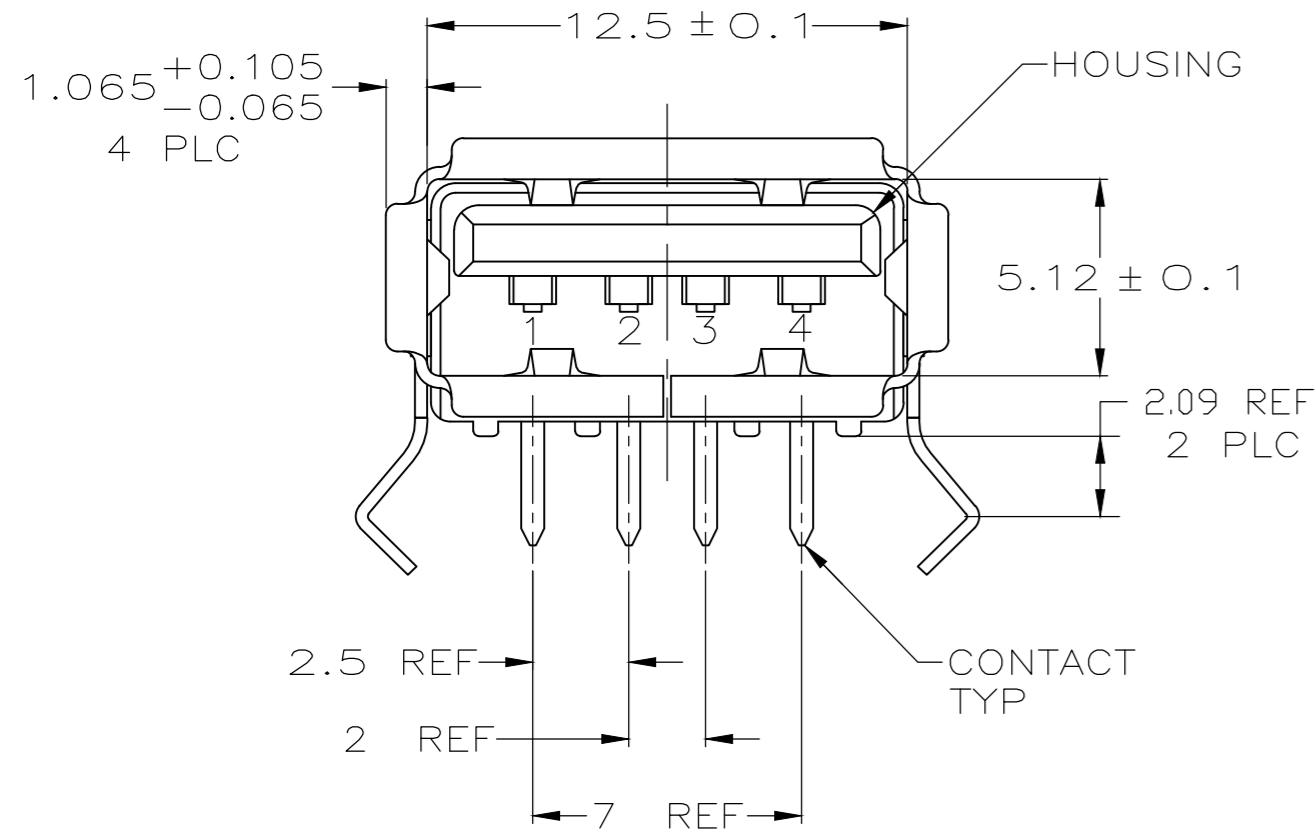


THIS DRAWING IS UNPUBLISHED. RELEASED FOR PUBLICATION  
 © COPYRIGHT - By - ALL RIGHTS RESERVED.

| LOC |     | DIST                      |  | REVISIONS |     |      |  |
|-----|-----|---------------------------|--|-----------|-----|------|--|
| P   | LTR | DESCRIPTION               |  | DATE      | DWN | APVD |  |
| E10 |     | REVISED PER ECR-15-015631 |  | 270TC15   | A.X | H.W  |  |



PC BOARD MOUNTING DIMENSIONS 4



- 1 MATERIAL:  
SHELL & CONTACTS- COPPER ALLOY.  
HOUSING: UL 94V-0 RATED, THERMOPLASTIC, COLOR SEE TABLE.
- 2 PLATING:  
CONTACTS: 0.076µm MINIMUM GOLD OVER 0.76µm MINIMUM PALLADIUM-NICKEL ON MATING AREA.  
3.8µm MINIMUM MATTE TIN ON SOLDER TAILS.  
BOTH OVER 1.27µm MINIMUM NICKEL.  
CONTACT ALTERNATE PLATING: 0.76µm MIN GOLD ON MATING AREA, 3.80µm MIN MATTE TIN ON SOLDER TAILS, BOTH OVER 1.27µm MIN NICKEL.  
SHELL: 2~5µm MINIMUM BRIGHT TIN
- 3 DATUM AND BASIC DIMENSIONS ESTABLISHED BY CUSTOMER.
- 4 RECOMMENDED PC BOARD THICKNESS OF 1.57.
- 5 PLATING:  
CONTACTS: 0.76µm MINIMUM PALLADIUM-NICKEL ON MATING AREA.  
3.8µm MINIMUM MATTE TIN ON SOLDER TAILS.  
BOTH OVER 1.27µm MINIMUM NICKEL.  
SHELL: 2~5µm MINIMUM BRIGHT TIN

|                 |                             |      |               |                 |
|-----------------|-----------------------------|------|---------------|-----------------|
| 5               | YES                         | 2.84 | BLACK         | 2-292303-0 (E9) |
| 2               | YES                         | 2.29 | BLACK         | 1-292303-9 (E8) |
| 2               | NO                          | 3.81 | BLACK         | 1-292303-5      |
| 2               | NO                          | 3.56 | BLACK         | 1-292303-4      |
| 2               | NO                          | 3.20 | BLACK         | 1-292303-3      |
| 2               | YES                         | 3.30 | BLACK         | 1-292303-2      |
| 2               | YES                         | 2.29 | BLACK         | 292303-6        |
| 2               | YES                         | 2.84 | NATURAL       | 292303-5        |
| 2               | YES                         | 2.84 | BLACK         | 292303-4        |
| 2               | NO                          | 2.84 | NATURAL       | 292303-3        |
| 2               | NO                          | 2.29 | BLACK         | 292303-2        |
| 2               | NO                          | 2.84 | BLACK         | 292303-1        |
| CONTACT PLATING | HIGH TEMPERATURE COMPATIBLE | D    | HOUSING COLOR | PART NUMBER     |

THIS DRAWING IS A CONTROLLED DOCUMENT.

|                  |           |         |
|------------------|-----------|---------|
| DWN              | J.JIANG   | 19FEB04 |
| CHK              | S.YAO     | 19FEB04 |
| APVD             | T.SASAKI  | 19FEB04 |
| PRODUCT SPEC     | 108-60034 |         |
| APPLICATION SPEC |           |         |

TE Connectivity

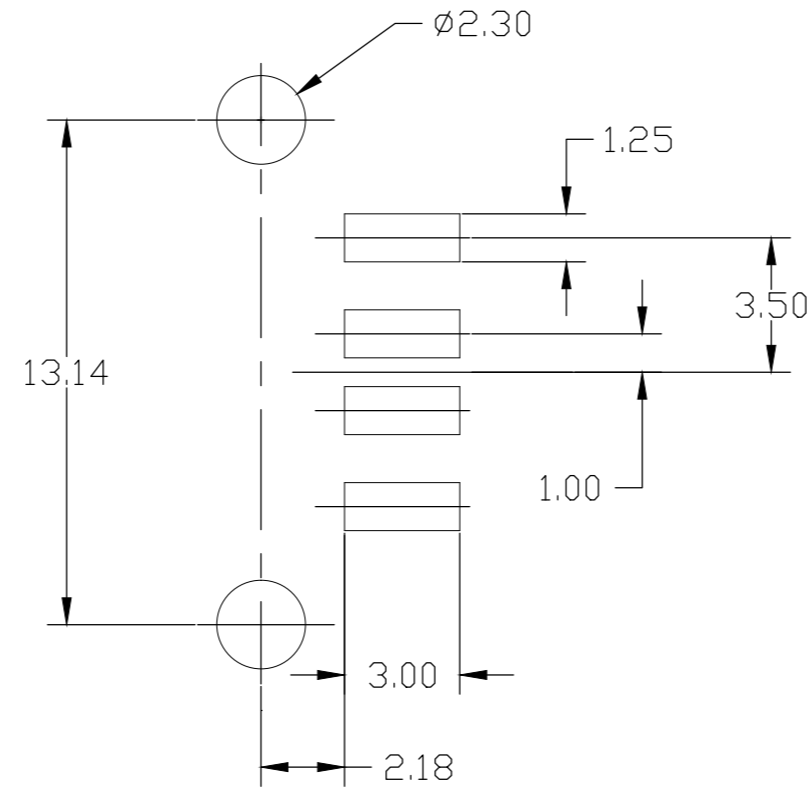
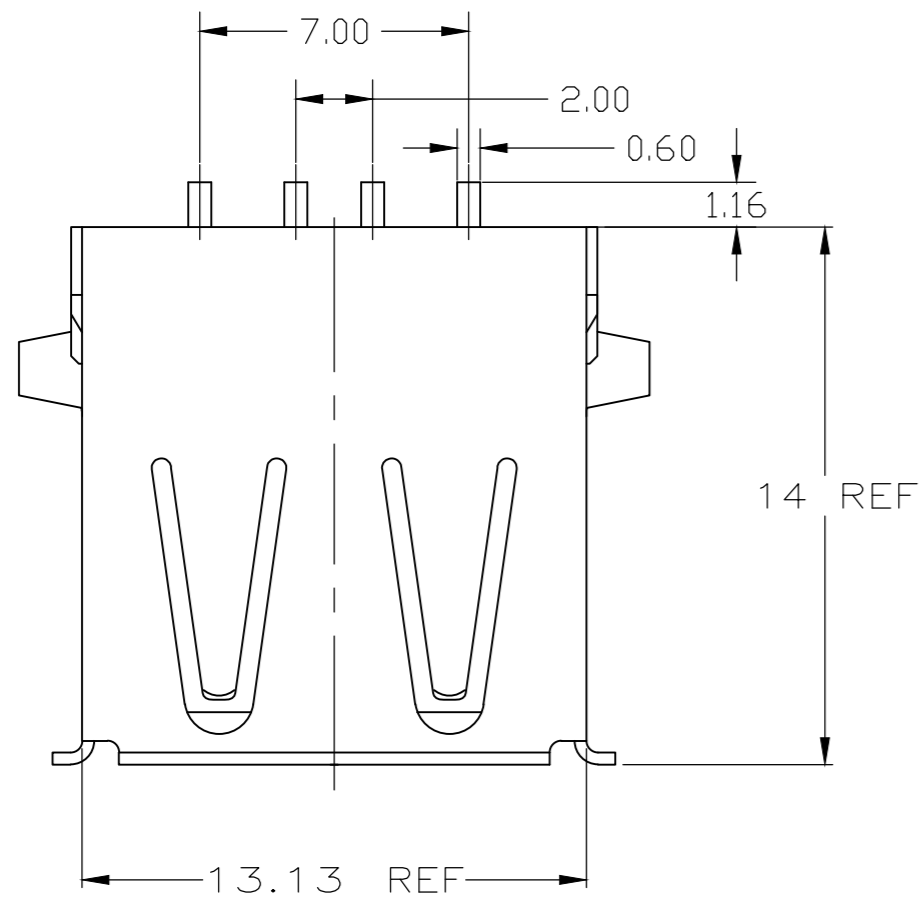
RECEPTACLE ASSEMBLY RIGHT  
 ANGLE, 4 POSITION, T/H & SMT  
 USB, LEAD FREE VERSION

|       |     |           |        |            |          |               |  |
|-------|-----|-----------|--------|------------|----------|---------------|--|
| SIZE  | A2  | CAGE CODE | 00779  | DRAWING NO | C=292303 | RESTRICTED TO |  |
| SCALE | 5:1 | SHEET     | 1 of 4 | REV        | E10      |               |  |

CUSTOMER DRAWING

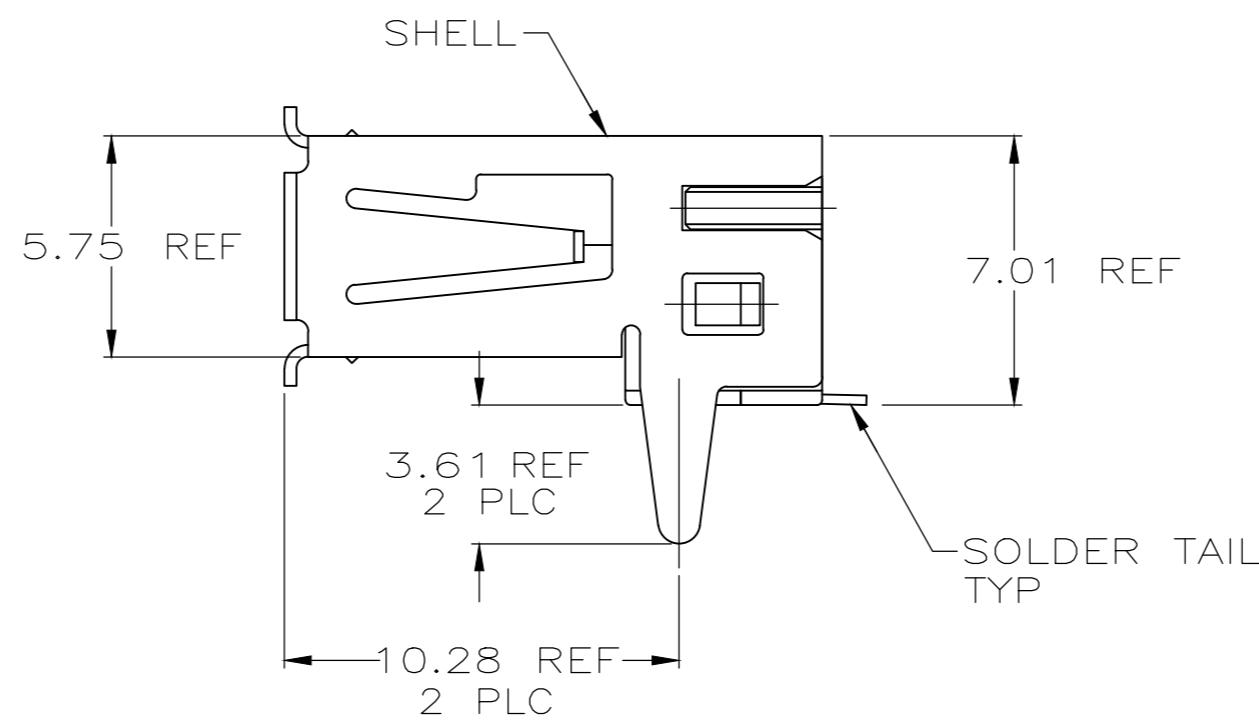
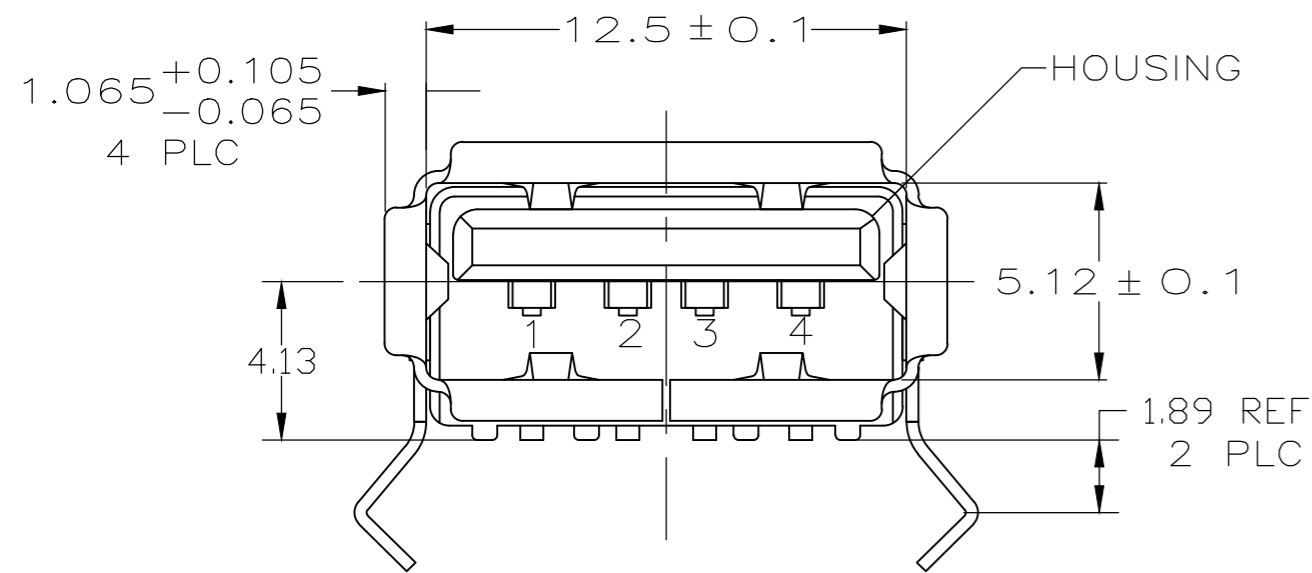
THIS DRAWING IS UNPUBLISHED. RELEASED FOR PUBLICATION  
 © COPYRIGHT - By - ALL RIGHTS RESERVED.

| LOC | DIST | REVISIONS |     |             |      |     |      |
|-----|------|-----------|-----|-------------|------|-----|------|
| ES  | 00   | P         | LTR | DESCRIPTION | DATE | DWN | APVD |
|     |      | -         | -   | SEE SHEET 1 | -    | -   | -    |



- ⚠ MATERIAL:  
SHELL & CONTACTS- COPPER ALLOY.  
HOUSING: UL 94V-0 RATED, THERMOPLASTIC, COLOR SEE TABLE.
- ⚠ PLATING:  
CONTACTS: 0.076 μm MINIMUM GOLD OVER 0.76 μm MINIMUM PALLADIUM-NICKEL ON MATING AREA.  
3.8 μm MINIMUM MATTE TIN ON SOLDER TAILS.  
BOTH OVER 1.27 μm MINIMUM NICKEL.  
CONTACT ALTERNATE PLATING: 0.76μm MIN GOLD ON MATING AREA, 3.80 μm MIN MATTE TIN ON SOLDER TAILS, BOTH OVER 1.27 μm MIN NICKEL.  
SHELL: 2~5 μm MINIMUM BRIGHT TIN
- ⚠ RECOMMENDED PC BOARD THICKNESS OF 1.42.

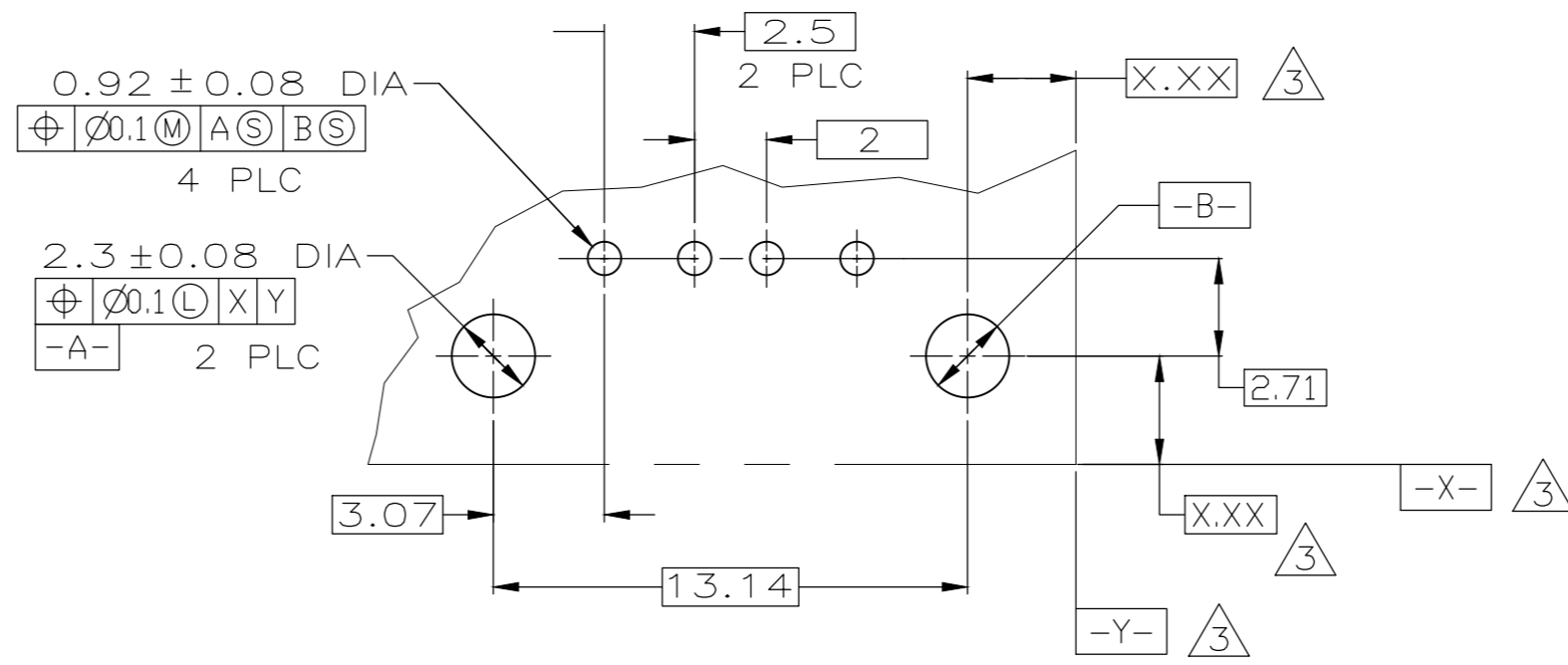
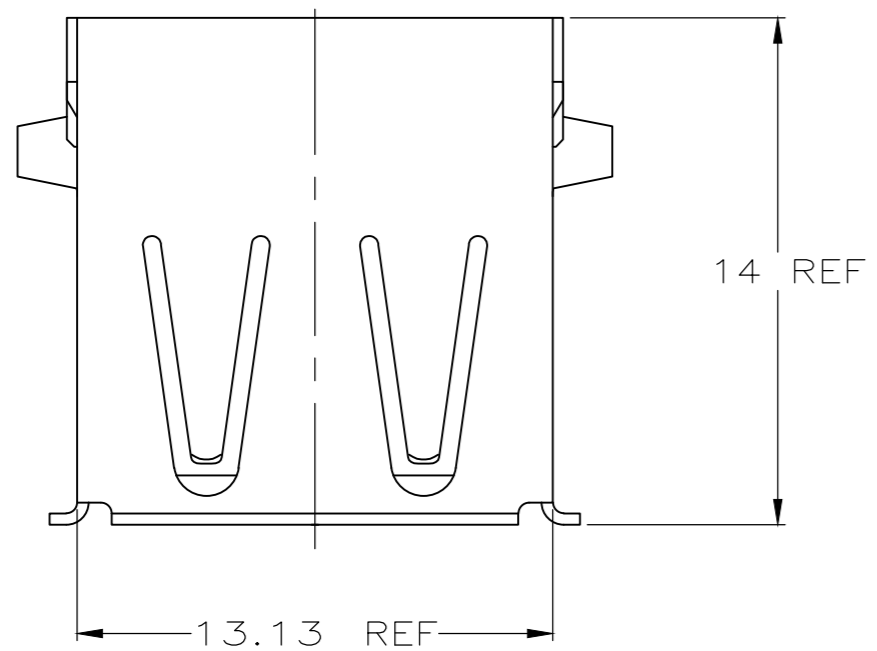
RECOMMENDED PC BOARD MOUNTING LAYOUT ⚠  
 (TOLERANCE=±0.05)



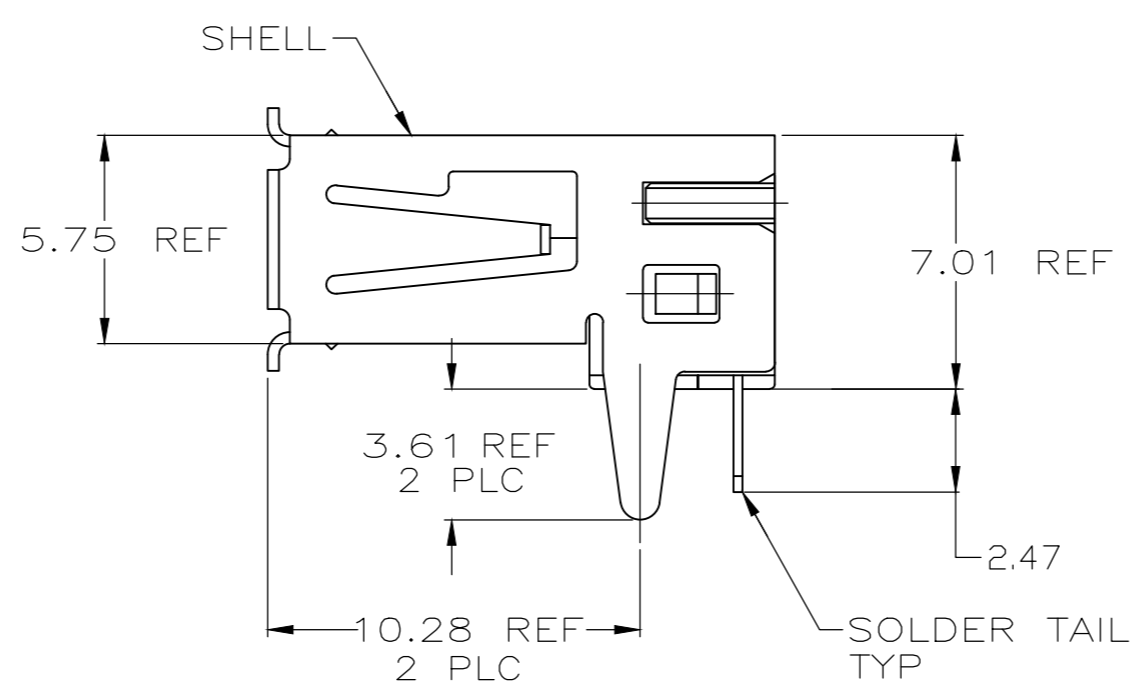
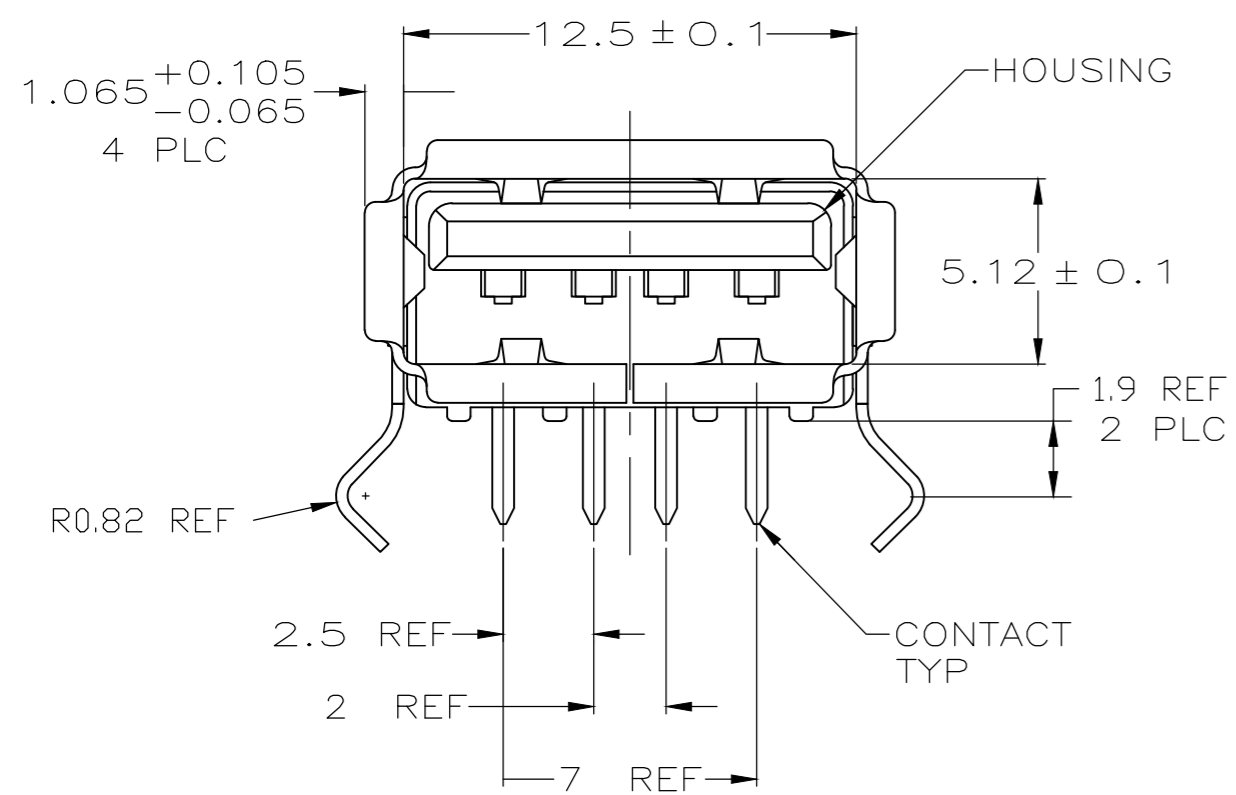
|                             |               |                |
|-----------------------------|---------------|----------------|
| YES                         | BLACK         | 3-292303-1 E10 |
| YES                         | BLACK         | 1-292303-1     |
| YES                         | NATURAL       | 292303-7       |
| HIGH TEMPERATURE COMPATIBLE | HOUSING COLOR | PART NUMBER    |

|  |  |                       |                              |               |
|--|--|-----------------------|------------------------------|---------------|
| THIS DRAWING IS A CONTROLLED DOCUMENT. |  | DWN J.JIANG 19FEB04   | <b>STE</b> TE Connectivity   |               |
| DIMENSIONS: mm                         |  | CHK S.YAO 19FEB04     |                              |               |
| TOLERANCES UNLESS OTHERWISE SPECIFIED: |  | APVD T.SASAKI 19FEB04 | NAME                         |               |
| 0 PLC ± -                              |  | PRODUCT SPEC          | RECEPTACLE ASSEMBLY RIGHT    |               |
| 1 PLC ± -                              |  | APPLICATION SPEC      | ANGLE, 4 POSITION, T/H & SMT |               |
| 2 PLC ± 0.25                           |  | 108-60034             | USB, LEAD FREE VERSION       |               |
| 3 PLC ± -                              |  |                       | SIZE                         | CAGE CODE     |
| 4 PLC ± -                              |  |                       | A2                           | 00779         |
| ANGLES ± -                             |  |                       | SCALE                        | DRAWING NO    |
| FINISH                                 |  |                       | 5:1                          | C=292303      |
| MATERIAL                               |  | WEIGHT                | SHEET                        | RESTRICTED TO |
| ⚠                                      |  | -                     | 2 of 4                       | -             |
| ⚠                                      |  | CUSTOMER DRAWING      | REV                          | E10           |

| LOC | DIST | REVISIONS   |      |     |      |
|-----|------|-------------|------|-----|------|
| P   | LTR  | DESCRIPTION | DATE | DWN | APVD |
| ES  | 00   | SEE SHEET 1 | -    | -   | -    |



PC BOARD MOUNTING DIMENSIONS  $\Delta 4$



- $\Delta 1$  MATERIAL:  
SHELL & CONTACTS- COPPER ALLOY.  
HOUSING: UL 94V-0 RATED, THERMOPLASTIC, COLOR SEE TABLE.
- $\Delta 2$  PLATING:  
CONTACTS: 0.076  $\mu\text{m}$  MINIMUM GOLD OVER 0.76  $\mu\text{m}$  MINIMUM PALLADIUM-NICKEL ON MATING AREA.  
3.8  $\mu\text{m}$  MINIMUM MATTE TIN ON SOLDER TAILS.  
BOTH OVER 1.27  $\mu\text{m}$  MINIMUM NICKEL.  
CONTACT ALTERNATE PLATING: 0.76  $\mu\text{m}$  MIN GOLD ON MATING AREA, 3.80  $\mu\text{m}$  MIN MATTE TIN ON SOLDER TAILS, BOTH OVER 1.27  $\mu\text{m}$  MIN NICKEL.  
SHELL: 2~5  $\mu\text{m}$  MINIMUM BRIGHT TIN
- $\Delta 3$  DATUM AND BASIC DIMENSIONS ESTABLISHED BY CUSTOMER.
- $\Delta 4$  RECOMMENDED PC BOARD THICKNESS OF 1.2.

|                             |               |             |
|-----------------------------|---------------|-------------|
| NO                          | NATURAL       | 292303-8    |
| HIGH TEMPERATURE COMPATIBLE | HOUSING COLOR | PART NUMBER |

|  |        |                                  |                 |                    |                        |               |
|--|--------|----------------------------------|-----------------|--------------------|------------------------|---------------|
| THIS DRAWING IS A CONTROLLED DOCUMENT.   |        | DWN<br>J.JIANG<br>19FEB04        | TE Connectivity |                    |                        |               |
| DIMENSIONS: mm   |        | CHK<br>S.YAO<br>19FEB04          |                 |                    |                        |               |
| TOLERANCES UNLESS OTHERWISE SPECIFIED:   |        | APVD<br>T.SASAKI<br>19FEB04      |                 |                    |                        |               |
| 0 PLC $\pm$ -<br>1 PLC $\pm$ -<br>2 PLC $\pm$ 0.25<br>3 PLC $\pm$ -<br>4 PLC $\pm$ -<br>ANGLES $\pm$ - |        | NAME<br>108-60034                |                 |                    |                        |               |
| MATERIAL   | FINISH | PRODUCT SPEC<br>APPLICATION SPEC | SIZE<br>A2      | CAGE CODE<br>00779 | DRAWING NO<br>C-292303 | RESTRICTED TO |
| CUSTOMER DRAWING   |        | WEIGHT                           | SCALE 5:1       |                    | SHEET 3 of 4           | REV E10       |

292303

A

4

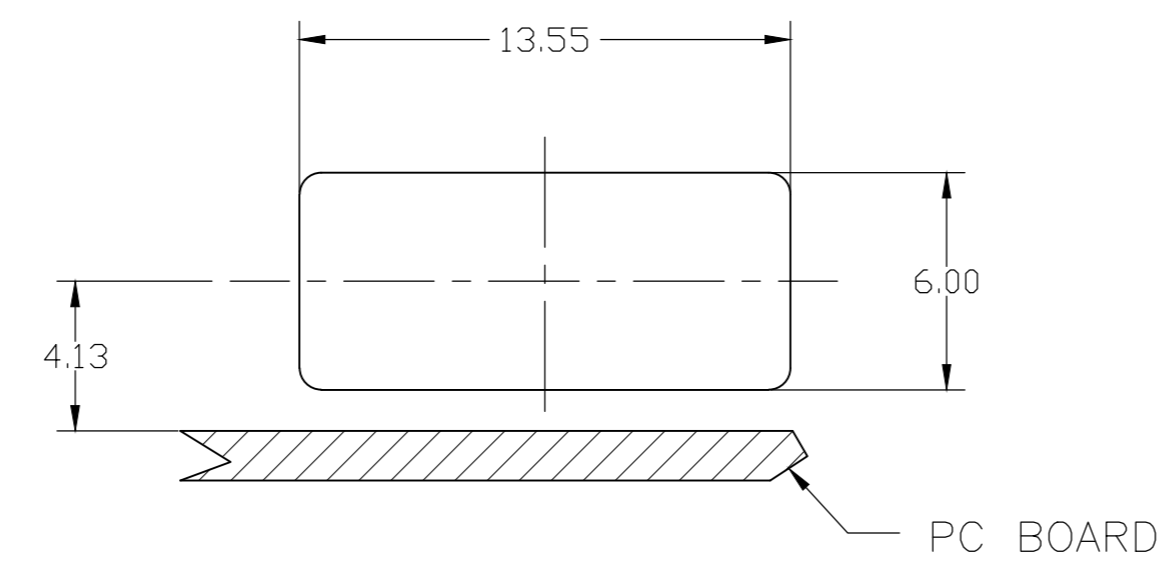
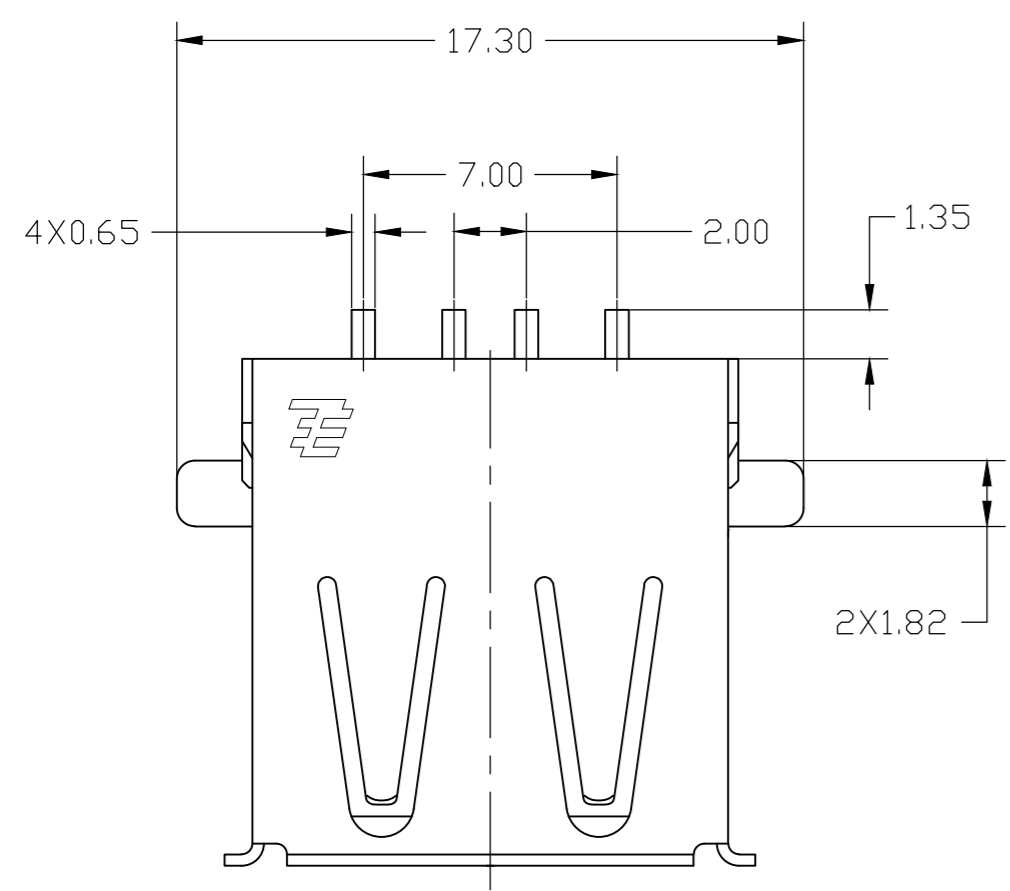
3

2

1

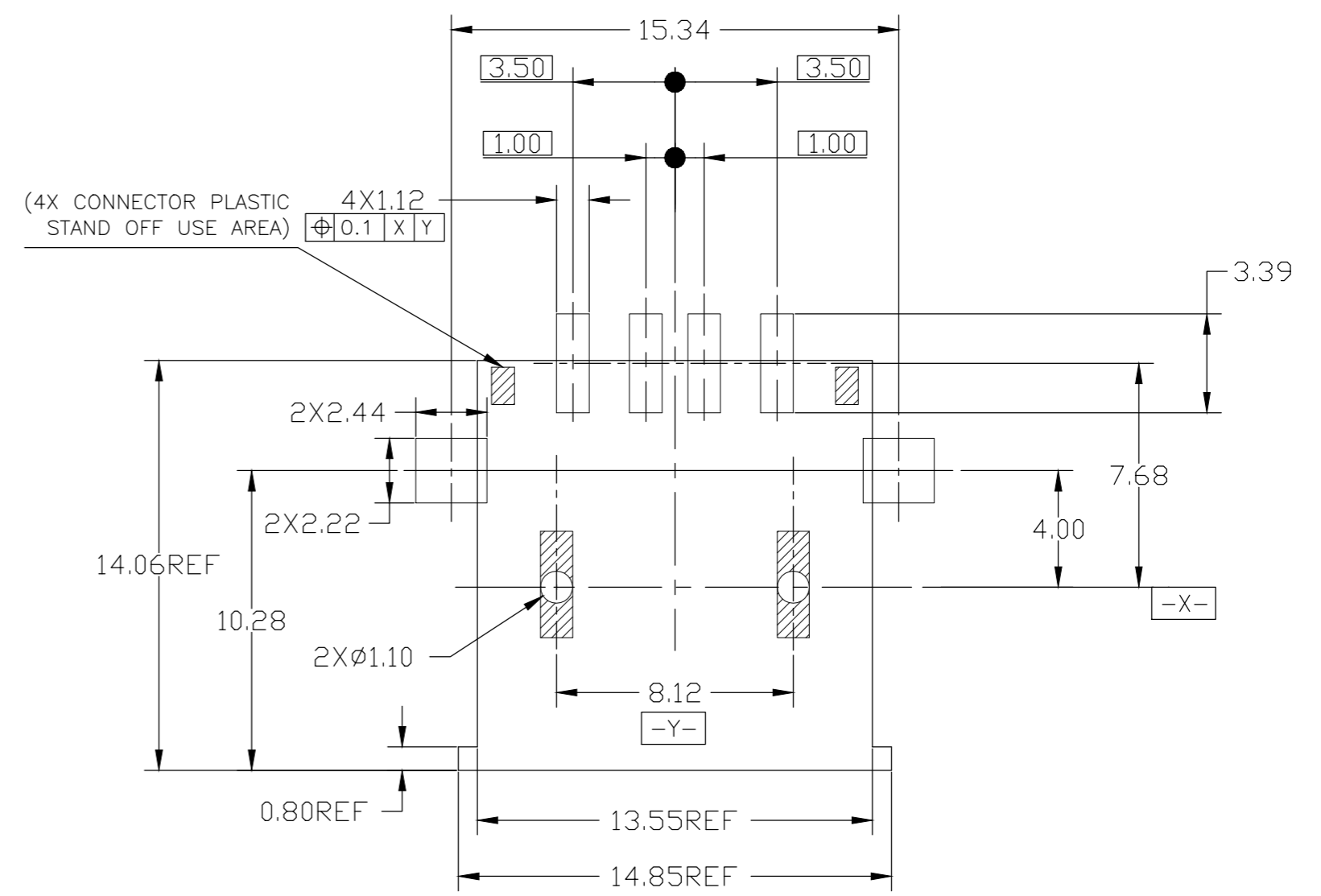
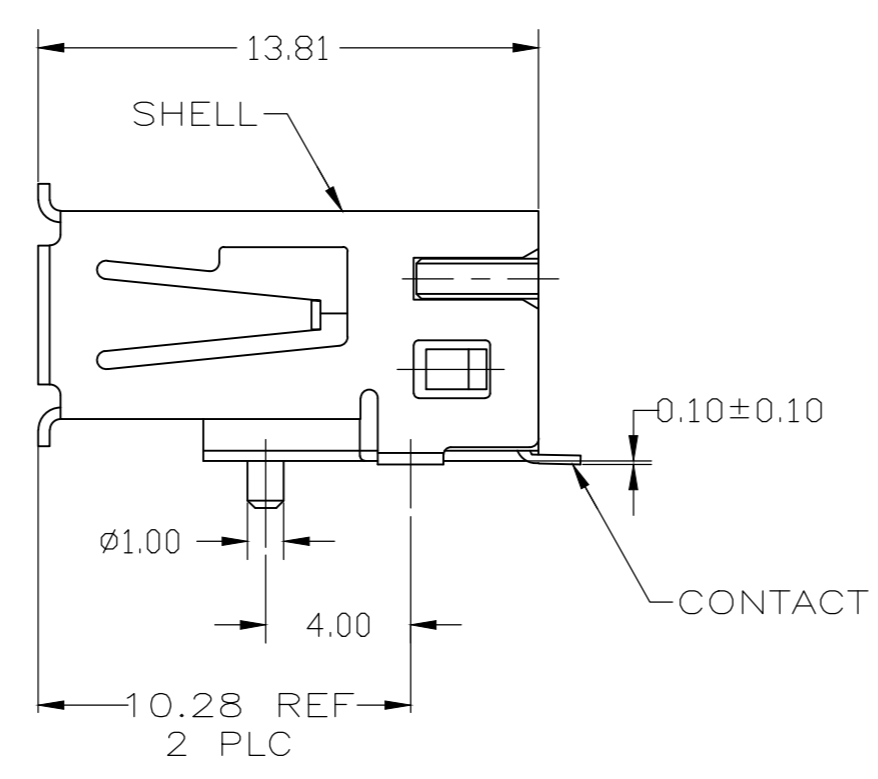
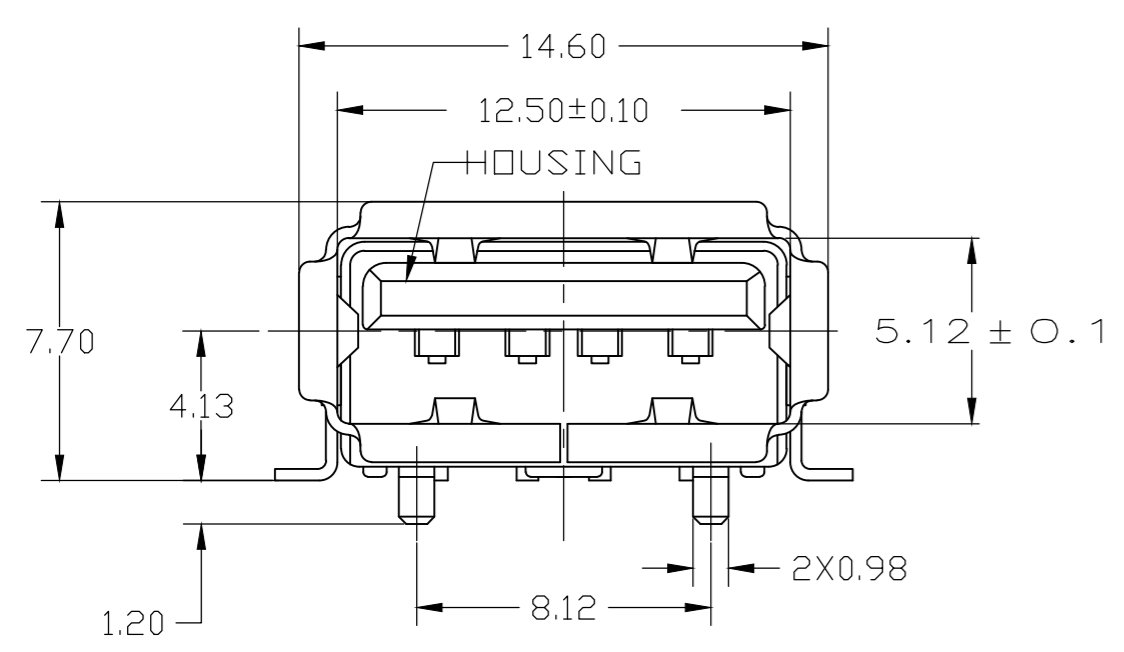
THIS DRAWING IS UNPUBLISHED. RELEASED FOR PUBLICATION  
 © COPYRIGHT - By - ALL RIGHTS RESERVED.

| LOC |     | DIST        |      | REVISIONS |      |  |  |
|-----|-----|-------------|------|-----------|------|--|--|
| P   | LTR | DESCRIPTION | DATE | DWN       | APVD |  |  |
| ES  | 00  | SEE SHEET 1 | -    | -         | -    |  |  |



RECOMMENDED MOUNTING PANEL CUTOUT

- ⚠ MATERIAL:  
SHELL & CONTACTS- COPPER ALLOY.  
HOUSING: UL 94V-0 RATED, THERMOPLASTIC, COLOR SEE TABLE.
- ⚠ PLATING:  
CONTACTS: 0.076 μm MINIMUM GOLD OVER 0.76 μm MINIMUM PALLADIUM-NICKEL ON MATING AREA.  
3.8 μm MINIMUM MATTE TIN ON SOLDER TAILS.  
BOTH OVER 1.27 μm MINIMUM NICKEL.  
CONTACT ALTERNATE PLATING: 0.76 μm MIN GOLD ON MATING AREA, 3.80 μm MIN MATTE TIN ON SOLDER TAILS, BOTH OVER 1.27 μm MIN NICKEL.  
SHELL: 2~5 μm MINIMUM BRIGHT TIN
- ⚠ PANEL IS NEEDED FOR CUSTOMER.
- ⚠ THIS P/N IS PRELIMINARY.



RECOMMENDED PC BOARD MOUNTING LAYOUT (TOLERANCE=±0.05)

|                             |               |              |
|-----------------------------|---------------|--------------|
| YES                         | BLACK         | 1-292303-6 ⚠ |
| YES                         | NATURAL       | 292303-9     |
| HIGH TEMPERATURE COMPATIBLE | HOUSING COLOR | PART NUMBER  |

|   |        |                             |   |                                |     |       |        |       |     |       |     |        |     |                           |            |  |
|---|--------|-----------------------------|---|--------------------------------|-----|-------|--------|-------|-----|-------|-----|--------|-----|---------------------------|------------|--|
| THIS DRAWING IS A CONTROLLED DOCUMENT.  |        | DWN<br>J.JIANG<br>19FEB04   | <b>STE</b> TE Connectivity  |                                |     |       |        |       |     |       |     |        |     |                           |            |  |
| DIMENSIONS: mm  |        | CHK<br>S.YAO<br>19FEB04     |   |                                |     |       |        |       |     |       |     |        |     |                           |            |  |
| TOLERANCES UNLESS OTHERWISE SPECIFIED:  |        | APVD<br>T.SASAKI<br>19FEB04 | NAME<br>RECEPTACLE ASSEMBLY RIGHT<br>ANGLE, 4 POSITION, T/H & SMT<br>USB, LEAD FREE VERSION |                                |     |       |        |       |     |       |     |        |     |                           |            |  |
| <table border="1"> <tr> <td>0 PLC</td><td>± -</td></tr> <tr> <td>1 PLC</td><td>± -</td></tr> <tr> <td>2 PLC</td><td>± 0.25</td></tr> <tr> <td>3 PLC</td><td>± -</td></tr> <tr> <td>4 PLC</td><td>± -</td></tr> <tr> <td>ANGLES</td><td>± -</td></tr> </table> |        | 0 PLC                       | ± -   | 1 PLC                          | ± - | 2 PLC | ± 0.25 | 3 PLC | ± - | 4 PLC | ± - | ANGLES | ± - | PRODUCT SPEC<br>108-60034 | SIZE<br>A2 |  |
| 0 PLC   | ± -    |                             |   |                                |     |       |        |       |     |       |     |        |     |                           |            |  |
| 1 PLC   | ± -    |                             |   |                                |     |       |        |       |     |       |     |        |     |                           |            |  |
| 2 PLC   | ± 0.25 |                             |   |                                |     |       |        |       |     |       |     |        |     |                           |            |  |
| 3 PLC   | ± -    |                             |   |                                |     |       |        |       |     |       |     |        |     |                           |            |  |
| 4 PLC   | ± -    |                             |   |                                |     |       |        |       |     |       |     |        |     |                           |            |  |
| ANGLES  | ± -    |                             |   |                                |     |       |        |       |     |       |     |        |     |                           |            |  |
| MATERIAL ⚠  |        | FINISH ⚠                    | WEIGHT -  | CAGE CODE<br>00779             |     |       |        |       |     |       |     |        |     |                           |            |  |
|   |        |                             | DRAWING NO<br>C-292303  | RESTRICTED TO<br>-             |     |       |        |       |     |       |     |        |     |                           |            |  |
|   |        |                             | CUSTOMER DRAWING  | SCALE 5:1 SHEET 4 OF 4 REV E10 |     |       |        |       |     |       |     |        |     |                           |            |  |

292303