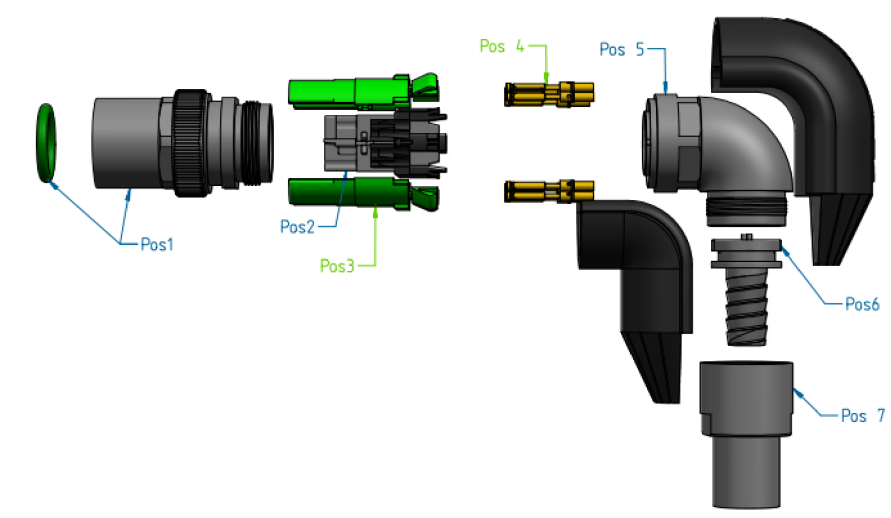
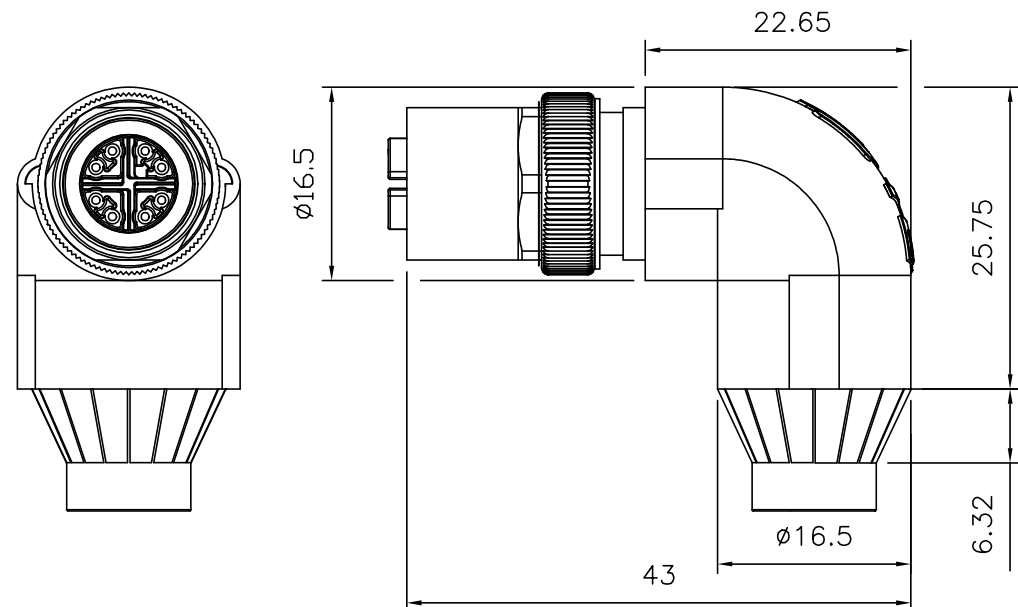


THIS DRAWING IS UNPUBLISHED.		RELEASED FOR PUBLICATION	
© COPYRIGHT - TE Connectivity Ltd.		ALL RIGHTS RESERVED.	
PROJECT	PRJ-14-000004825		
PART NO	2350797-X		
HV DESC	M12, 90 BUSH, X8/8 H+S 84124806		
CUSTOMER	GENERAL MARKET		

REVISIONS				
P	LTR	DESCRIPTION	DATE	APVD
A		INITIAL RELEASE	16APR2019	GK SE



SHOWN: FEMALE CONNECTOR WITH COVER

Cable preparation	Recommended Contact crimping tools	Recommended jacket crimping tools	Crimp Flange insertion

TE PN	Description	Coding	Number of positions	Gender	Number of contacts included	Connector type	Applicable on cable	Manufacturer PN	Category	Color	Conductor size	Conductor stripping	Jacket cutting	Hand tool	Contact positioner	Crimp Selection number*	Crimp tool	Crimp Die	Handle	Insert for handle	Connector assembly tool
2350797-1	M12 X-F-8,90,CRIMP,CAT7,H&S 84124806	X	8	Female	8	Right Angle	Radox 8.2mm	H&S 84124806	Cat 7	Black	8 x AWG24	734185-1	2119000-1	601966-1	1-2823582-8	5	1-2823557-1	1-2823558-6	1-2823560-1	1-2823561-1	1-2823564-1
2350797-2	M12 X-F-8,90,CRIMP,CAT7,TE 2297799-1					Right Angle	TE Cat 7 cable TECC0011C7	TE 2297799-1	Cat 7	Blue	8 x AWG24										1-2823558-5

*TOOL SETTING MUST BE VALIDATED ON CABLE USED

Pos.	DESCRIPTION	MATERIAL	QTY	UNIT
9	BAG 60x100 mm		1	PC
8	BOOT	THERMO PLASTIC	1+1	PC
7	BACKNUT & CRIMP SLEEVE	BRASS, NICKEL PLATED	1	PC
6	CRIMP INSERT	BRASS, NICKEL PLATED	1	PC
5	90° KNEE	ZINC	1	PC
4	CRIMP CONTACT	BRASS, Au PLATED	8	PC
3	CONTACT HOLDER	THERMO PLASTIC	3+1	PC
2	CONTACT CARRIER	THERMO PLASTIC	1	PC
1	FRONT HOUSING	BRASS, NICKEL PLATED	1+1	PC



ISO VIEW M12 X-8 FEMALE CONNECTOR

- NOTES:
- ALL DIMENSIONS ARE FOR NOMINAL REFERENCE ONLY.
 - PACKAGING: 1 PIECE IN A BOX, CONTACTS INCLUDED.
 - THE CONNECTOR IS AS PER IEC 61076-2-109.
 - TEMPERATURE RANGE: WITH CABLE BOOT -40°C TO +70°C. WITHOUT CABLE BOOT -40°C TO +85°C.
 - VIBRATION & SHOCK TEST CONDUCTED AS PER IEC 61373:61373 CAT 1 CLASS B & CAT 2.
 - FIRE PERFORMANCE CONDUCTED AS PER EN45545-2 HL3 R22/R23, NFF16-101 AND NFF16-102.
 - SPECIAL CRIMP FLANGE SYSTEM WITH CRIMP INSERT AND CRIMP SLEEVE SECURES THE EFFECTIVE SHIELDING OVER THE LIFETIME WITH EXTREMELY HARD CONDITIONS.
 - VIBRATION AND TORSION-PROOF CABLE STRAIN RELIEF FOR ROUGH ENVIRONMENT ACHIEVED BY HEXAGONAL CRIMP OF THE CRIMP SLEEVE OF THE CRIMP FLANGE SYSTEM.
 - DEGREE OF PROTECTION: IP 67 (ONLY SCREW-LOCKED).
 - DATA TRANSMISSION RATE: UP TO 10Gbit/SEC ACC. TO IEC 802.3an CATEGORY 6A.
 - CURRENT RATING: 0.5A, NOMINAL VOLTAGE: 48V, CONTACT RESISTANCE: ≤ 5 mΩ, INSULATION RESISTANCE: ≥ 100 mΩ.
 - DURABILITY: ≥ 250 MATING CYCLES

THIS DRAWING IS A CONTROLLED DOCUMENT.		DWN	16APR2019	TE Connectivity Ltd.	
		CHK	16APR2019		
		S EGBERT		NAME M12, X-CODED RAIL FEMALE 8 CRIMP CONNECTORS	
		APVD			
		S EGBERT		SIZE A3 00779 C=2350797	
		PRODUCT SPEC			
		APPLICATION SPEC		RESTRICTED TO -	
		WEIGHT			
MATERIAL		FINISH		CUSTOMER DRAWING	
				SCALE	SHEET 1 OF 1
				REV A	