

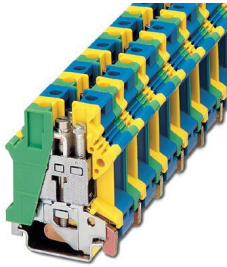
UK 16 N-PE/N - Installation ground terminal block



3006179

<https://www.phoenixcontact.com/us/products/3006179>

Please be informed that the data shown in this PDF document is generated from our online catalog. Please find the complete data in the user documentation. Our general terms of use for downloads are valid.



Installation ground terminal block, PE/N block, consisting of a green-yellow ground terminal and a blue terminal block with screw bridge, nom. voltage: 690 V, nominal current: 101 A, number of connections: 2, connection method: Screw connection, cross section: 2.5 mm² - 25 mm², mounting: PE foot with mounting screw, M4, mounting type: NS 35/7,5, NS 35/15, NS 32, color: green-yellow-blue

Commercial data

| | |
|--------------------------------------|--------------------|
| Item number | 3006179 |
| Packing unit | 10 pc |
| Minimum order quantity | 10 pc |
| Sales key | BE12 |
| Product key | BE1221 |
| Catalog page | Page 229 (CL-2005) |
| GTIN | 4017918091392 |
| Weight per piece (including packing) | 69.31 g |
| Weight per piece (excluding packing) | 65.665 g |
| Customs tariff number | 85369010 |
| Country of origin | DE |

UK 16 N-PE/N - Installation ground terminal block



3006179

<https://www.phoenixcontact.com/us/products/3006179>

Technical data

Product properties

| | |
|-----------------------|-----------------------|
| Product type | Ground terminal block |
| Number of connections | 2 |
| Number of rows | 1 |

Insulation characteristics

| | |
|----------------------|-----|
| Overvoltage category | III |
| Degree of pollution | 3 |

Electrical properties

| | |
|---|------|
| Rated surge voltage | 8 kV |
| Maximum power dissipation for nominal condition | 0 W |

Connection data

| | |
|---------------------------------|-----|
| PEN function | yes |
| Grounding foot | Yes |
| Number of connections per level | 2 |

Level 1 above 1 below 1

| | |
|---|--|
| Screw thread | M4 |
| Note | Please observe the current carrying capacity of the DIN rails. |
| Tightening torque | 1.5 ... 1.8 Nm |
| Stripping length | 11 mm |
| Internal cylindrical gage | B7 |
| Connection in acc. with standard | IEC / EN |
| Conductor cross section rigid | 2.5 mm ² ... 25 mm ² |
| Cross section AWG | 12 ... 4 (converted acc. to IEC) |
| Conductor cross section flexible | 4 mm ² ... 16 mm ² |
| Conductor cross section, flexible [AWG] | 10 ... 6 (converted acc. to IEC) |
| Conductor cross-section flexible (ferrule without plastic sleeve) | 1.5 mm ² ... 16 mm ² |
| Flexible conductor cross section (ferrule with plastic sleeve) | 1.5 mm ² ... 16 mm ² |
| Nominal current | 101 A |
| Maximum load current | 101 A (with 25 mm ² conductor cross section) |
| Nominal voltage | 690 V |

Dimensions

| | |
|--------------------|---------|
| Width | 24.4 mm |
| Height | 42.5 mm |
| Depth on NS 32 | 59 mm |
| Depth on NS 35/7,5 | 54 mm |
| Depth on NS 35/15 | 61.5 mm |

Material specifications

UK 16 N-PE/N - Installation ground terminal block



3006179

<https://www.phoenixcontact.com/us/products/3006179>

| | |
|---|-------------------|
| Color | green-yellow-blue |
| Flammability rating according to UL 94 | V0 |
| Insulating material group | I |
| Insulating material | PA |
| Static insulating material application in cold | -60 °C |
| Temperature index of insulation material (DIN EN 60216-1 (VDE 0304-21)) | 130 °C |
| Relative insulation material temperature index (Elec., UL 746 B) | 130 °C |
| Fire protection for rail vehicles (DIN EN 45545-2) R22 | HL 1 - HL 3 |
| Fire protection for rail vehicles (DIN EN 45545-2) R23 | HL 1 - HL 3 |
| Fire protection for rail vehicles (DIN EN 45545-2) R24 | HL 1 - HL 3 |
| Fire protection for rail vehicles (DIN EN 45545-2) R26 | HL 1 - HL 3 |
| Calorimetric heat release NFPA 130 (ASTM E 1354) | 28 MJ/kg |
| Surface flammability NFPA 130 (ASTM E 162) | passed |
| Specific optical density of smoke NFPA 130 (ASTM E 662) | passed |
| Smoke gas toxicity NFPA 130 (SMP 800C) | passed |

Mechanical properties

General

| | |
|-------------------------|---|
| Terminal block mounting | 1.5 Nm ... 1.8 Nm (PE foot with mounting screw, M4) |
|-------------------------|---|

Mechanical data

| | |
|-----------------|----|
| Open side panel | No |
|-----------------|----|

Environmental and real-life conditions

Ambient conditions

| | |
|--|---|
| Ambient temperature (operation) | -60 °C ... 105 °C (max. short-term operating temperature RTI Elec.) |
| Ambient temperature (storage/transport) | -25 °C ... 60 °C (for a short time, not exceeding 24 h, -60 °C to +70 °C) |
| Ambient temperature (assembly) | -5 °C ... 70 °C |
| Ambient temperature (actuation) | -5 °C ... 70 °C |
| Permissible humidity (storage/transport) | 30 % ... 70 % |

Standards and regulations

| | |
|----------------------------------|----------|
| Connection in acc. with standard | IEC / EN |
|----------------------------------|----------|

Mounting

| | |
|-------------------------|---|
| Mounting type | NS 35/7,5 |
| | NS 35/15 |
| | NS 32 |
| Terminal block mounting | 1.5 Nm ... 1.8 Nm (PE foot with mounting screw, M4) |

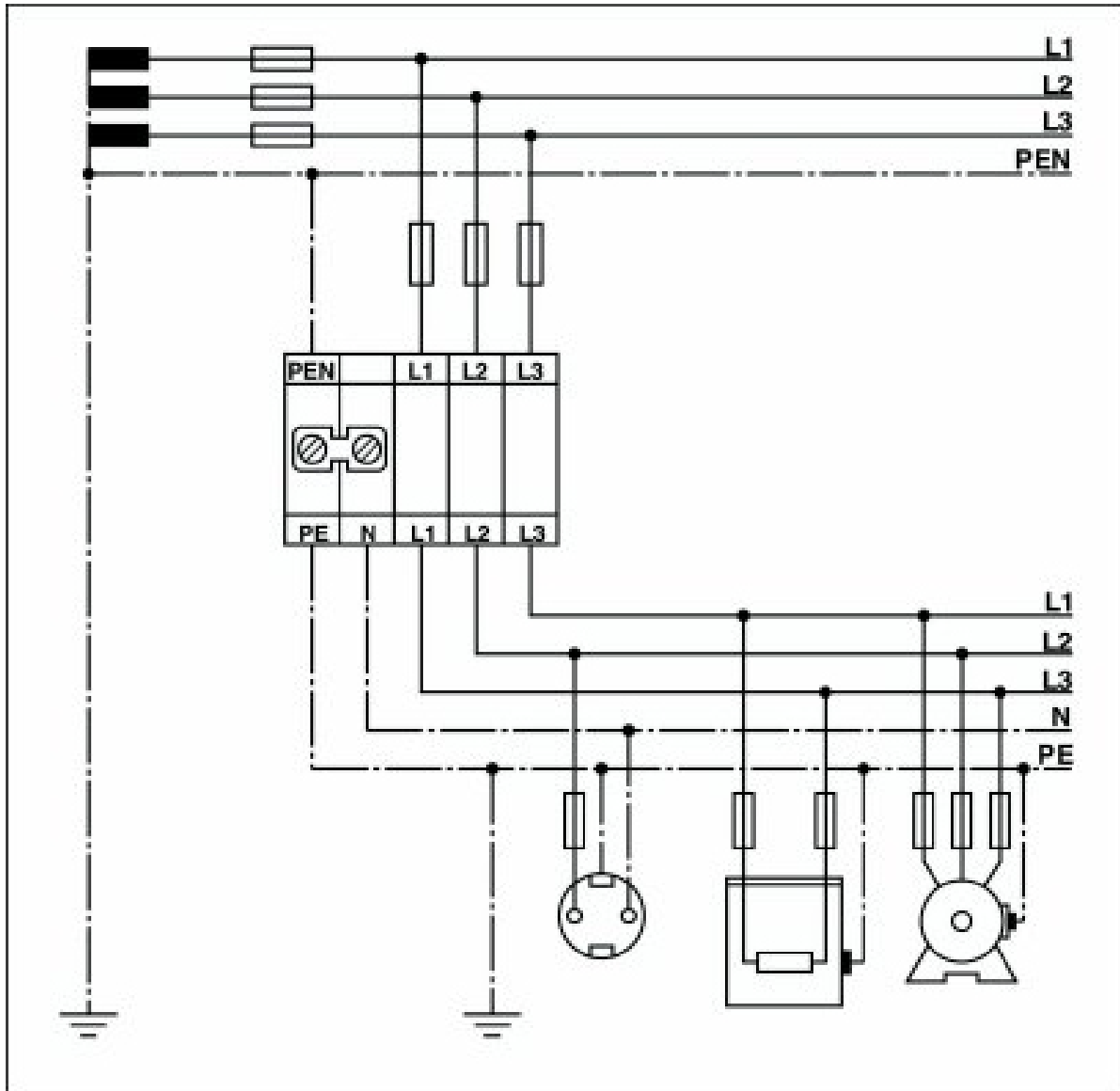
UK 16 N-PE/N - Installation ground terminal block

3006179

<https://www.phoenixcontact.com/us/products/3006179>

Drawings

Connection diagram



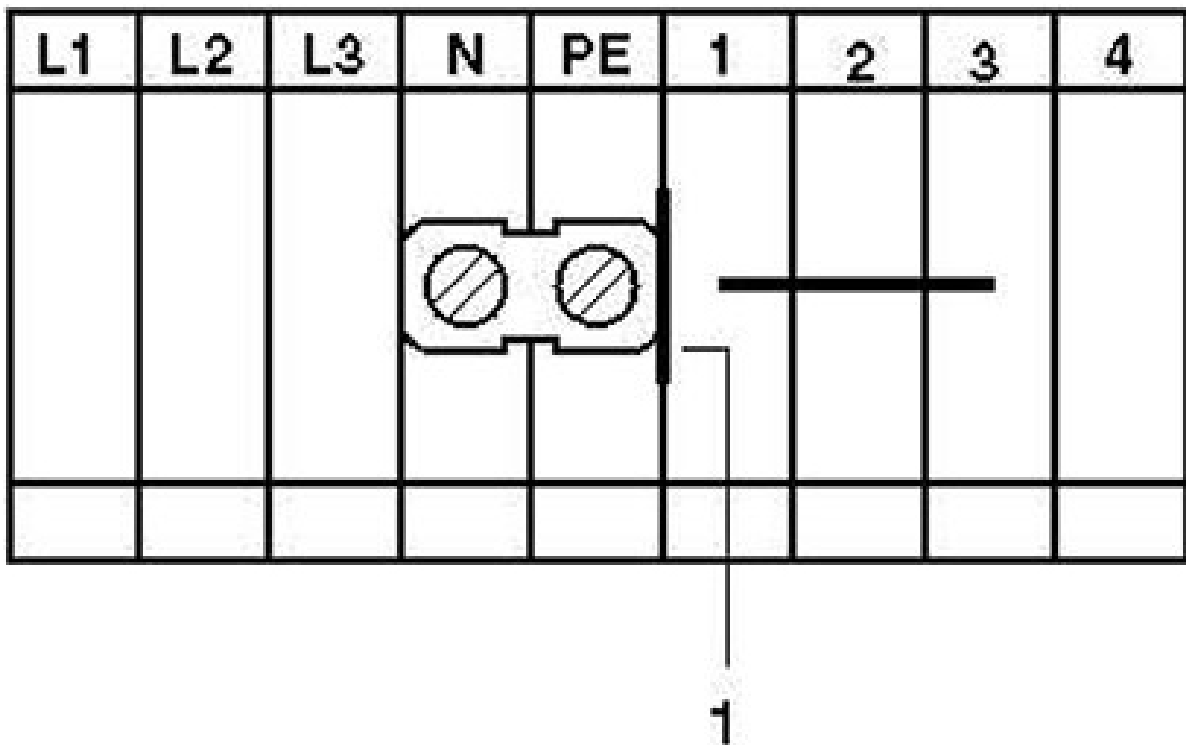
UK 16 N-PE/N - Installation ground terminal block



3006179

<https://www.phoenixcontact.com/us/products/3006179>

Circuit diagram



UK 16 N-PE/N - Installation ground terminal block



3006179

<https://www.phoenixcontact.com/us/products/3006179>

Approvals

To download certificates, visit the product detail page: <https://www.phoenixcontact.com/us/products/3006179>



EAC

Approval ID: RU C-DE.BL08.B.00534

UK 16 N-PE/N - Installation ground terminal block



3006179

<https://www.phoenixcontact.com/us/products/3006179>

Classifications

ECLASS

| | |
|-------------|----------|
| ECLASS-11.0 | 27141141 |
| ECLASS-13.0 | 27250103 |

ETIM

| | |
|----------|----------|
| ETIM 9.0 | EC000901 |
|----------|----------|

UNSPSC

| | |
|-------------|----------|
| UNSPSC 21.0 | 39121400 |
|-------------|----------|

UK 16 N-PE/N - Installation ground terminal block



3006179

<https://www.phoenixcontact.com/us/products/3006179>

Environmental product compliance

| | |
|------------|---|
| REACH SVHC | 4-Nonylphenol, branched and linear |
| China RoHS | Environmentally friendly use period: unlimited = EFUP-e |
| | No hazardous substances above threshold values |

UK 16 N-PE/N - Installation ground terminal block



3006179

<https://www.phoenixcontact.com/us/products/3006179>

Accessories

TS-K - Separating plate

1302215

<https://www.phoenixcontact.com/us/products/1302215>



Separating plate, depth: 22 mm, width: 0.5 mm, height: 22 mm, color: gray

SBS10:UNBEDRUCKT - Marker card

1007248

<https://www.phoenixcontact.com/us/products/1007248>



Marker card, Card, white, unlabeled, can be labeled with: Marker pen, perforated, mounting type: snapped, snap into flat marker groove, for terminal block width: 10 mm, lettering field size: 6 x 10.1 mm, Number of individual labels: 250

UK 16 N-PE/N - Installation ground terminal block



3006179

<https://www.phoenixcontact.com/us/products/3006179>

SZS 1,0X4,0 VDE - Screwdriver

1205066

<https://www.phoenixcontact.com/us/products/1205066>



Screwdriver, slot-headed, VDE insulated, size: 1.0 x 4.0 x 100 mm, 2-component grip, with non-slip grip

NS 32 PERF 2000MM-VPE 10 - DIN rail perforated

1201002

<https://www.phoenixcontact.com/us/products/1201002>



DIN rail perforated, Pack of 10 (20 m), acc. to EN 60715, material: Steel, galvanized, passivated with a thick layer, G profile, color: silver

UK 16 N-PE/N - Installation ground terminal block

3006179

<https://www.phoenixcontact.com/us/products/3006179>



NS 32 UNPERF 2000MM-VPE 10 - DIN rail, unperforated

1201015

<https://www.phoenixcontact.com/us/products/1201015>



DIN rail, unperforated, Pack of 10 (20 m), acc. to EN 60715, material: Steel, galvanized, passivated with a thick layer, G profile, color: silver

NS 35/ 7,5 PERF 2000MM - DIN rail perforated

0801733

<https://www.phoenixcontact.com/us/products/0801733>



DIN rail perforated, Pack of 25 (50 m), acc. to EN 60715, material: Steel, galvanized, passivated with a thick layer, Standard profile, color: silver

UK 16 N-PE/N - Installation ground terminal block

3006179

<https://www.phoenixcontact.com/us/products/3006179>



NS 35/ 7,5 UNPERF 2000MM - DIN rail, unperforated

0801681

<https://www.phoenixcontact.com/us/products/0801681>



DIN rail, unperforated, Pack of 25 (50 m), acc. to EN 60715, material: Steel, galvanized, passivated with a thick layer, Standard profile, color: silver

NS 35/ 7,5 WH PERF 2000MM - DIN rail perforated

1204119

<https://www.phoenixcontact.com/us/products/1204119>



DIN rail perforated, Pack of 25 (50 m), acc. to EN 60715, material: Steel, Galvanized, white passivated, Standard profile, color: silver

UK 16 N-PE/N - Installation ground terminal block

3006179

<https://www.phoenixcontact.com/us/products/3006179>



NS 35/ 7,5 WH UNPERF 2000MM-VPE 10 - DIN rail, unperforated

1204122

<https://www.phoenixcontact.com/us/products/1204122>



DIN rail, unperforated, Pack of 10 (20 m), acc. to EN 60715, material: Steel, Galvanized, white passivated, Standard profile, color: silver

NS 35/ 7,5 AL UNPERF 2000MM - DIN rail, unperforated

0801704

<https://www.phoenixcontact.com/us/products/0801704>



DIN rail, unperforated, Pack of 25 (50 m), acc. to EN 60715, material: Aluminum, uncoated, Standard profile, color: silver

UK 16 N-PE/N - Installation ground terminal block



3006179

<https://www.phoenixcontact.com/us/products/3006179>

NS 35/ 7,5 ZN PERF 2000MM - DIN rail perforated

1206421

<https://www.phoenixcontact.com/us/products/1206421>



DIN rail perforated, Pack of 25 (50 m), acc. to EN 60715, material: Steel, galvanized, Standard profile, color: silver

NS 35/ 7,5 ZN UNPERF 2000MM - DIN rail, unperforated

1206434

<https://www.phoenixcontact.com/us/products/1206434>



DIN rail, unperforated, Pack of 25 (50 m), acc. to EN 60715, material: Steel, galvanized, Standard profile, color: silver

UK 16 N-PE/N - Installation ground terminal block

3006179

<https://www.phoenixcontact.com/us/products/3006179>



NS 35/ 7,5 CU UNPERF 2000MM-VPE 10 - DIN rail, unperforated

0801762

<https://www.phoenixcontact.com/us/products/0801762>



DIN rail, unperforated, Pack of 10 (20 m), acc. to EN 60715, material: Copper, uncoated, Standard profile, color: copper-colored

NS 35/ 7,5 CAP - End cap

1206560

<https://www.phoenixcontact.com/us/products/1206560>

DIN rail end piece, for DIN rail NS 35/7.5



UK 16 N-PE/N - Installation ground terminal block



3006179

<https://www.phoenixcontact.com/us/products/3006179>

NS 35/15 PERF 2000MM - DIN rail perforated

1201730

<https://www.phoenixcontact.com/us/products/1201730>



DIN rail perforated, Pack of 25 (50 m), similar to EN 60715, material: Steel, galvanized, passivated with a thick layer, Standard profile, color: silver

NS 35/15 UNPERF 2000MM - DIN rail, unperforated

1201714

<https://www.phoenixcontact.com/us/products/1201714>



DIN rail, unperforated, Pack of 25 (50 m), similar to EN 60715, material: Steel, galvanized, passivated with a thick layer, Standard profile, color: silver

UK 16 N-PE/N - Installation ground terminal block

3006179

<https://www.phoenixcontact.com/us/products/3006179>



NS 35/15 WH PERF 2000MM - DIN rail perforated

0806602

<https://www.phoenixcontact.com/us/products/0806602>



DIN rail perforated, Pack of 25 (50 m), similar to EN 60715, material: Steel, Galvanized, white passivated, Standard profile, color: white

NS 35/15 WH UNPERF 2000MM-VPE 10 - DIN rail, unperforated

1204135

<https://www.phoenixcontact.com/us/products/1204135>



DIN rail, unperforated, Pack of 10 (20 m), similar to EN 60715, material: Steel, Galvanized, white passivated, Standard profile, color: silver

UK 16 N-PE/N - Installation ground terminal block



3006179

<https://www.phoenixcontact.com/us/products/3006179>

NS 35/15 AL UNPERF 2000MM - DIN rail, unperforated

1201756

<https://www.phoenixcontact.com/us/products/1201756>



DIN rail, unperforated, similar to EN 60715, material: Aluminum, uncoated, Standard profile, color: silver

NS 35/15 ZN PERF 2000MM - DIN rail perforated

1206599

<https://www.phoenixcontact.com/us/products/1206599>



DIN rail perforated, Pack of 25 (50 m), similar to EN 60715, material: Steel, galvanized, Standard profile, color: silver

UK 16 N-PE/N - Installation ground terminal block

3006179

<https://www.phoenixcontact.com/us/products/3006179>



NS 35/15 ZN UNPERF 2000MM - DIN rail, unperforated

1206586

<https://www.phoenixcontact.com/us/products/1206586>



DIN rail, unperforated, Pack of 25 (50 m), similar to EN 60715, material: Steel, galvanized, Standard profile, color: silver

NS 35/15 CU UNPERF 2000MM-VPE 10 - DIN rail, unperforated

1201895

<https://www.phoenixcontact.com/us/products/1201895>



DIN rail, unperforated, Pack of 10 (20 m), similar to EN 60715, material: Copper, uncoated, Standard profile, color: copper-colored

UK 16 N-PE/N - Installation ground terminal block



3006179

<https://www.phoenixcontact.com/us/products/3006179>

NS 35/15 CAP - End cap

1206573

<https://www.phoenixcontact.com/us/products/1206573>

DIN rail end piece, for DIN rail NS 35/15



ZB 12:UNPRINTED - Zack marker strip

0812120

<https://www.phoenixcontact.com/us/products/0812120>



Zack marker strip, Strip, white, unlabeled, can be labeled with: PLOTMARK, CMS-P1-PLOTTER, mounting type: snapped, for terminal block width: 12.2 mm, lettering field size: 12 x 10.5 mm, Number of individual labels: 5

UK 16 N-PE/N - Installation ground terminal block



3006179

<https://www.phoenixcontact.com/us/products/3006179>

ZB 12 CUS - Zack marker strip

0824942

<https://www.phoenixcontact.com/us/products/0824942>



Zack marker strip, can be ordered: Strip, white, labeled according to customer specifications, mounting type: snap into tall marker groove, for terminal block width: 12.2 mm, lettering field size: 10.5 x 12.15 mm, Number of individual labels: 5

ZB 12,LGS:L1-N,PE - Zack marker strip

0812146

<https://www.phoenixcontact.com/us/products/0812146>



Zack marker strip, Strip, white, labeled, printed horizontally: L1, L2, L3, N, PE, mounting type: snapped, for terminal block width: 12.2 mm, lettering field size: 10.5 x 12.15 mm, Number of individual labels: 5

UK 16 N-PE/N - Installation ground terminal block



3006179

<https://www.phoenixcontact.com/us/products/3006179>

UC-TM 12 - Marker for terminal blocks

0819194

<https://www.phoenixcontact.com/us/products/0819194>



Marker for terminal blocks, Sheet, white, unlabeled, can be labeled with: BLUEMARK ID COLOR, BLUEMARK ID, BLUEMARK CLED, PLOTMARK, CMS-P1-PLOTTER, mounting type: snapped, for terminal block width: 12 mm, lettering field size: 11.45 x 10.5 mm, Number of individual labels: 40

UC-TM 12 CUS - Marker for terminal blocks

0824613

<https://www.phoenixcontact.com/us/products/0824613>



Marker for terminal blocks, can be ordered: by sheet, white, labeled according to customer specifications, mounting type: snap into tall marker groove, for terminal block width: 12 mm, lettering field size: 11.45 x 10.5 mm, Number of individual labels: 40

UK 16 N-PE/N - Installation ground terminal block



3006179

<https://www.phoenixcontact.com/us/products/3006179>

UCT-TM 12 - Marker for terminal blocks

0829144

<https://www.phoenixcontact.com/us/products/0829144>



Marker for terminal blocks, Sheet, white, unlabeled, can be labeled with: TOPMARK NEO, TOPMARK LASER, BLUEMARK ID COLOR, BLUEMARK ID, BLUEMARK CLED, THERMOMARK PRIME, THERMOMARK CARD 2.0, THERMOMARK CARD, mounting type: snapped, for terminal block width: 12 mm, lettering field size: 10.8 x 9.6 mm, Number of individual labels: 30

UCT-TM 12 CUS - Marker for terminal blocks

0829630

<https://www.phoenixcontact.com/us/products/0829630>



Marker for terminal blocks, can be ordered: by sheet, white, labeled according to customer specifications, mounting type: snap into tall marker groove, for terminal block width: 12 mm, lettering field size: 10.8 x 9.6 mm, Number of individual labels: 30

UK 16 N-PE/N - Installation ground terminal block



3006179

<https://www.phoenixcontact.com/us/products/3006179>

E/UK - End bracket

1201442

<https://www.phoenixcontact.com/us/products/1201442>

End bracket, Mounting on a DIN rail NS 32 or NS 35, material: PA, color: gray



E/UK 1 - End bracket

1201413

<https://www.phoenixcontact.com/us/products/1201413>

End clamps, for supporting the ends of double-level and three-level terminal blocks, width: 10 mm, color: gray



Phoenix Contact 2024 © - all rights reserved
<https://www.phoenixcontact.com>

Phoenix Contact USA
586 Fulling Mill Road
Middletown, PA 17057, United States
(+717) 944-1300
info@phoenixcon.com