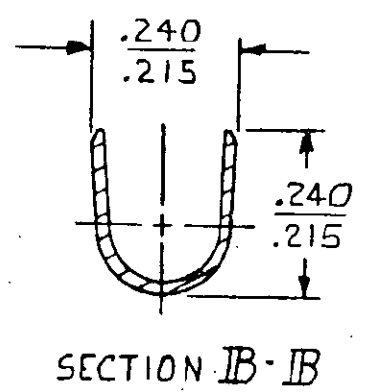
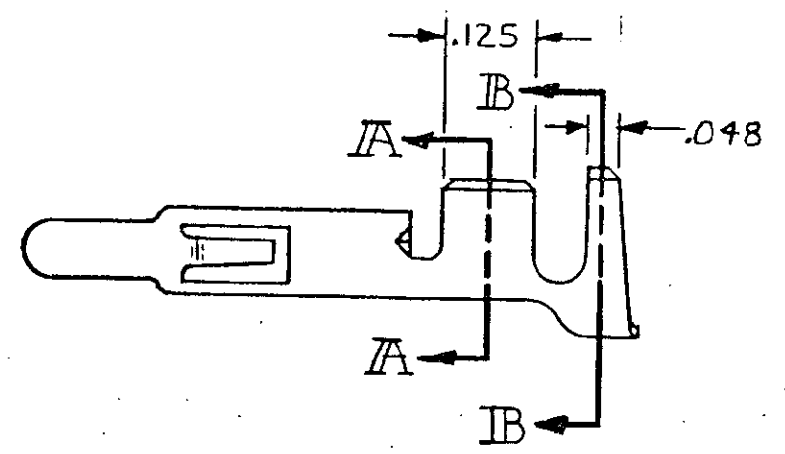
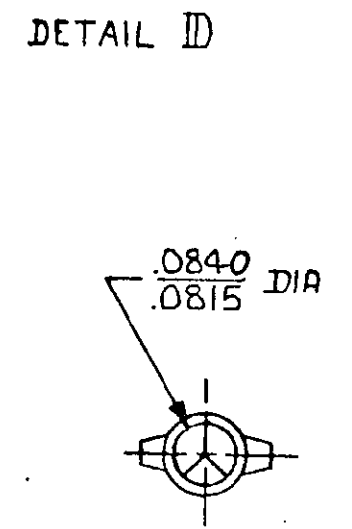
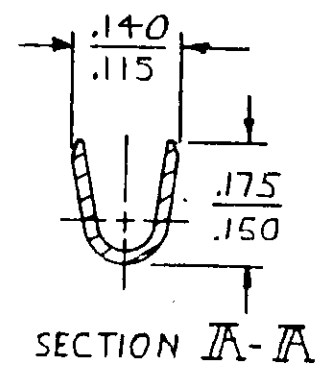
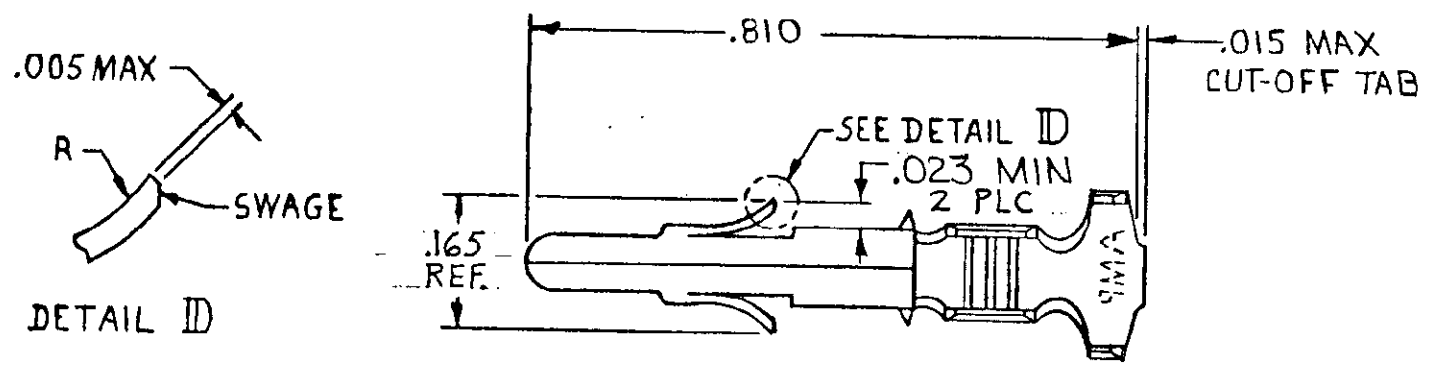



REVISIONS						
P	F	ZONE	LTR	DESCRIPTION	DATE	APPROVED
✓	✓		H	REVISED PER ECR-12-013323	10AUG12	TM



⚠ INSULATION RANGE: .130-.200 DIA.

PRE-TIN	.012 PH. BRZ	350918-3
FINISH	MATERIAL	PART NO

UNLESS OTHERWISE SPECIFIED DIMENSIONS ARE IN INCHES. TOLERANCES ON: DECIMALS ± .015 ANGLES ±	CONTRACT NO	 TE Connectivity	
	DR <i>m. feher 5-6-81</i>		
WIRE RANGE 18-14 AVG	CHK <i>D.S. Heide 6/9/81</i>	NAME PIN, (LOOSE PIECE) UNIVERSAL MATE-N-LOK	
INSULATION RANGE ⚠	APPR <i>R. Polaski 6-10-81</i>	SIZE B	CODE IDENT NO 00779
	DSGN APPD	DRAWING NO 350918	
	OTHER APPD	SCALE 4-1	SHEET