

HC-D 40-A-TWIN-PEL-F - Terminal adapter



1580147

<https://www.phoenixcontact.com/us/products/1580147>

Please be informed that the data shown in this PDF document is generated from our Online Catalog. Please find the complete data in the user documentation. Our General Terms of Use for Downloads are valid.



HEAVYCON terminal adapter female insert, D40 series, 40-pos., right PE connection for the left side of the control cabinet, push-in connection

Your advantages

- Easy installation without tools, even when mounted, with push-in connection technology
- Shortest installation time compared to other connection technologies
- Quick and effortless wiring, in particular when space is tight
- Automatic cabling with robots possible
- Safe wiring and operation with color-coded actuators
- Shock and vibration-resistant in accordance with DIN EN 61373

Commercial Data

Item number	1580147
Packing unit	1 pc
Minimum order quantity	1 pc
Sales Key	BF61
Product Key	BF7ADE
Catalog Page	Page 537 (C-2-2019)
GTIN	4046356154475
Weight per Piece (including packing)	365.5 g
Weight per Piece (excluding packing)	349 g
Customs tariff number	85366990
Country of origin	PL

HC-D 40-A-TWIN-PEL-F - Terminal adapter



1580147

<https://www.phoenixcontact.com/us/products/1580147>

Technical Data

Notes

General	For HEAVYCON-ADVANCE mounting flange and HEAVYCON panel mounting base of B16 type
General	Connectors may be operated only when there is no load/voltage.

Product properties

Type	B16
Product type	Terminal adapter
Number of positions	40
Connection profile	40+PE
Type	for the left side of the control cabinet
Series	HC-D

Insulation characteristics

Overvoltage category	III
Degree of pollution	3

Electrical properties

Rated voltage (III/3)	250 V
Rated surge voltage	4 kV
Rated current	10 A
SCCR	5 kA (UL 2237)

Connection data

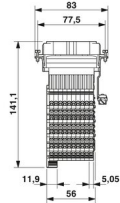
Connection technology

Connection technology	Push-in connection
-----------------------	--------------------

Conductor connection

Conductor cross section	0.5 mm ² ... 2.5 mm ²
Connection cross section AWG	22 ... 12
Stripping length of the individual wire	10 mm

Dimensions

Dimensional drawing	
Width	34 mm
Height	141.1 mm
Length	83 mm

HC-D 40-A-TWIN-PEL-F - Terminal adapter



1580147

<https://www.phoenixcontact.com/us/products/1580147>

Drill hole distance, horizontal	77.5 mm
Drill hole distance, vertical	27 mm

Material specifications

Color	light grey
Flammability rating according to UL 94	V0
Contact material	Copper alloy
Contact surface material	Ag
Contact carrier material	PA
Standards/regulations	PA: Fire protection in rail vehicles - requirement sets R22, R23, and R24 acc. to DIN EN 45545-2 (Risk level HL1 - HL3)

Cable/line

Stripping length of the individual wire	10 mm
---	-------

Mechanical properties

Mechanical data

Insertion/withdrawal cycles	≥ 500
-----------------------------	-------

Environmental and real-life conditions

Ambient conditions

Degree of protection	IP20
Ambient temperature (operation)	-40 °C ... 125 °C

Standards and regulations

Constructional and testing regulations	DIN EN 61984
	DIN EN 60664
	IEC 60352
Tests	DIN EN 61984
	DIN EN 60664
	IEC 60352

Testing

Standards/regulations	PA: Fire protection in rail vehicles - requirement sets R22, R23, and R24 acc. to DIN EN 45545-2 (Risk level HL1 - HL3)
-----------------------	---

Mounting

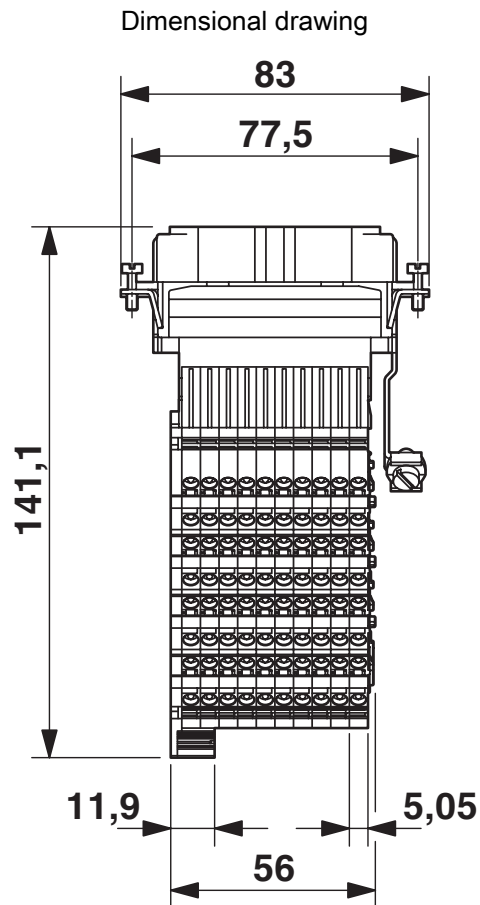
Assembly instructions	To ensure correct use, installation in housing with IP54 protection or better is required
	Not for HC-EVO panel mounting bases

HC-D 40-A-TWIN-PEL-F - Terminal adapter

1580147

<https://www.phoenixcontact.com/us/products/1580147>

Drawings



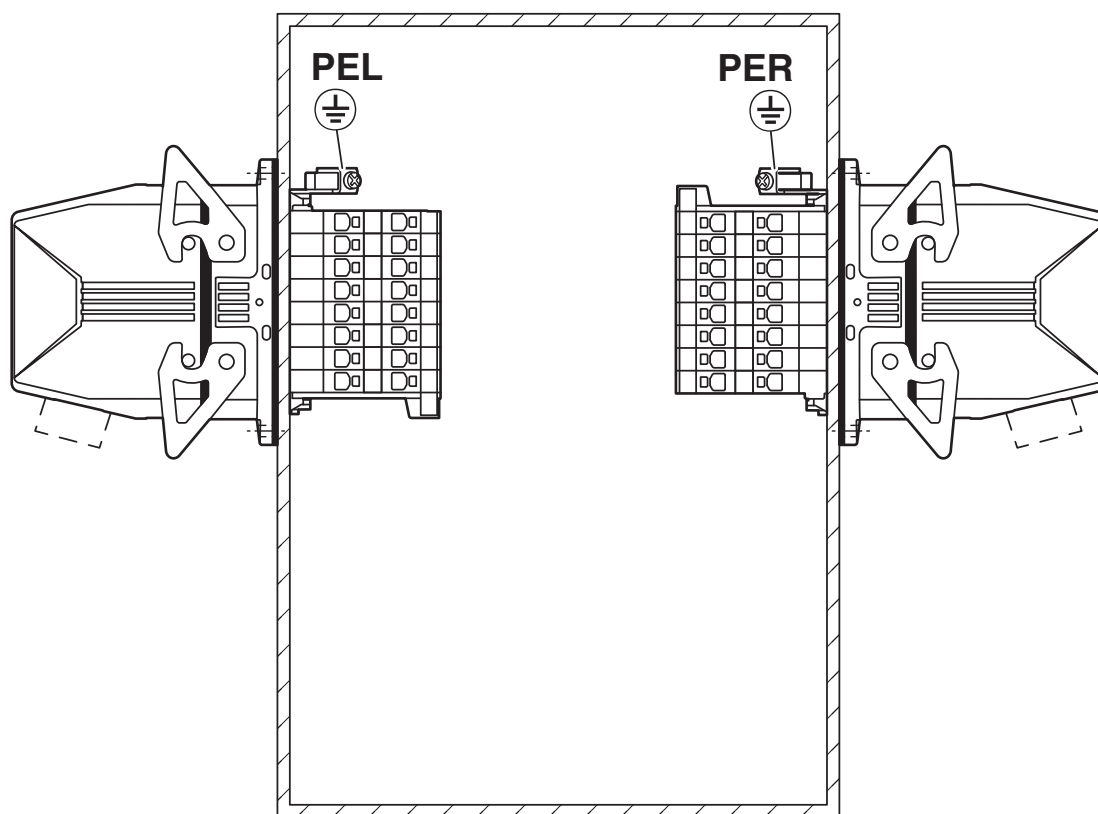
Connection side

HC-D 40-A-TWIN-PEL-F - Terminal adapter

1580147

<https://www.phoenixcontact.com/us/products/1580147>

Application drawing



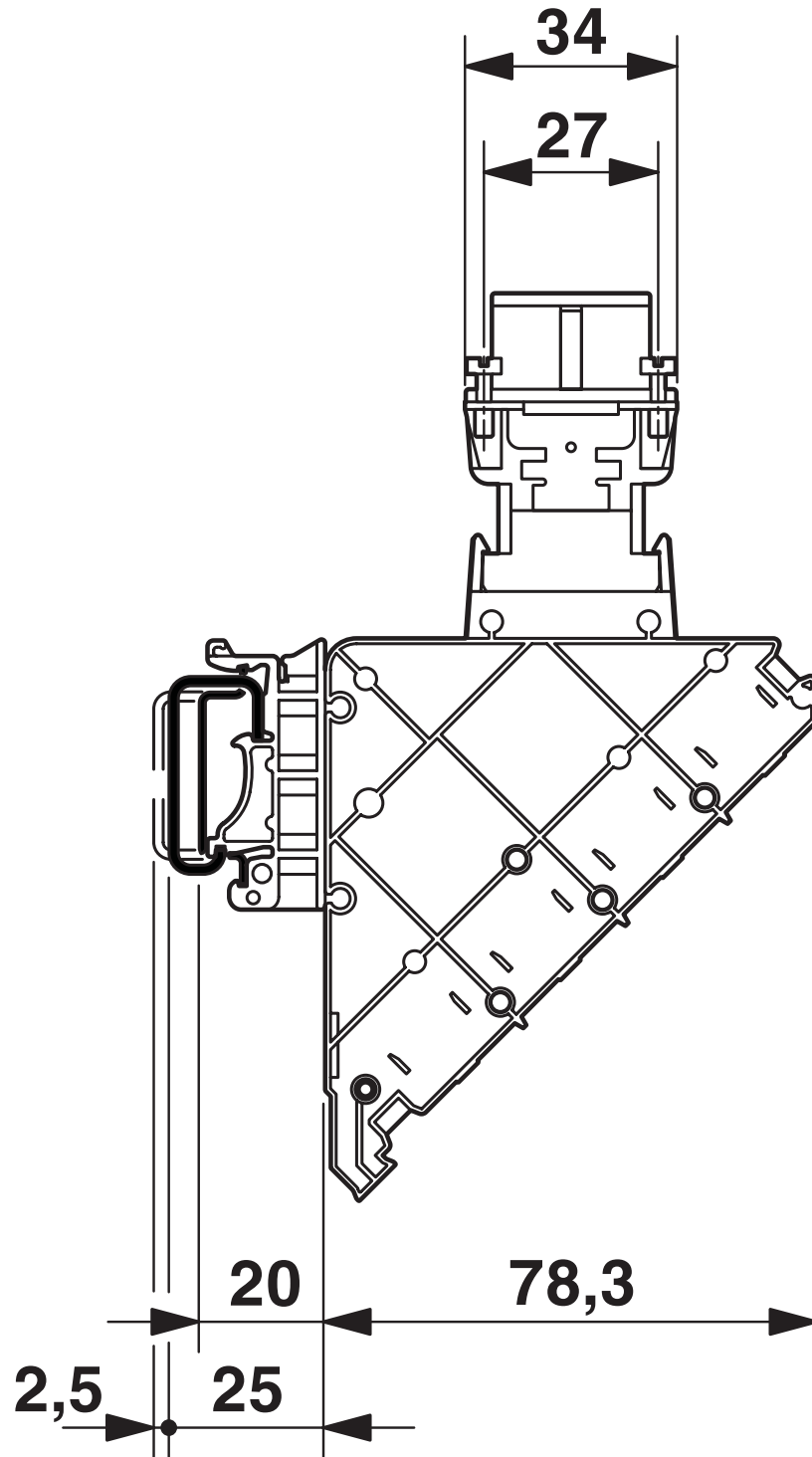
Mounting position PE connection left/right (PEL/PER)

HC-D 40-A-TWIN-PEL-F - Terminal adapter

1580147

<https://www.phoenixcontact.com/us/products/1580147>

Dimensional drawing



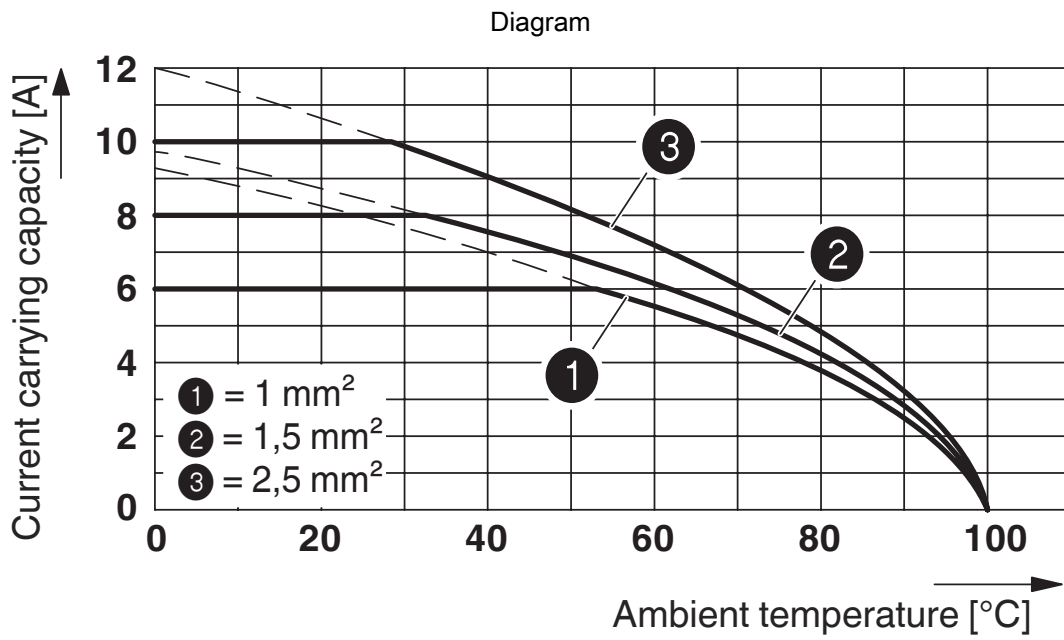
Side view

HC-D 40-A-TWIN-PEL-F - Terminal adapter



1580147

<https://www.phoenixcontact.com/us/products/1580147>



Derating diagram

HC-D 40-A-TWIN-PEL-F - Terminal adapter





1580147


<https://www.phoenixcontact.com/us/products/1580147>

Approvals

 CSA Approval ID: 13631	Nominal Voltage U_N	Nominal Current I_N	Cross Section AWG	Cross Section mm^2
	600 V	7 A	- 14	-

 UL Recognized Approval ID: E118976	Nominal Voltage U_N	Nominal Current I_N	Cross Section AWG	Cross Section mm^2
	600 V	7 A	- 14	-

 EAC Approval ID: RU C-DE.AI30.B.01102

 EAC Approval ID: RU C-DE.BL08.B.00511

 UL Recognized Approval ID: E468743	Nominal Voltage U_N	Nominal Current I_N	Cross Section AWG	Cross Section mm^2
	600 V	10 A	-	-

HC-D 40-A-TWIN-PEL-F - Terminal adapter



1580147

<https://www.phoenixcontact.com/us/products/1580147>

Classifications

ECLASS

ECLASS-11.0	27440222
ECLASS-12.0	27440222
ECLASS-13.0	27440222

ETIM

ETIM 8.0	EC000438
----------	----------

UNSPSC

UNSPSC 21.0	39121500
-------------	----------

HC-D 40-A-TWIN-PEL-F - Terminal adapter



1580147

<https://www.phoenixcontact.com/us/products/1580147>

Environmental Product Compliance

China RoHS	Environmentally friendly use period: unlimited = EFUP-e
	No hazardous substances above threshold values

HC-D 40-A-TWIN-PEL-F - Terminal adapter

1580147

<https://www.phoenixcontact.com/us/products/1580147>

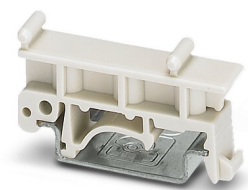
Accessories

HC-KA-FE - Foot element

1775240

<https://www.phoenixcontact.com/us/products/1775240>

Foot element, for mounting on DIN rail NS 32, DIN rail NS 35/7.5 or DIN rail NS 35/15, can be inserted between basic and side element



HC-VSH - Locking screw barrel

1660083

<https://www.phoenixcontact.com/us/products/1660083>

Locking screw barrel, for a firm connection of contact inserts and DIN-rail mountable terminal adapters



HC-D 40-A-TWIN-PEL-F - Terminal adapter

1580147

<https://www.phoenixcontact.com/us/products/1580147>



HC-CST - Coding element

1676857

<https://www.phoenixcontact.com/us/products/1676857>



Coding peg for coding up to 16 connectors

HC-CBU - Coding element

1676860

<https://www.phoenixcontact.com/us/products/1676860>



Coding socket for coding up to 16 connectors

HC-D 40-A-TWIN-PEL-F - Terminal adapter

1580147

<https://www.phoenixcontact.com/us/products/1580147>

HC-CB - Coding bolt

1772722

<https://www.phoenixcontact.com/us/products/1772722>



Coding pin, prevents mismatching of up to six connectors with an identical number of positions

HC-B-PES - Screw

1604997

<https://www.phoenixcontact.com/us/products/1604997>



PE screw, for contact inserts HC-B / HC-BB / HC-DD / HC-D40 / HC-D64

HC-D 40-A-TWIN-PEL-F - Terminal adapter

1580147

<https://www.phoenixcontact.com/us/products/1580147>



HC-B-3PE - PE multiplier

1644326

<https://www.phoenixcontact.com/us/products/1644326>



PE multiplier, for 3 PE connections, for HC-B / HC-BB / HC-DD / HC-D40 / HC-D64 contact inserts

SZF 1-0,6X3,5 - Screwdriver

1204517

<https://www.phoenixcontact.com/us/products/1204517>



Actuation tool, for ST terminal blocks, also suitable for use as a bladed screwdriver, size: 0.6 x 3.5 x 100 mm, 2-component grip, with non-slip grip

HC-D 40-A-TWIN-PEL-F - Terminal adapter



1580147

<https://www.phoenixcontact.com/us/products/1580147>

ZB 5 :UNBEDRUCKT - Zack marker strip

1050004

<https://www.phoenixcontact.com/us/products/1050004>



Zack marker strip, Strip, white, unlabeled, can be labeled with: PLOTMARK, CMS-P1-PLOTTER, mounting type: snapped, for terminal block width: 5.2 mm, lettering field size: 5.1 x 10.5 mm, Number of individual labels: 10

HC-D 40-I-CT-M - Contact insert

1584415

<https://www.phoenixcontact.com/us/products/1584415>



HEAVYCON male insert, D40 series, 40-pos., crimp connection

Phoenix Contact 2023 © - all rights reserved
<https://www.phoenixcontact.com>

Phoenix Contact USA
586 Fulling Mill Road
Middletown, PA 17057, United States
(+717) 944-1300
info@phoenixcon.com