

This drawing is copyright. Information contained thereon is supplied in confidence and must not be used for any other purpose than which it was supplied, or be reproduced without written permission of the owners.

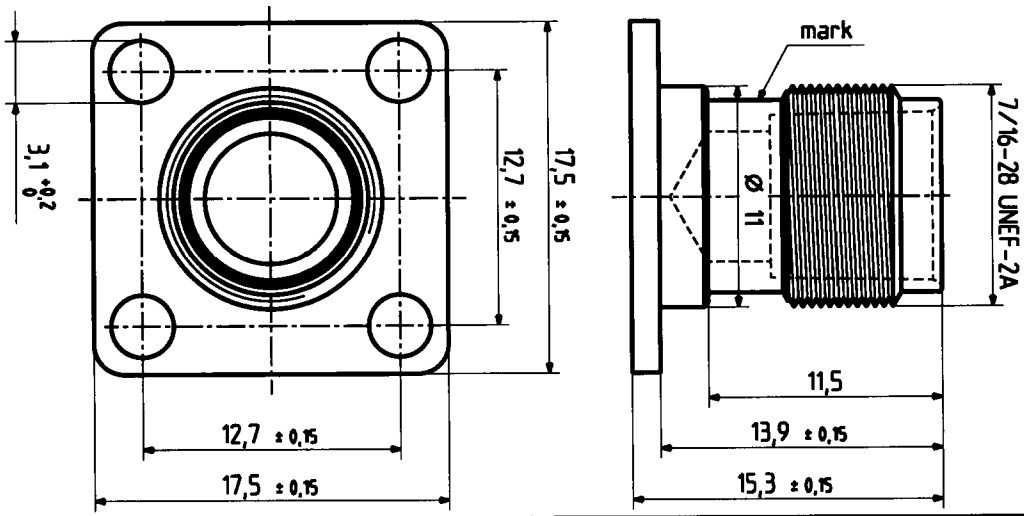
Diese Zeichnung ist unser geistiges Eigentum und darf ohne unsere ausdrückliche Einwilligung weder kopiert, vervielfältigt, noch Dritten oder Konkurrenzfirmen zugänglich gemacht werden.

23 TNC-0-0-1

ABS 0708-01

ENGINEERING DATA:

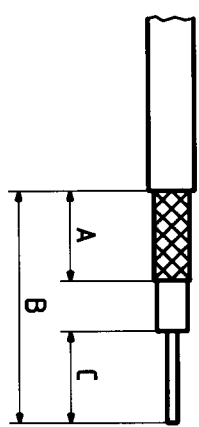
Sealing against splashing water
 Temperature rating : - 65°C / 165°C
 Material : Body : Brass, nickel-plated



QUALIFICATION - TESTS

Examination or test	Group I			Remarks
	Method	Test Req.	Value paragraph	
Material	4.6.1	a.	3.3	ML-C-39012
Finish	4.6.1	a.	3.3.1	ML-C-39012
Dissimilar metals	4.6.1	n.a.	-	-
Design and construction (dimension)	4.6.1.1	a.	3.4	ML-C-39012
Marking	4.6.1	a.	3.29	ML-C-39012
Marking (visual indication)	4.6.1	a.	3.4.1	ML-C-39012
Bayonet and threaded types	4.6.2.1	a.	≤ 0.23 Nm	-
Coupling proof torque	4.6.3	a.	-	-
Mating characteristics	4.6.4	a.	313.2	ML-STD-34.8
Permeability of nonmagnetic materials	4.6.5	n.a.	-	-
Workmanship	4.6.1	a.	3.30	ML-C-39012
Hermetic seal (pressurized connectors only)	4.6.6	n.a.	-	-
Leakage (pressurized connectors only)	4.6.7	n.a.	-	-
Insulation resistance	4.6.8	n.a.	-	-
Center contact retention	4.6.9	n.a.	-	-
Corrosion	4.6.10	a.	48 h	1 pair only
Voltage standing-wave ratio	4.6.11	n.a.	-	-
Connector durability	4.6.12	n.a.	-	(know-how manufacturer)
Center contact resistance	4.6.13	n.a.	-	-
Dielectric withstanding voltage	4.6.14	n.a.	-	-
Vibration	4.6.15	a.	Meth. 204 Cond. B	ML-STD-202
Shock (specified pulses)	4.6.16	n.a.	-	-
Thermal shock	4.6.17	n.a.	-	-
Moisture resistance	4.6.18	n.a.	-	-
Corona level	4.6.19	n.a.	-	-
RF high potential withstanding voltage	4.6.20	n.a.	-	-
Cable retention force	4.6.21	n.a.	-	-
Coupling mechanism retention force	4.6.22	n.a.	-	-
RF leakage	4.6.23	n.a.	-	-
RF insertion loss	4.6.24	n.a.	-	-
Contact resistance inner conductor	4.6.13	n.a.	-	-
Contact resistance outer conductor	4.6.13	n.a.	-	-
Contact resistance: braid/point of contact	4.6.13	n.a.	-	-

CABLE PREPARATION



Cable	Stripping dimensions		
	A	B	C
--	--	--	--

TOOLS REQUIRED

	Crimp tool	Positioner		Selector setting
		Die	Color	
Inner contact	--	--	--	--
Outer contact	--	--	--	--



HUBER + SUHNER

3.13.18563

h

Erstellt	Datum	Kurz-/Messung
8.9.98	5/5/7/11.6	
Geprüft	3.13.18 <th>533</th>	533
27.9.98		533
Freigegeben	27.9.98	533

Mouser Electronics

Authorized Distributor

Click to View Pricing, Inventory, Delivery & Lifecycle Information:

[HUBER+SUHNER:](#)

[23_TNC-0-0-1](#)