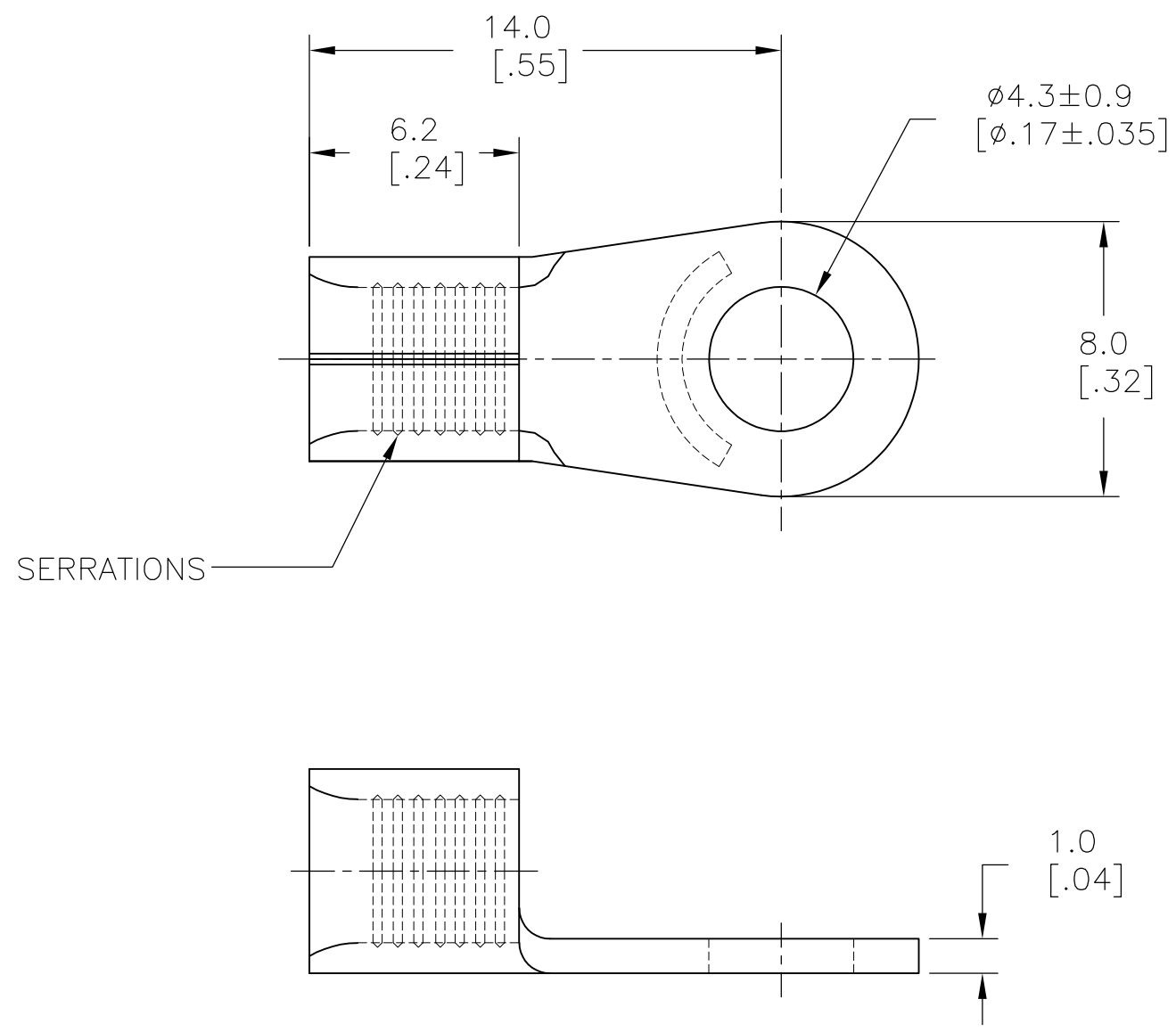

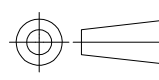


THIS DRAWING IS UNPUBLISHED. RELEASED FOR PUBLICATION
 © COPYRIGHT - By - ALL RIGHTS RESERVED.

LOC	DIST	REVISIONS					
		P	LTR	DESCRIPTION	DATE	DWN	APVD
H	86		D1	REVISED PER ECO-13-006585	19APR13	KH	DR



165301-0
 PART NO

THIS DRAWING IS A CONTROLLED DOCUMENT.		DWN jr_ruth 12MAY04	 TE Connectivity				
DIMENSIONS: mm [INCHES]		CHK T MICHELUTTI 12MAY04					
TOLERANCES UNLESS OTHERWISE SPECIFIED: 0 PLC ± 0.2 1 PLC ± 0.2 2 PLC ± 0.2 3 PLC ± - 4 PLC ± - ANGLES ± 5°		APVD T MICHELUTTI 12MAY04	NAME				
		PRODUCT SPEC	RING TONGUE SOLISTRAND WIRE SIZE: 4-6mm ²				
MATERIAL COPPER		FINISH TIN PLATED	APPLICATION SPEC	SIZE A3	CAGE CODE 00779	DRAWING NO C-165301	RESTRICTED TO
CUSTOMER DRAWING			WEIGHT -	SCALE 5:1	SHEET 1 OF 1	REV D1	