

RoHS
Compliant



Description

This is an industrial solid state relay with an integrated heatsink, width at 30mm or 50mm, with rail clips, can be mounted on 35mm din rail or be screwed on the panel. The product offers four control voltage specifications: 4 ~ 32V DC, the load voltage is 24 ~ 280VAC, load current 10A, 20A, 30A and 40A. Product dimension is at 100mm×30mm×112mm (10A, 20A and 30A products) or 122mm×50mm×110mm (40A product).

Features

- Zero crossing switching
- MOV protection circuit
- Ratings from 10A to 40A @ 24-530V AC
- SCR output
- DC input
- With integrated heatsink, Width 30mm (for 10A-30A) or 50mm (for 40A)
- Dielectric strength 4000VACrms
- LED indication
- Built-in RC snubber circuit
- On panel or 35mm rail (DIN EN50022)

Applications

High-low Temperature Chamber, Plastics Machinery, Incubation Machine, Oiling Machine, Elevator, Lighting, Fountain Controller.

Technical Specification

Input Circuit

Control Voltage Range	: 4V DC to 32V DC
Min. Turn-On Voltage	: 4V DC
Min. Turn-Off Voltage	: 1V DC
Max. Reverse Voltage	: 32V DC
Max. Input Current	: 15mA

Output Circuit

Load Voltage Range (240V)	: 24 ~ 280V AC
Max. Turn-on Time	: 10ms
Max. Turn-off Time	: 10ms
Max. Surge Current [@10ms]	
10A	: 200A
20A	: 300A
30A	: 460A
40A	: 520A

Solid State Relay

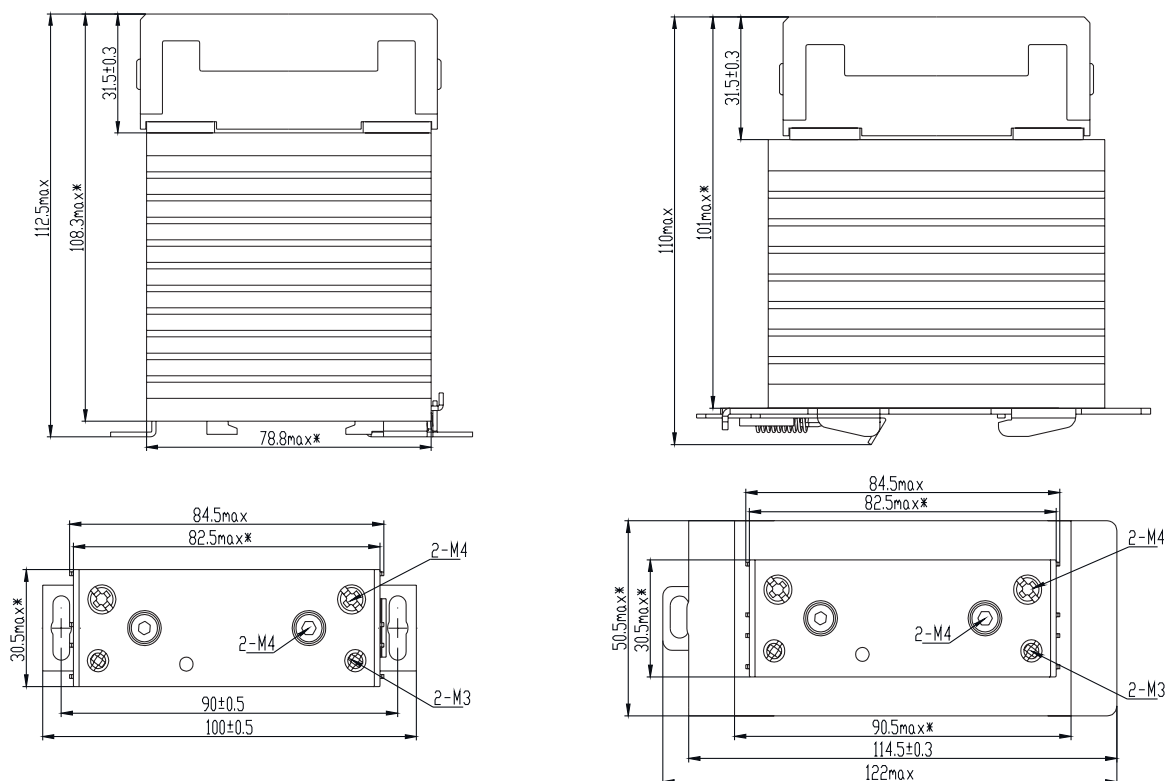
multicomp PRO

Max. I ² t For Fusing [@10ms]	
10A	: 200A ² S
20A	: 450A ² S
30A	: 1060A ² S
40A	: 1350A ² S
Transient Over Voltage	: 600Vpk
Max. Off-State Leakage Current [@ Rated Voltage]	: 5mA
Max. On-State Voltage Drop [@ Rated Current]	
Typical	: 1.25Vrms
Max.	: 1.5Vrms
Min. Off-State dv/dt [@ Max. Rated Voltage]	: ≥500 V/μs

General Information

Dielectric Strength (50/60Hz)	
Input/Output	: ≧4000Vrms
Input, Output/Base	: ≧2500Vrms
Min. power factor	: 0.5
Ambient Operating Temperature Range	: -30°C to +80°C
Ambient Storage Temperature Range	: -30°C to +100°C
Weight [Typical]	: For 10A/20A/30A it is 355g and for 40A it is 540g

Diagram

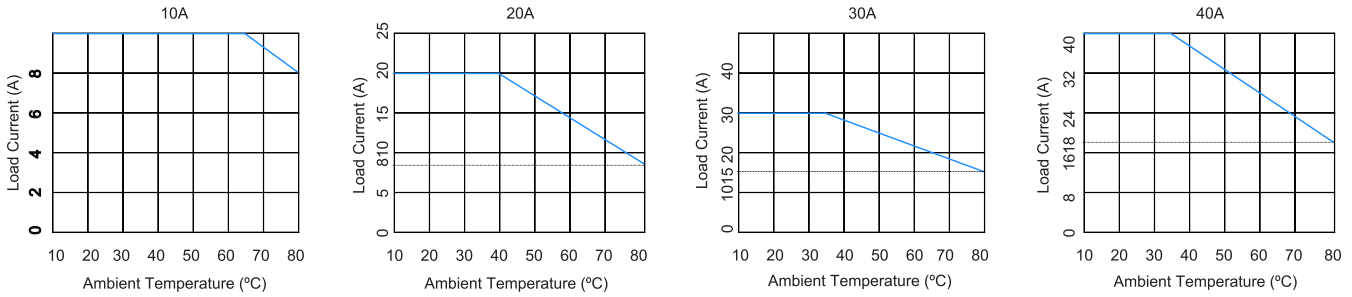


Dimensions : Millimetres

Newark.com/multicomp-pro
 Farnell.com/multicomp-pro
 Element14.com/multicomp-pro

multicomp PRO

Thermal Curve



Part Number Table

Description	Part Number
SSR, Din-Rail, 10A, 240V AC	MCKSV240D10-LM
SSR, Din-Rail, 20A, 240V AC	MCKSV240D20-LM
SSR, Din-Rail, 30A, 240V AC	MCKSV240D30-LM
SSR, Din-Rail, 40A, 240V AC	MCKSV240D40-LM

Important Notice : This data sheet and its contents (the "Information") belong to the members of the AVNET group of companies (the "Group") or are licensed to it. No licence is granted for the use of it other than for information purposes in connection with the products to which it relates. No licence of any intellectual property rights is granted. The Information is subject to change without notice and replaces all data sheets previously supplied. The Information supplied is believed to be accurate but the Group assumes no responsibility for its accuracy or completeness, any error in or omission from it or for any use made of it. Users of this data sheet should check for themselves the Information and the suitability of the products for their purpose and not make any assumptions based on information included or omitted. Liability for loss or damage resulting from any reliance on the Information or use of it (including liability resulting from negligence or where the Group was aware of the possibility of such loss or damage arising) is excluded. This will not operate to limit or restrict the Group's liability for death or personal injury resulting from its negligence. Multicomp Pro is the registered trademark of Premier Farnell Limited 2019.