



规格承认书

File No.: Q/FRK 0.GS.C.C42-C15

| | |
|------|--------------------------|
| 产品名称 | 塑料外壳金属化聚丙烯膜抗干扰电容器 (X2 类) |
| 产品型号 | MKP62 |
| 产品编码 | C42Q2335MBBC380 |
| 客户名称 | |
| 客户编码 | |
| 日期 | 2020-03 |

| | | | |
|--------------|----|----|------|
| 厦门法拉电子股份有限公司 | | | 承认厂商 |
| 拟制 | 审核 | 批准 | |
| | | | |



厦门法拉电子股份有限公司
地址：中国厦门市海沧区新园路 99 号

营销中心

TEL: 0086-592-6208620 6208505 6208586

FAX: 0086-592-6208777

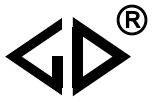
Mail: Vitawang@faratronic.com.cn

Donny@faratronic.com.cn

James@faratronic.com.cn

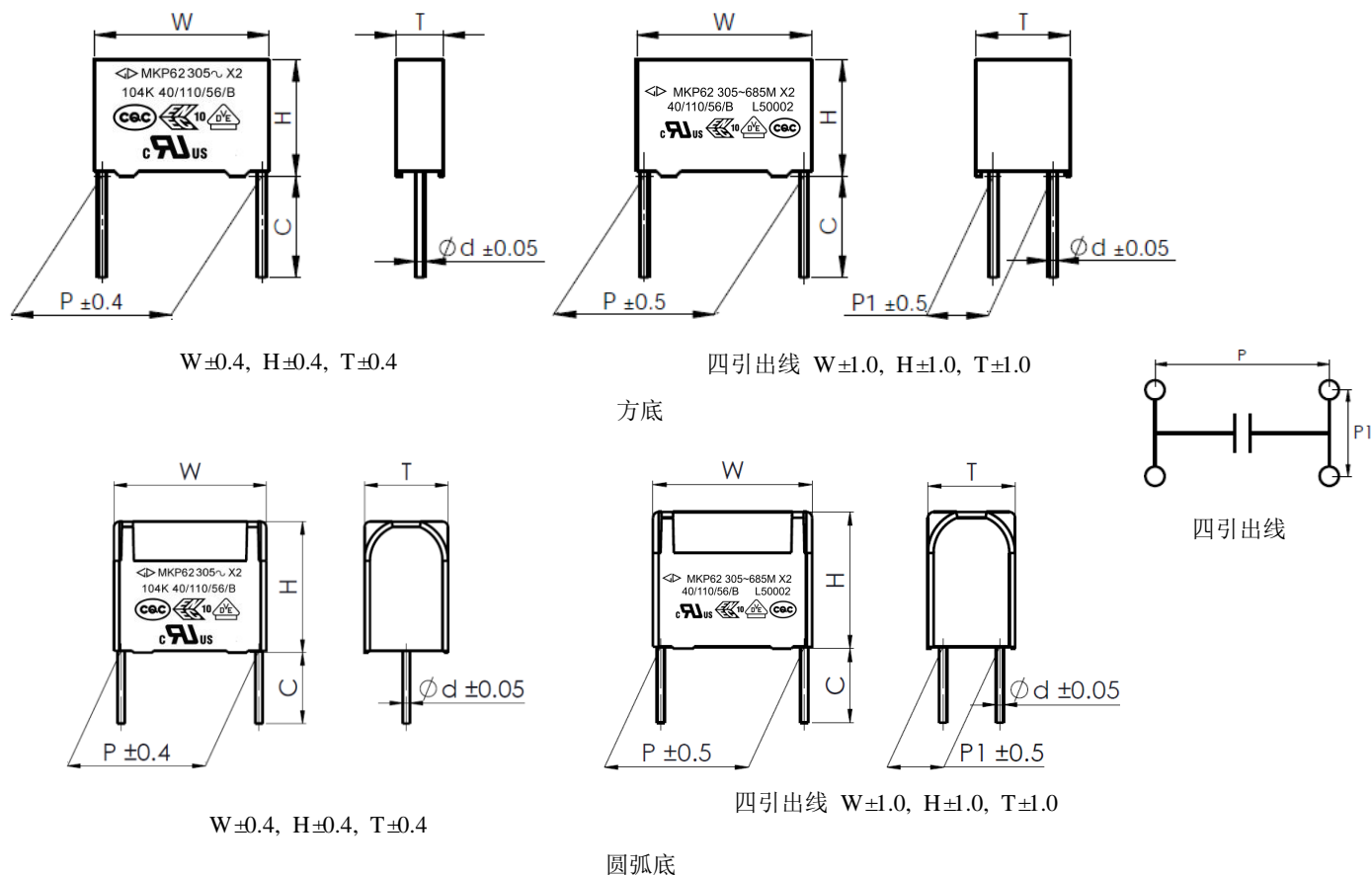
Http: www.faratronic.com.cn

* 此规格书归厦门法拉电子股份有限公司所有，未经许可，不得复制及用于其它商业用途。



版本更新记录

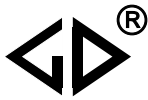
| 现有版本 | 日期 | 编写者 | 更改说明 |
|------|----|-----|------|
| | | | |
| | | | |
| | | | |

金属化聚丙烯膜抗干扰电容器 (X2 类, 305Vac/275Vac)
■ 外形图

■ 特点

- 金属化聚丙烯
- 能承受过压冲击
- 优异的阻燃性能
- 用于电源跨线路等抗干扰场合

■ 安全认证

| | | | |
|---|--|--------------------|---|
| ● | | CQC (中国) | IEC 60384-14:2013, X2, 305Vac/275Vac, 0.0010μF~50.0μF, 40/110/56/B 证书号: CQC03001002875 |
| ● | | ENEC-VDE (欧盟) | EN 60384-14:2013+A1 2016, X2, 305Vac/275Vac, 0.0010μF~50.0μF, 40/110/56/B 证书号: 40000358 |
| ● | | UL-CUL (美国/加拿大) | UL 60384-14:2009, CSA E60384-14:09, X2, 305Vac/275Vac, 0.0010μF~50.0μF, 40/110/56/B 证书号: E186600, CCN: FOWX2/8 |
| ● | | KC (韩国) | K60384-14(2006-12), X2, 305Vac/275Vac, 0.0010μF~3.0μF, 40/110/56/B 证书号: SU03060-12001A/12002/12003/12004 |



■ 技术要求

| | | | |
|--|---|---------------------------------|----------------------------------|
| 电容器类别 | X2 类 | | |
| 气候类别/阻燃等级 | 40/110/56/B | | |
| 工作温度范围 | -40℃ ~ +110℃ | | |
| 额定电压(U _R) | 305Vac/275Vac, 50/60Hz | | |
| 最大连续直流电压 | 630Vdc | | |
| 电容量范围 | 0.0010μF~25.0μF | | |
| 电容量偏差 | ±10%(K), ±20%(M) | | |
| 耐电压 | 引线之间 | 4.3U _R (dc), 2s | |
| | 极壳之间 | 2 120Vac, 1min | |
| 绝缘电阻 | R≥15 000MΩ, C _N ≤0.33μF RC _N ≥5 000s, C _N >0.33μF (20℃, 100V, 1min) | | |
| 损耗角正切 | 0.0010μF≤C _N <0.010μF | ≤20×10 ⁻⁴ (1kHz,20℃) | ≤20×10 ⁻⁴ (10kHz,20℃) |
| | 0.010μF≤C _N ≤0.47μF | ≤10×10 ⁻⁴ (1kHz,20℃) | ≤20×10 ⁻⁴ (10kHz,20℃) |
| | 0.47μF<C _N ≤1.0μF | ≤20×10 ⁻⁴ (1kHz,20℃) | ≤40×10 ⁻⁴ (10kHz,20℃) |
| | 1.0μF<C _N ≤10.0μF | ≤30×10 ⁻⁴ (1kHz,20℃) | ----- |
| | 10.0μF<C _N ≤50.0μF | ≤40×10 ⁻⁴ (1kHz,20℃) | ----- |
| 注: 1.推荐用于电网额定电压不超过250VAC场合 ; | | | |
| 2.如果需要用到承载一定纹波电流场合, 建议选用 C6A 等专用的滤波电容器 ; 如有疑问, 请与我司技术工程师联系 ; | | | |
| 3.若用于户外或长期湿度较大场合, 建议选用防潮设计。 | | | |



■ 产品编码说明

15 位产品代码如下:

| | | | | | | | | | | | | | | |
|---|---|---|---|---|---|---|---|---|----|----|----|----|----|----|
| 1 | 2 | 3 | 4 | 5 | 6 | 7 | 8 | 9 | 10 | 11 | 12 | 13 | 14 | 15 |
| C | 4 | 2 | | | | | | | | | | | | |

第 1~3 位 型号代码

C42=MKP62

第 4~5 位 交流额定电压

Q2=305V P2=275V

第 6~8 位 标称容量

举例: 103=10×10³ pF= 0.01μF

第 9 位 容量偏差

K=±10%, M=±20%

第 10 位 引线脚距

3=7.5mm 4=10.0mm 6=15.0mm 9=22.5mm

B=27.5mm F=37.5mm M=52.5mm

第 11 位 内部特征码

第 12~15 位 引线加工和包装代码

表 1 引线加工和包装代码

| 第 12 位 | | 第 13 位 | | 第 14 位 | | 第 15 位 | |
|--------|------------------------|-------------|--|--------|------|--------|---|
| 代码 | 说明 | 代码 | 说明 | 代码 | 说明 | 代码 | 说明 |
| A | 弹带包装 | 3 4 6 | F=7.5mm F=10.0mm F=15.0mm | 0 | 表示直脚 | 1 5 | 产品在连续的两个载带孔之间 P3=12.7mm,H=18.5mm (对于 P=7.5mm) P3=25.4mm;H=18.5mm (对于 P=10/15mm) |
| C | 直脚 | 代 码 | 说明 | | | 0 | 引线长度偏差±0.5mm 或标准长度 |
| | | 00 45 | 标准的引线长度(18mm~26mm) 引线长度 4.5mm | | | | |
| D | 软绝缘线 (多股) | C5 | 35mm | | | 1 | 引线长度偏差-5mm~0mm |
| E | 硬绝缘线 (单股) | K0 | 100mm | | | 2 | 引线长度偏差 0 mm~+5 mm |
| M | 软绝缘线 (多股), 外壳带正底安装耳 | K2 L0 | 120mm 200mm | | | 3 | 引线长度偏差 0 mm~+10mm |
| | | | 注 1: 这里的长度包含剥线长度 注 2: 一般 P≥27.5 产品才可选用绝缘线方式 | | | 4 | 引线长度偏差±5 mm |
| T | P1=20.3mm±0.5m m | 45 | 引线长度 4.5mm | | | 0 | 引线长度偏差±0.5mm 或标准长度 |
| 3 | P1=20mm±0.5mm | 55 | 引线长度 5.5mm | | | | |

注: 长脚易变形, 推荐短脚



■ 外形尺寸
标准型

| 305Vac/275Vac [#] | | | | | | | 305Vac/275Vac [#] | | | | | | | 305Vac/275Vac [#] | | | | | | |
|----------------------------|------|------|-----|------|-----|-----------------|----------------------------|------|------|------|------|-----|-----------------|----------------------------|------|------|------|------|------------------|------------------|
| C _N (μF) | W | H | T | P | d | Part number | C _N (μF) | W | H | T | P | d | Part number | C _N (μF) | W | H | T | P | d | Part number |
| 0.0010 | 10.5 | 9.0 | 4.0 | 7.5 | 0.6 | C42Q2102-30**** | 0.010 | 17.5 | 9.5 | 5.0 | 15.0 | 0.6 | C42Q2103-6A**** | 1.8 | 26.5 | 24.5 | 15.5 | 22.5 | 0.8 | C42Q2185-9S**** |
| 0.0012 | 10.5 | 9.0 | 4.0 | 7.5 | 0.6 | C42Q2122-30**** | 0.012 | 17.5 | 9.5 | 5.0 | 15.0 | 0.6 | C42Q2123-6A**** | 2.2 | 26.5 | 24.5 | 15.5 | 22.5 | 0.8 | C42Q2225-9S**** |
| 0.0015 | 10.5 | 9.0 | 4.0 | 7.5 | 0.6 | C42Q2152-30**** | 0.015 | 17.5 | 9.5 | 5.0 | 15.0 | 0.6 | C42Q2153-6A**** | 2.2 | 26.5 | 29.5 | 14.5 | 22.5 | 0.8 | C42Q2225-9A**** |
| 0.0018 | 10.5 | 9.0 | 4.0 | 7.5 | 0.6 | C42Q2182-30**** | 0.018 | 17.5 | 9.5 | 5.0 | 15.0 | 0.6 | C42Q2183-6A**** | 0.39 | 32.0 | 18.0 | 9.0 | 27.5 | 0.8 | C42Q2394-B0**** |
| 0.0022 | 10.5 | 9.0 | 4.0 | 7.5 | 0.6 | C42Q2222-30**** | 0.022 | 17.5 | 9.5 | 5.0 | 15.0 | 0.6 | C42Q2223-6A**** | 0.47 | 32.0 | 18.0 | 9.0 | 27.5 | 0.8 | C42Q2474-B0**** |
| 0.0027 | 10.5 | 9.0 | 4.0 | 7.5 | 0.6 | C42Q2272-30**** | 0.027 | 17.5 | 9.5 | 5.0 | 15.0 | 0.6 | C42Q2273-6A**** | 0.56 | 32.0 | 18.0 | 9.0 | 27.5 | 0.8 | C42Q2564-B0**** |
| 0.0033 | 10.5 | 9.0 | 4.0 | 7.5 | 0.6 | C42Q2332-30**** | 0.033 | 17.5 | 9.5 | 5.0 | 15.0 | 0.6 | C42Q2333-6A**** | 0.68 | 32.0 | 18.0 | 9.0 | 27.5 | 0.8 | C42Q2684-B0**** |
| 0.0039 | 10.5 | 9.0 | 4.0 | 7.5 | 0.6 | C42Q2392-30**** | 0.039 | 17.5 | 9.5 | 5.0 | 15.0 | 0.6 | C42Q2393-6A**** | 0.82 | 32.0 | 18.0 | 9.0 | 27.5 | 0.8 | C42Q2824-BS**** |
| 0.0047 | 10.5 | 9.0 | 4.0 | 7.5 | 0.6 | C42Q2472-30**** | 0.047 | 17.5 | 9.5 | 5.0 | 15.0 | 0.6 | C42Q2473-6A**** | 1.0 | 32.0 | 18.0 | 9.0 | 27.5 | 0.8 | C42Q2105-9A**** |
| 0.0056 | 10.5 | 9.0 | 4.0 | 7.5 | 0.6 | C42Q2562-30**** | 0.056 | 17.5 | 9.5 | 5.0 | 15.0 | 0.6 | C42Q2563-6A**** | 1.0 | 32.0 | 12.0 | 18.0 | 27.5 | 0.8 | C42Q2105-BC**** |
| 0.0068 | 10.5 | 9.0 | 4.0 | 7.5 | 0.6 | C42Q2682-30**** | 0.068 | 17.5 | 9.5 | 5.0 | 15.0 | 0.6 | C42Q2683-6A**** | 1.2 | 32.0 | 20.0 | 11.0 | 27.5 | 0.8 | C42Q2125-BS**** |
| 0.0082 | 10.5 | 9.0 | 4.0 | 7.5 | 0.6 | C42Q2822-30**** | 0.082 | 17.5 | 9.5 | 5.0 | 15.0 | 0.6 | C42Q2823-6A**** | 1.5 | 32.0 | 20.0 | 11.0 | 27.5 | 0.8 | C42Q2155-BS**** |
| 0.010 | 10.5 | 9.0 | 4.0 | 7.5 | 0.6 | C42Q2103-30**** | 0.10M | 17.5 | 9.5 | 5.0 | 15.0 | 0.6 | C42Q2104M6A**** | 1.8 | 32.0 | 22.0 | 13.0 | 27.5 | 0.8 | C42Q2185-BS**** |
| 0.012 | 10.5 | 9.0 | 4.0 | 7.5 | 0.6 | C42Q2123-30**** | 0.10 | 17.5 | 11.0 | 5.0 | 15.0 | 0.6 | C42Q2104-6S**** | 2.2M | 32.0 | 22.0 | 13.0 | 27.5 | 0.8 | C42Q2225MBS**** |
| 0.015 | 10.5 | 9.0 | 4.0 | 7.5 | 0.6 | C42Q2153-30**** | 0.12 | 17.5 | 11.0 | 5.0 | 15.0 | 0.6 | C42Q2124-6S**** | 2.2K | 32.0 | 25.0 | 13.0 | 27.5 | 0.8 | C42Q2225KBS**** |
| 0.018 | 10.5 | 9.0 | 4.0 | 7.5 | 0.6 | C42Q2183-30**** | 0.15M | 17.5 | 11.0 | 5.0 | 15.0 | 0.6 | C42Q2154M6S**** | ★2.2 | 32.0 | 16.0 | 22.0 | 27.5 | 0.8 | C42Q2225-BC**** |
| 0.022 | 10.5 | 9.0 | 4.0 | 7.5 | 0.6 | C42Q2223-3S**** | 0.15K | 17.5 | 12.0 | 6.0 | 15.0 | 0.6 | C42Q2154K6S**** | 2.7 | 32.0 | 28.0 | 14.0 | 27.5 | 0.8 | C42Q2275-BS**** |
| 0.027 | 10.5 | 9.0 | 4.0 | 7.5 | 0.6 | C42Q2273-3S**** | 0.18 | 17.5 | 12.0 | 6.0 | 15.0 | 0.6 | C42Q2184-6S**** | 3.3 | 32.0 | 30.0 | 16.0 | 27.5 | 0.8 | C42Q2335-BA**** |
| 0.033 | 10.5 | 11.0 | 5.0 | 7.5 | 0.6 | C42Q2333-3S**** | 0.22M | 17.5 | 12.0 | 6.0 | 15.0 | 0.6 | C42Q2224M6S**** | 3.3M | 32.0 | 24.5 | 15.0 | 27.5 | 0.8 | C42Q2335MBS**** |
| 0.039 | 10.5 | 11.0 | 5.0 | 7.5 | 0.6 | C42Q2393-3S**** | 0.22K | 17.5 | 13.5 | 6.0 | 15.0 | 0.6 | C42Q2224K6B**** | 3.3K | 32.0 | 28.0 | 17.0 | 27.5 | 0.8 | C42Q2335KBS**** |
| 0.047 | 10.5 | 11.0 | 5.0 | 7.5 | 0.6 | C42Q2473-3S**** | 0.22K | 17.5 | 12.0 | 7.0 | 15.0 | 0.6 | C42Q2224K6C**** | ★3.3M | 32.0 | 16.0 | 27.5 | 27.5 | 0.8 | C42Q2335MBC**** |
| 0.056 | 10.5 | 12.0 | 6.0 | 7.5 | 0.6 | C42Q2563-3S**** | 0.22K | 17.5 | 13.5 | 7.5 | 15.0 | 0.6 | C42Q2224K6S**** | ★3.3K | 32.0 | 18.5 | 31.0 | 27.5 | 0.8 | C42Q2335KBC**** |
| 0.068 | 10.5 | 12.0 | 6.0 | 7.5 | 0.6 | C42Q2683-3S**** | 0.27 | 17.5 | 13.5 | 7.5 | 15.0 | 0.6 | C42Q2274-6S**** | 3.9 | 32.0 | 29.0 | 19.0 | 27.5 | 0.8 | C42Q2395-BA**** |
| 0.0047 | 13.0 | 9.0 | 4.0 | 10.0 | 0.6 | C42Q2472-40**** | 0.33M | 17.5 | 13.5 | 7.5 | 15.0 | 0.6 | C42Q2334M6S**** | 3.9 | 32.0 | 33.0 | 18.0 | 27.5 | 0.8 | C42Q2395-BS**** |
| 0.0056 | 13.0 | 9.0 | 4.0 | 10.0 | 0.6 | C42Q2562-40**** | 0.33K | 17.5 | 14.0 | 8.0 | 15.0 | 0.6 | C42Q2334K6S**** | 4.7M | 32.0 | 33.0 | 18.0 | 27.5 | 0.8 | C42Q2475MBS**** |
| 0.0068 | 13.0 | 9.0 | 4.0 | 10.0 | 0.6 | C42Q2682-40**** | 0.33M | 17.5 | 12.5 | 9.0 | 15.0 | 0.6 | C42Q2334M6A**** | ★4.7M | 32.0 | 18.5 | 31.0 | 27.5 | 0.8 | C42Q2475MBC**** |
| 0.0082 | 13.0 | 9.0 | 4.0 | 10.0 | 0.6 | C42Q2822-40**** | 0.33M | 17.5 | 17.5 | 6.0 | 15.0 | 0.6 | C42Q2334M6B**** | 4.7K | 32.0 | 33.0 | 18.0 | 27.5 | 0.8 | C42Q2475KBA**** |
| 0.010 | 13.0 | 9.0 | 4.0 | 10.0 | 0.6 | C42Q2103-40**** | 0.33K | 17.5 | 18.5 | 7.5 | 15.0 | 0.8 | C42Q2334K6A**** | ★4.7 | 32.0 | 30.0 | 21.0 | 27.5 | 0.8 | C42Q2475-BB**** |
| 0.012 | 13.0 | 9.0 | 4.0 | 10.0 | 0.6 | C42Q2123-40**** | 0.33 | 17.5 | 12.0 | 13.0 | 15.0 | 0.8 | C42Q2334-6C**** | 5.6 | 32.0 | 37.0 | 22.0 | 27.5 | 0.8 | C42Q2565-BS**** |
| 0.015 | 13.0 | 9.0 | 4.0 | 10.0 | 0.6 | C42Q2153-40**** | 0.39 | 17.5 | 14.5 | 8.5 | 15.0 | 0.6 | C42Q2394-6S**** | 6.8M | 32.0 | 37.0 | 22.0 | 27.5 | 0.8 | C42Q2685MBS**** |
| 0.018 | 13.0 | 9.0 | 4.0 | 10.0 | 0.6 | C42Q2183-40**** | 0.47M | 17.5 | 14.5 | 8.5 | 15.0 | 0.6 | C42Q2474M6S**** | 1.5 | 41.0 | 22.0 | 11.0 | 37.5 | 1.0 | C42Q2155-FS**** |
| 0.022 | 13.0 | 9.0 | 4.0 | 10.0 | 0.6 | C42Q2223-40**** | 0.47M | 17.5 | 18.5 | 7.5 | 15.0 | 0.8 | C42Q2474M6A**** | 1.8 | 41.0 | 22.0 | 11.0 | 37.5 | 1.0 | C42Q2185-FS**** |
| 0.027 | 13.0 | 9.0 | 4.0 | 10.0 | 0.6 | C42Q2273-40**** | 0.47K | 17.5 | 16.0 | 10.0 | 15.0 | 0.8 | C42Q2474K6S**** | 2.2 | 41.0 | 24.0 | 13.0 | 37.5 | 1.0 | C42Q2225-FS**** |
| 0.033 | 13.0 | 9.0 | 4.0 | 10.0 | 0.6 | C42Q2333-4S**** | 0.56 | 17.5 | 16.0 | 10.0 | 15.0 | 0.8 | C42Q2564-6A**** | 2.2 | 42.0 | 15.0 | 24.0 | 37.5 | 1.0 | C42Q2225-FC**** |
| 0.039 | 13.0 | 9.0 | 4.0 | 10.0 | 0.6 | C42Q2393-4S**** | 0.60 | 17.5 | 19.0 | 11.0 | 15.0 | 0.8 | C42Q2604-6S**** | 2.7 | 41.0 | 24.0 | 13.0 | 37.5 | 1.0 | C42Q2275-FS**** |
| 0.047 | 13.0 | 9.0 | 4.0 | 10.0 | 0.6 | C42Q2473-4S**** | 0.68 | 17.5 | 19.0 | 11.0 | 15.0 | 0.8 | C42Q2684-6S**** | 3.3 | 41.0 | 26.0 | 15.0 | 37.5 | 1.0 | C42Q2335-FA**** |
| 0.056 | 13.0 | 11.0 | 5.0 | 10.0 | 0.6 | C42Q2563-4S**** | 0.82M | 17.5 | 19.0 | 11.0 | 15.0 | 0.8 | C42Q2824M6S**** | 3.3 | 42.0 | 28.0 | 14.0 | 37.5 | 1.0 | C42Q2335-FS**** |
| 0.068 | 13.0 | 11.0 | 5.0 | 10.0 | 0.6 | C42Q2683-4S**** | 0.15 | 26.5 | 15.0 | 6.0 | 22.5 | 0.8 | C42Q2154-90**** | 3.3 | 42.0 | 15.0 | 24.0 | 37.5 | 1.0 | C42Q2335-FC**** |
| 0.082 | 13.0 | 11.0 | 5.0 | 10.0 | 0.6 | C42Q2823-4S**** | 0.18 | 26.5 | 15.0 | 6.0 | 22.5 | 0.8 | C42Q2184-90**** | 3.9 | 41.0 | 30.0 | 16.0 | 37.5 | 1.0 | C42Q2395-FS**** |
| 0.10M | 13.0 | 11.0 | 5.0 | 10.0 | 0.6 | C42Q2104M4S**** | 0.22 | 26.5 | 15.0 | 6.0 | 22.5 | 0.8 | C42Q2224-9S**** | 4.7M | 42.0 | 19.0 | 24.0 | 37.5 | 1.0 | C42Q2475MFC**** |
| 0.10K | 13.0 | 12.0 | 6.0 | 10.0 | 0.6 | C42Q2104K4S**** | 0.27 | 26.5 | 15.0 | 6.0 | 22.5 | 0.8 | C42Q2274-9S**** | 4.7K | 41.0 | 20.0 | 26.0 | 37.5 | 1.0 | C42Q2475KFC**** |
| 0.12 | 13.0 | 13.0 | 7.0 | 10.0 | 0.6 | C42Q2124-4S**** | 0.33 | 26.5 | 15.0 | 6.0 | 22.5 | 0.8 | C42Q2334-9S**** | 4.7 | 41.0 | 30.0 | 16.0 | 37.5 | 1.0 | C42Q2475-FS**** |
| 0.15 | 13.0 | 13.0 | 7.0 | 10.0 | 0.6 | C42Q2154-4S**** | 0.39 | 26.5 | 15.0 | 6.0 | 22.5 | 0.8 | C42Q2394-9S**** | 5.6 | 41.0 | 33.5 | 18.5 | 37.5 | 1.0 | C42Q2565-FS**** |
| 0.18 | 13.0 | 14.0 | 8.0 | 10.0 | 0.6 | C42Q2184-4S**** | 0.47M | 26.5 | 15.0 | 6.0 | 22.5 | 0.8 | C42Q2474M9S**** | 6.8 | 41.0 | 33.5 | 18.5 | 37.5 | 1.0 | C42Q2685-FS**** |
| 0.22M | 13.0 | 14.0 | 8.0 | 10.0 | 0.6 | C42Q2224M4S**** | 0.47K | 26.5 | 16.0 | 7.0 | 22.5 | 0.8 | C42Q2474K9S**** | 6.8 | 42.0 | 24.0 | 32.0 | 37.5 | 1.0 | C42Q2685-FC**** |
| 0.22K | 13.0 | 17.0 | 8.0 | 10.0 | 0.6 | C42Q2224K4A**** | 0.56 | 26.5 | 16.0 | 7.0 | 22.5 | 0.8 | C42Q2564-9S**** | 8.2 | 41.0 | 37.0 | 22.0 | 37.5 | 1.0 | C42Q2825-FS**** |
| | | | | | | | 0.60 | 26.5 | 17.0 | 8.5 | 22.5 | 0.8 | C42Q2604-9S**** | 10.0M | 41.0 | 37.0 | 22.0 | 37.5 | 1.0 | C42Q2106MFS**** |
| | | | | | | | 0.68 | 26.5 | 17.0 | 8.5 | 22.5 | 0.8 | C42Q2684-9S**** | 10.0K | 41.0 | 41.0 | 26.0 | 37.5 | 1.0 | C42Q2106KFS**** |
| | | | | | | | 0.82 | 26.5 | 18.5 | 10.0 | 22.5 | 0.8 | C42Q2824-9S**** | 10.0K | 41.5 | 37.5 | 27.5 | 37.5 | 1.0 | C42Q2106KFA**** |
| | | | | | | | 1.0 | 26.5 | 18.5 | 10.0 | 22.5 | 0.8 | C42Q2105-9S**** | 12.0 | 41.0 | 43.0 | 28.0 | 37.5 | 1.0 | C42Q2126-FS**** |
| | | | | | | | 1.2 | 26.5 | 20.0 | 11.0 | 22.5 | 0.8 | C42Q2125-9S**** | 15.0 | 42.0 | 45.0 | 30.0 | 37.5 | 1.0 | C42Q2156-FS**** |
| | | | | | | | 1.5M | 26.5 | 20.0 | 11.0 | 22.5 | 0.8 | C42Q2155M9S**** | 20.0 | 42.0 | 57.5 | 30.0 | 37.5 | 1.0 | C42Q2206-FS**** |
| | | | | | | | 1.5K | 26.5 | 22.0 | 12.0 | 22.5 | 0.8 | C42Q2155K9S**** | 20.0 | 57.0 | 45.0 | 30.0 | 52.5 | 1.2 | C42Q2206-MST**** |
| | | | | | | | | | | | | | 20.0 | 57.0 | 30.0 | 44.0 | 52.5 | 1.2 | C42Q2206-MCT**** | |
| | | | | | | | | | | | | | 25.0 | 57.0 | 50.0 | 35.0 | 52.5 | 1.2 | C42Q2256-MST**** | |

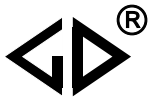
备注：1.“-”表示容量偏差。

2.“****”表示引线加工和包装代码（见 table 1）。

3.“#”当额定电压为 275Vac 时，第 4~5 位是 P2。

4.不用于与电源串联的场合，与电源串联用请参见降压专用电容器。

5.“★”表示外壳为圆弧底。



■ 外形尺寸
高性能型

| 305Vac/275Vac # | | | | | | | 305Vac/275Vac # | | | | | | |
|------------------|------|------|------|------|-----|---------------------|------------------|------|------|------|------|-----|---------------------|
| 容量 (μ F) | W | H | T | P | d | 产品代码 Part number | 容量 (μ F) | W | H | T | P | d | 产品代码 Part number |
| 0.022 | 10.5 | 9.0 | 4.0 | 7.5 | 0.6 | C42Q2223-30**** | 0.22 | 26.5 | 15.0 | 6.0 | 22.5 | 0.8 | C42Q2224-90**** |
| 0.027 | 10.5 | 11.0 | 5.0 | 7.5 | 0.6 | C42Q2273-30**** | 0.27 | 26.5 | 16.0 | 7.0 | 22.5 | 0.8 | C42Q2274-90**** |
| 0.033 | 10.5 | 11.0 | 5.0 | 7.5 | 0.6 | C42Q2333-30**** | 0.33 | 26.5 | 16.0 | 7.0 | 22.5 | 0.8 | C42Q2334-90**** |
| 0.039 | 10.5 | 12.0 | 6.0 | 7.5 | 0.6 | C42Q2393-30**** | 0.39 | 26.5 | 17.0 | 8.5 | 22.5 | 0.8 | C42Q2394-90**** |
| 0.047 | 10.5 | 12.0 | 6.0 | 7.5 | 0.6 | C42Q2473-30**** | 0.47 | 26.5 | 17.0 | 8.5 | 22.5 | 0.8 | C42Q2474-90**** |
| 0.033 | 13.0 | 11.0 | 5.0 | 10.0 | 0.6 | C42Q2333-40**** | 0.56 | 26.5 | 18.5 | 10.0 | 22.5 | 0.8 | C42Q2564-90**** |
| 0.039 | 13.0 | 11.0 | 5.0 | 10.0 | 0.6 | C42Q2393-40**** | 0.68 | 26.5 | 18.5 | 10.0 | 22.5 | 0.8 | C42Q2684-90**** |
| 0.047 | 13.0 | 11.0 | 5.0 | 10.0 | 0.6 | C42Q2473-40**** | 0.82 | 26.5 | 22.0 | 12.0 | 22.5 | 0.8 | C42Q2824-90**** |
| 0.056 | 13.0 | 11.0 | 5.0 | 10.0 | 0.6 | C42Q2563-40**** | 1.0 | 26.5 | 22.0 | 12.0 | 22.5 | 0.8 | C42Q2105-90**** |
| 0.068 | 13.0 | 12.0 | 6.0 | 10.0 | 0.6 | C42Q2683-40**** | 1.2 | 26.5 | 24.5 | 15.5 | 22.5 | 0.8 | C42Q2125-90**** |
| 0.082 | 13.0 | 12.0 | 6.0 | 10.0 | 0.6 | C42Q2823-40**** | 1.5 | 26.5 | 24.5 | 15.5 | 22.5 | 0.8 | C42Q2155-90**** |
| 0.10 | 13.0 | 12.0 | 6.0 | 10.0 | 0.6 | C42Q2104-40**** | 0.82 | 32.0 | 20.0 | 11.0 | 27.5 | 0.8 | C42Q2824-B0**** |
| 0.12 | 13.0 | 14.0 | 8.0 | 10.0 | 0.6 | C42Q2124-40**** | 1.0 | 32.0 | 20.0 | 11.0 | 27.5 | 0.8 | C42Q2105-B0**** |
| 0.15 | 13.0 | 14.0 | 8.0 | 10.0 | 0.6 | C42Q2154-40**** | 1.2 | 32.0 | 22.0 | 13.0 | 27.5 | 0.8 | C42Q2125-B0**** |
| 0.010 | 17.5 | 11.0 | 5.0 | 15.0 | 0.8 | C42Q2103-60**** | 1.5 | 32.0 | 22.0 | 13.0 | 27.5 | 0.8 | C42Q2155-B0**** |
| 0.012 | 17.5 | 11.0 | 5.0 | 15.0 | 0.8 | C42Q2123-60**** | 1.8 | 32.0 | 24.5 | 15.0 | 27.5 | 0.8 | C42Q2185-B0**** |
| 0.015 | 17.5 | 11.0 | 5.0 | 15.0 | 0.8 | C42Q2153-60**** | 2.2 | 32.0 | 28.0 | 14.0 | 27.5 | 0.8 | C42Q2225-B0**** |
| 0.018 | 17.5 | 11.0 | 5.0 | 15.0 | 0.8 | C42Q2183-60**** | 2.7 | 32.0 | 33.0 | 18.0 | 27.5 | 0.8 | C42Q2275-B0**** |
| 0.022 | 17.5 | 11.0 | 5.0 | 15.0 | 0.8 | C42Q2223-60**** | 3.3 | 32.0 | 33.0 | 18.0 | 27.5 | 0.8 | C42Q2335-B0**** |
| 0.027 | 17.5 | 11.0 | 5.0 | 15.0 | 0.8 | C42Q2273-60**** | 3.9 | 32.0 | 37.0 | 22.0 | 27.5 | 0.8 | C42Q2395-B0**** |
| 0.033 | 17.5 | 11.0 | 5.0 | 15.0 | 0.8 | C42Q2333-60**** | 4.7 | 32.0 | 37.0 | 22.0 | 27.5 | 0.8 | C42Q2475-B0**** |
| 0.039 | 17.5 | 11.0 | 5.0 | 15.0 | 0.8 | C42Q2393-60**** | 1.5 | 41.0 | 22.0 | 11.0 | 37.5 | 1.0 | C42Q2155-F0**** |
| 0.047 | 17.5 | 11.0 | 5.0 | 15.0 | 0.8 | C42Q2473-60**** | ★1.8 | 41.0 | 26.0 | 12.0 | 37.5 | 1.0 | C42Q2185-F0**** |
| 0.056 | 17.5 | 11.0 | 5.0 | 15.0 | 0.8 | C42Q2563-60**** | ★2.2M | 41.0 | 26.0 | 12.0 | 37.5 | 1.0 | C42Q2225MF0**** |
| 0.068 | 17.5 | 11.0 | 5.0 | 15.0 | 0.8 | C42Q2683-60**** | 2.2K | 42.0 | 28.0 | 14.0 | 37.5 | 1.0 | C42Q2225KF0**** |
| 0.082 | 17.5 | 11.0 | 5.0 | 15.0 | 0.8 | C42Q2823-60**** | 2.7 | 42.0 | 28.0 | 14.0 | 37.5 | 1.0 | C42Q2275-F0**** |
| 0.10 | 17.5 | 11.0 | 5.0 | 15.0 | 0.8 | C42Q2104-60**** | 3.3 | 41.0 | 30.0 | 16.0 | 37.5 | 1.0 | C42Q2335-F0**** |
| 0.12 | 17.5 | 12.0 | 6.0 | 15.0 | 0.8 | C42Q2124-60**** | 3.9 | 41.0 | 32.0 | 17.0 | 37.5 | 1.0 | C42Q2395-F0**** |
| 0.15 | 17.5 | 12.0 | 6.0 | 15.0 | 0.8 | C42Q2154-60**** | 4.7 | 41.0 | 33.5 | 18.5 | 37.5 | 1.0 | C42Q2475-F0**** |
| 0.18 | 17.5 | 13.5 | 7.5 | 15.0 | 0.8 | C42Q2184-60**** | 5.6 | 41.0 | 37.0 | 22.0 | 37.5 | 1.0 | C42Q2565-F0**** |
| 0.22 | 17.5 | 13.5 | 7.5 | 15.0 | 0.8 | C42Q2224-60**** | 6.8 | 41.0 | 37.0 | 22.0 | 37.5 | 1.0 | C42Q2685-F0**** |
| 0.27 | 17.5 | 14.5 | 8.5 | 15.0 | 0.8 | C42Q2274-60**** | 8.2 | 41.0 | 41.0 | 26.0 | 37.5 | 1.0 | C42Q2825-F0**** |
| 0.33 | 17.5 | 16.0 | 10.0 | 15.0 | 0.8 | C42Q2334-60**** | 10.0 | 41.0 | 43.0 | 28.0 | 37.5 | 1.0 | C42Q2106-F0**** |
| 0.39 | 17.5 | 19.0 | 11.0 | 15.0 | 0.8 | C42Q2394-60**** | | | | | | | |
| 0.47 | 17.5 | 19.0 | 11.0 | 15.0 | 0.8 | C42Q2474-60**** | | | | | | | |

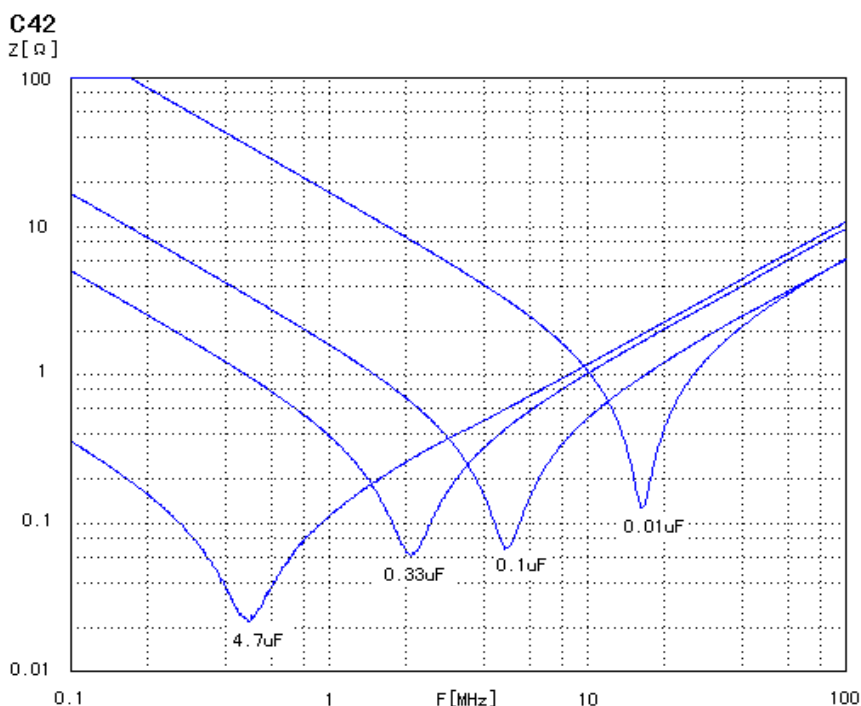
- 备注：1.“-”表示容量偏差。
 2.“****”表示引线加工和包装代码（见 table 1）。
 3.“#”当额定电压为 275Vac 时，第 4~5 位是 P2。
 4.不用于与电源串联的场合，与电源串联用请参见降压专用电容器。
 5.“★”表示外壳为圆弧底。

■ 最大可允许脉冲爬升速率(V/us)

| 额定电压 (Vac) | dV/dt(V/us) at 440 Vdc | | | | | | |
|---------------|------------------------|--------|--------|----------|----------|----------|----------|
| | P=7.5mm | P=10mm | P=15mm | P=22.5mm | P=27.5mm | P=37.5mm | P=52.5mm |
| 305/275 | 500 | 500 | 400 | 200 | 150 | 100 | 50 |

备注:

- 1、工作电压是额定电压时满足以上(dV/dt)_R
- 2、若工作电压(U)低于额定电压(U_R), 电容器可以工作于更高 dV/dt 条件, 满足 $dV/dt=(dV/dt)_R*(U_R/U)$.

■ 阻抗和频率关系 Z=f(f)的典型曲线

■ 品质保证 (产品出厂检查) 试验

| 检查项目 (每批) | 检查水平 (GB/T 2828.1, ISO2859-1) | |
|-----------|-------------------------------|-------|
| | IL | AQL |
| 外观检查 | II | 1.5% |
| 外形尺寸 | | |
| 电容量 | II | 0.25% |
| 损耗角正切 | | |
| 耐电压 | | |
| 绝缘电阻 | S-3 | 2.5% |
| 可焊性 | | |

■ 测试方法及性能

| 序号 | 项目 | 性能 | 试验方法 (IEC 60384-14) |
|----|----------------|--|---|
| 1 | 4.5 可焊性 | 镀锡良好 | 焊料温度: 245°C±5°C 浸渍时间: 2.0s±0.5s |
| 2 | 4.3 引出端强度 (直脚) | 外观无可见损伤 | 拉力: 0.50<d≤0.80, 10N 0.80<d≤1.25, 20N 弯曲试验 Ub: 弯力: 0.50<d≤0.80, 5N 0.80<d≤1.25, 10N 每个方向上连续进行二次弯曲 |
| 3 | 4.4 耐焊接热 | 外观无可见损伤, 标识清晰 电容量变化 $ \Delta C /C \leq 5\%$ | 焊料温度: 260°C±5°C 浸渍时间: 10s±1s |
| 4 | 4.20 标志耐溶剂 | 标志应保持清晰 | 使用的溶剂: 工业异丙醇 溶剂温度: 23°C±5°C 浸渍时间: 5min±0.5min 条件: 带摩擦 摩擦材料: 脱脂棉 恢复时间: 不采用 |
| 5 | 4.2 初始测量 | 电容量、损耗角正切 | |
| | 4.6 温度快速变化 | 外观无可见损伤 | T _A =-40°C, T _B =+110°C 5次循环, 持续时间: t=30min |
| | 4.7 振动 (直脚) | 外观无可见损伤 | 振幅 0.75mm 或加速度 98m/s ² (取严酷度较小者), 频率 10Hz~500Hz 三个方向, 每个方向 2h, 共 6h |
| | 4.8 碰撞 (直脚) | 外观无可见损伤 | 4000 次, 加速度 400m/s ² , 脉冲持续时间: 6ms |
| | 最后测量 | 外观无可见损伤 电容量变化 $ \Delta C /C \leq 5\%$ | |
| 6 | 4.11 气候顺序 | 初始测量 | |
| | | 干热 | +110°C, 16h |
| | | 循环湿热 | 试验 Db, 严酷度 b, 第一次循环 |
| | | 寒冷 | -40°C, 2h |
| | | 循环湿热 | 试验 Db, 严酷度 b, 其余循环 |
| | | 最后测量 | 外观无可见损伤, 标志清晰, 电容量变化: $\Delta C/C \leq$ 初始测量值的±5%, 损耗角正切增加: C _R ≤1μF: ≤0.008 (10kHz) C _R >1μF: ≤0.005 (1kHz) 耐电压: 无永久性击穿或飞弧 绝缘电阻 IR: ≥额定值的 50% |

| 序号 | 项目 | 性能 | 试验方法 (IEC 60384-14) |
|----|------------|--|---|
| 7 | 4.12 稳态湿热 | 外观无可见损伤, 标志清晰, 电容量变化: $\Delta C/C \leq$ 初始测量值的 $\pm 5\%$, 损耗角正切增加: $C_R \leq 1\mu\text{F}$: ≤ 0.008 (10kHz) $C_R > 1\mu\text{F}$: ≤ 0.005 (1kHz) 耐电压: 无永久性击穿或飞弧 绝缘电阻 IR: \geq 额定值的 50% | 温度: $40^\circ\text{C} \pm 2^\circ\text{C}$ 湿度: $93 \pm 3\% \text{RH}$ 持续时间: 56 天 |
| 8 | 4.13 脉冲电压 | 用监视器监视, 有三次或更多次的脉冲波形表示电容器未发生自愈性击穿 | 每个电容器施加 24 次相同极性的脉冲 (如果监视器显示有三次连续的脉冲波形表示电容器未发生自愈性击穿, 则可停止施加脉冲), 脉冲间隔时间不少于 10s, 脉冲电压峰值 2.5kV (适用于 $C_R \leq 1\mu\text{F}$; $C_R > 1\mu\text{F}$ 时, 承受的脉冲电压为 $2.5/\sqrt{C_R}$ kV) |
| 9 | 4.14 耐久性 | 外观无可见损伤, 标志清晰 电容量变化 $ \Delta C /C \leq 10\%$ $\text{tg}\delta$ 的增加: $C_R \leq 1\mu\text{F}$: ≤ 0.008 (10kHz) $C_R > 1\mu\text{F}$: ≤ 0.005 (1kHz) 耐电压: 无永久性击穿或飞弧 绝缘电阻 IR: \geq 额定值的 50% | $+110^\circ\text{C}$, $1.25U_R$, 1000h 期间, 每隔一小时将电压升高到 1000Vrms, 持续时间 0.1s |
| 10 | 4.15 充电和放电 | 电容量变化 $ \Delta C /C: \leq 10\%$ $\text{tg}\delta$ 的增加: $C_R \leq 1\mu\text{F}$: ≤ 0.008 (10kHz) $C_R > 1\mu\text{F}$: ≤ 0.005 (1kHz) 绝缘电阻 IR: \geq 额定值的 50% | 次数: 10 000 次 充电持续时间: 0.5s 放电持续时间: 0.5s 充电电压: $\sqrt{2} U_R \text{ Vd.c.}$ 充电电阻: $220/C_R(\Omega)$ 或电流 $\leq 1\text{A}$ (取电流较小者) 放电电阻: $R = \frac{\sqrt{2} U_R}{C_R \times \frac{dU}{dt}} (\Omega) \quad dU/dt: 100\text{V}/\mu\text{s}$ C_R 为标称电容量(μF) |
| 11 | 4.17 阻燃性试验 | 离开火焰后, 任一电容器继续燃烧的时间不超过 10s, 且电容器燃烧的滴落物不应引燃在其下铺设的棉纸 | Ref.item 4.17 针焰试验, 可燃性类别 B, 在火焰上暴露一次 电容器体积: $250 < V(\text{mm}^3) \leq 500$, 在火焰上暴露时间为 20s 电容器体积: $500 < V(\text{mm}^3) \leq 1750$, 在火焰上暴露时间为 30s 电容器体积: $V(\text{mm}^3) > 1750$, 在火焰上暴露时间为 60s |

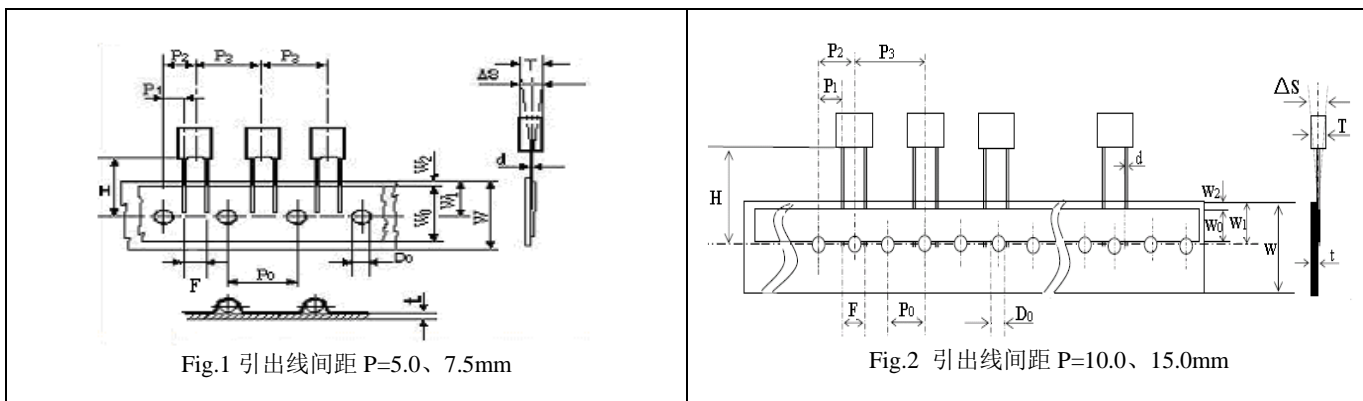
| 序号 | 项目 | 性能 | 试验方法 (IEC 60384-14) |
|----|----------|-------------------|--|
| 12 | 4.18 自燃性 | 缠绕在电容器上的纱布应不被火焰燃烧 | <p>样品用未处理过的纯棉布缠绕至少一层,但不能多于两层</p> <p>每一样品应能承受贮能电容器放电20次; 每两次放电之间的间隔应为5s。</p> <p>$U_i=2.5kV_0^{+7}\%$</p> <p>试验中样品两端一直施加 $U_R \pm 5\%$ 电压, 并在最后一次放电后保持 120_0^{+10} s, 除非熔断保险丝使电路开路。</p> |

■ 印章 (例)

| | |
|--|---|
| Fig.1 引出线间距 $P \leq 27.5\text{mm}$ | Fig.2 引出线间距 $P > 27.5\text{mm}$ |
|--|---|

符号说明:

| 符号 | 说明 | 符号 | 说明 |
|-------|----------|-------------|---------------|
| | 商标 | 40/110/56/B | 气候类别及阻燃等级 |
| MKP62 | 型号 | | ENEC-VDE 认证标志 |
| 305~ | 额定电压 | | CQC 认证标志 |
| X2 | 抗干扰类别 | | UL 及 CUL 认证标志 |
| 104K | 标称电容量及偏差 | L50002 | 生产批次信息 |

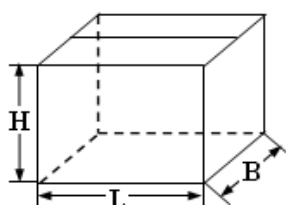
塑料外壳电容器径向编带说明
▲ 外形图

▲ 编带尺寸表 (mm)

| 技术指标名称 | 代号 | 尺寸 | | | | 误差 |
|---------------------------|----------------|--------------|--------------|-------------|--------------|--------------|
| | | P=5.0 | P=7.5 | P=10.0 | P=15.0 | |
| 编带类型 | — | 图 1 Fig 1 | 图 1 Fig 1 | 图 2 Fig2 | 图 2 Fig 2 | — |
| Part number Digit12-15 | Ammo-pack | A201 | A301 | A405 | A605 | |
| 电容器间距 | P ₃ | 12.7 | 12.7 | 25.4 | 25.4 | ±1.0 |
| 送带孔距 | P ₀ | 12.7 | 12.7 | 12.7 | 12.7 | ±0.2 |
| 引出线位置 | P ₁ | 3.85 | 2.6 | 7.7 | 5.2 | ±0.7 |
| 电容器本体位置 | P ₂ | 6.35 | 6.35 | 12.7 | 12.7 | ±1.3 |
| 引出线间距 | F** | 5.0 | 7.5 | 10.0 | 15.0 | +0.6 -0.1 |
| 电容器侧面倾斜 | △S | 0 | 0 | 0 | 0 | ±2.0 |
| 电容器底部至带孔中心距离 | H*** | 18.5 | 18.5 | 18.5 | 18.5 | ±0.5 |
| 纸带宽度 | W | 18.0 | 18.0 | 18.0 | 18.0 | +1.0 -0.5 |
| 胶带纸宽度 | W ₀ | 6min | 10min | 10min | 10min | — |
| 送带孔位置 | W ₁ | 9.0 | 9.0 | 9.0 | 9.0 | ±0.5 |
| 胶带纸位置 | W ₂ | 3max | 3max | 3max | 3max | — |
| 送带孔直径 | D ₀ | 4.0 | 4.0 | 4.0 | 4.0 | ±0.2 |
| 编带总厚度 | t | 0.7 | 0.7 | 0.7 | 0.9 | ±0.2 |

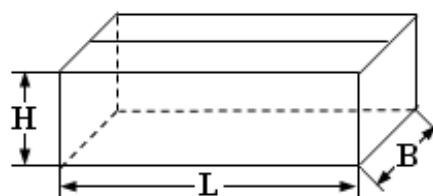
N
o
t
e:
*
P₀
=1
5
m
m
是
可
行
的
*
F
可
以
是
其

他间距

***H=16.5mm 是可行的

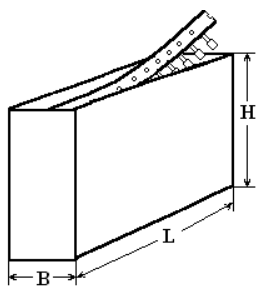
■ 包装箱尺寸(mm) (例)
1. 散装外包装箱尺寸


L: 375±5
B: 375±5
H: 265±5

2. 散装内包装箱尺寸


L: 355±3
B: 175±3
H: 118±3

3. 径向编带包装箱尺寸



L: 350 ± 3

B: 50 ± 3

H: 260 ± 3