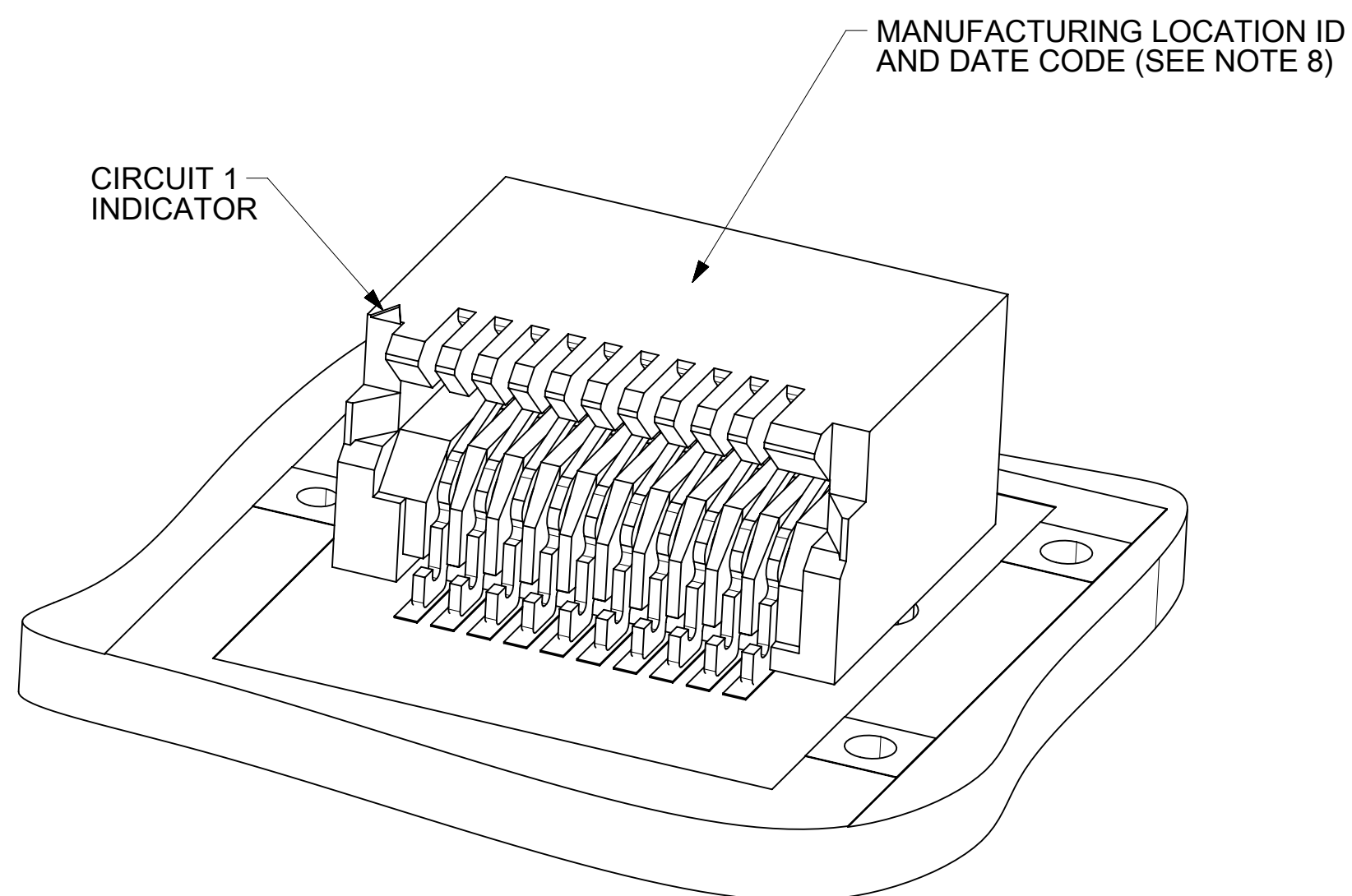


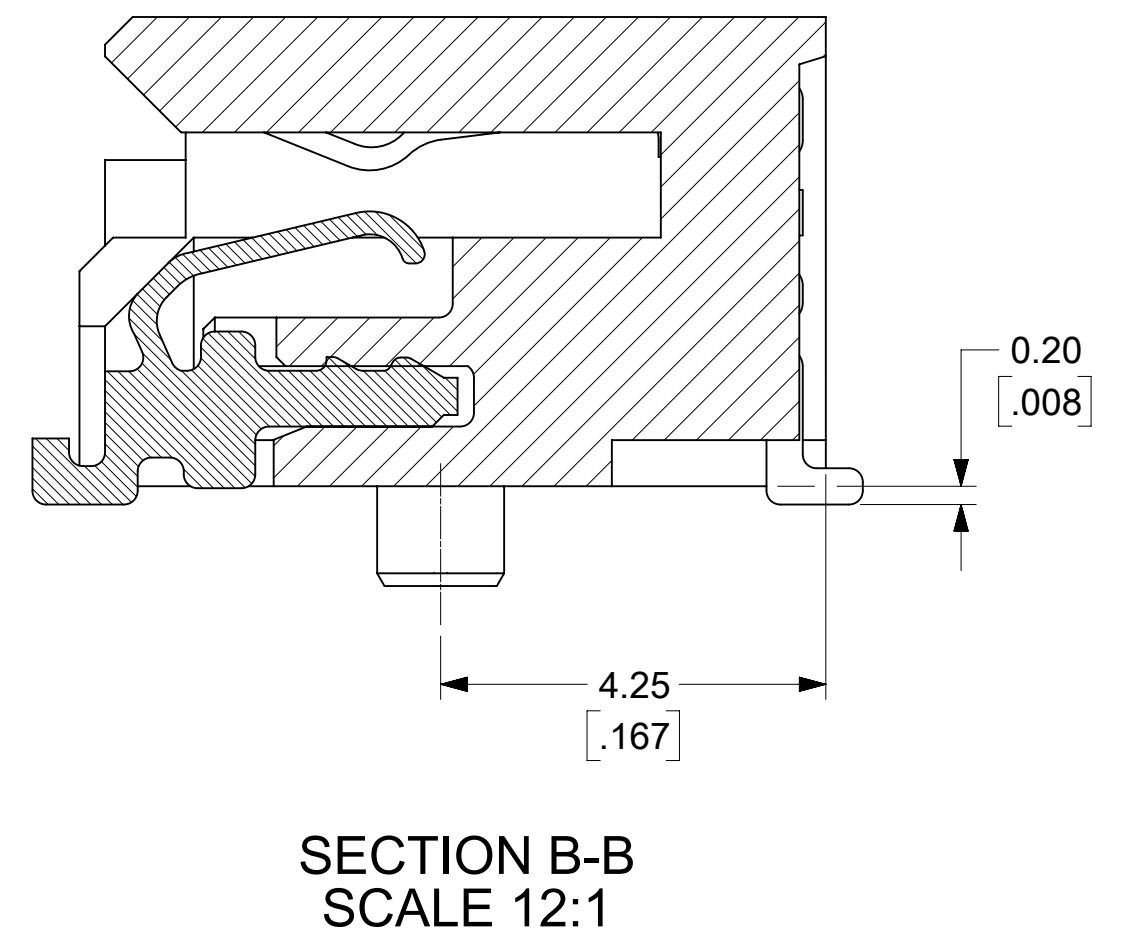
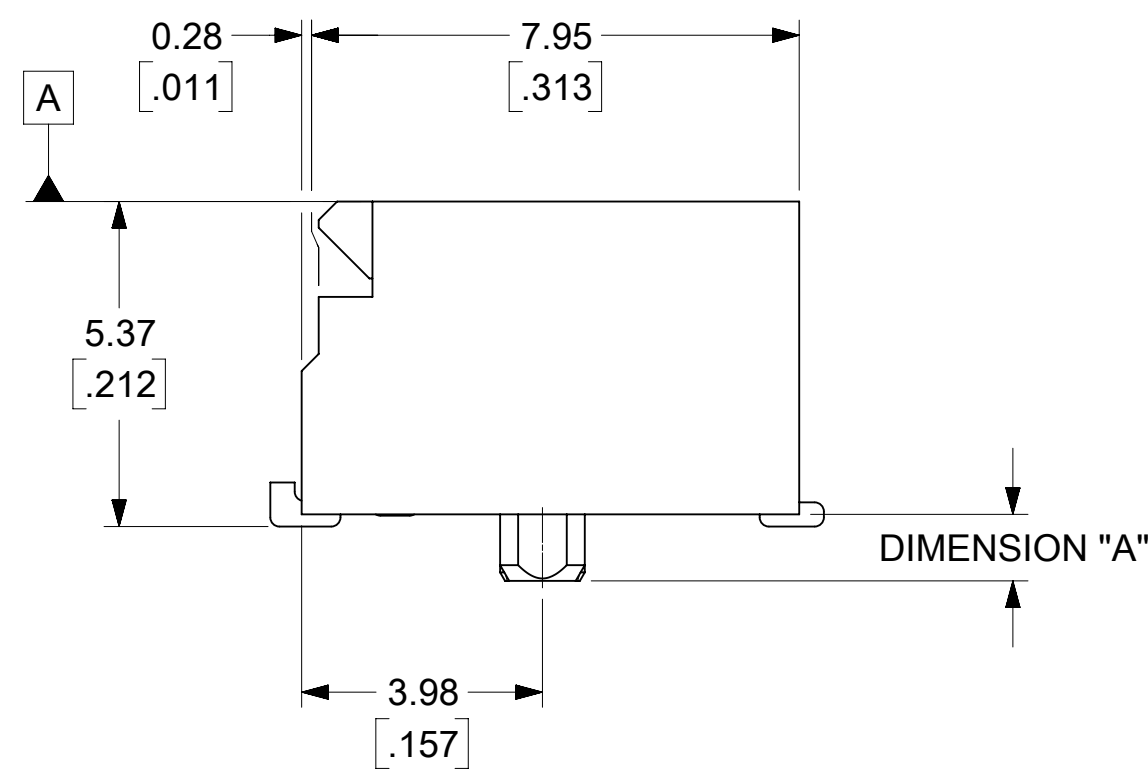
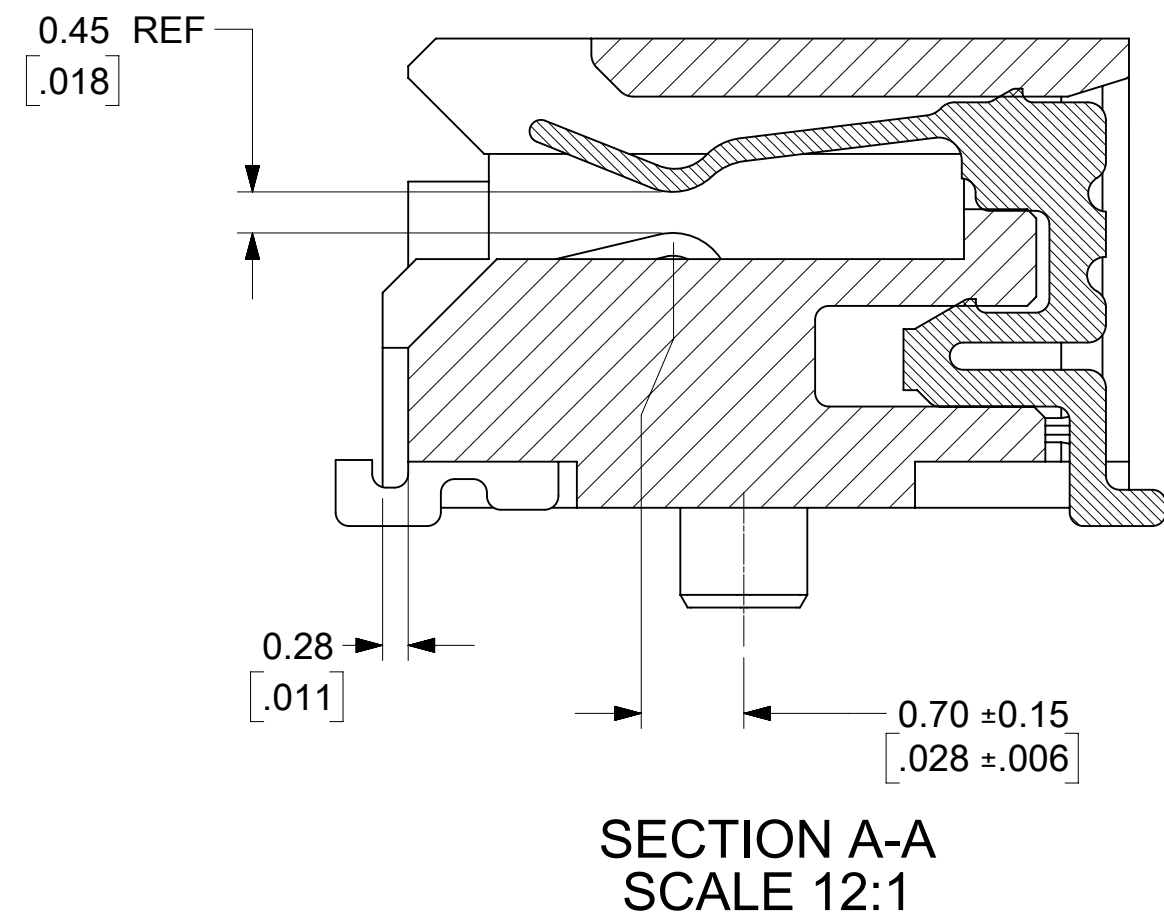
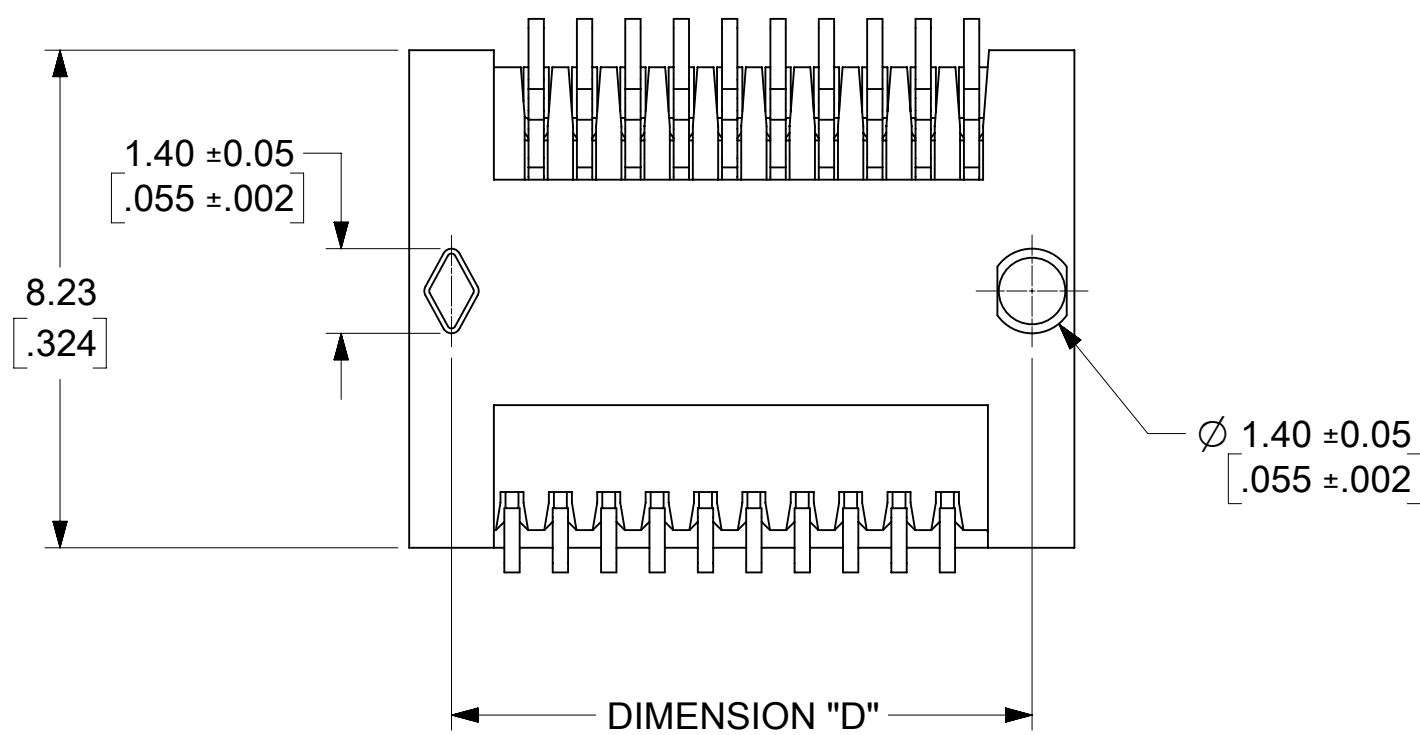
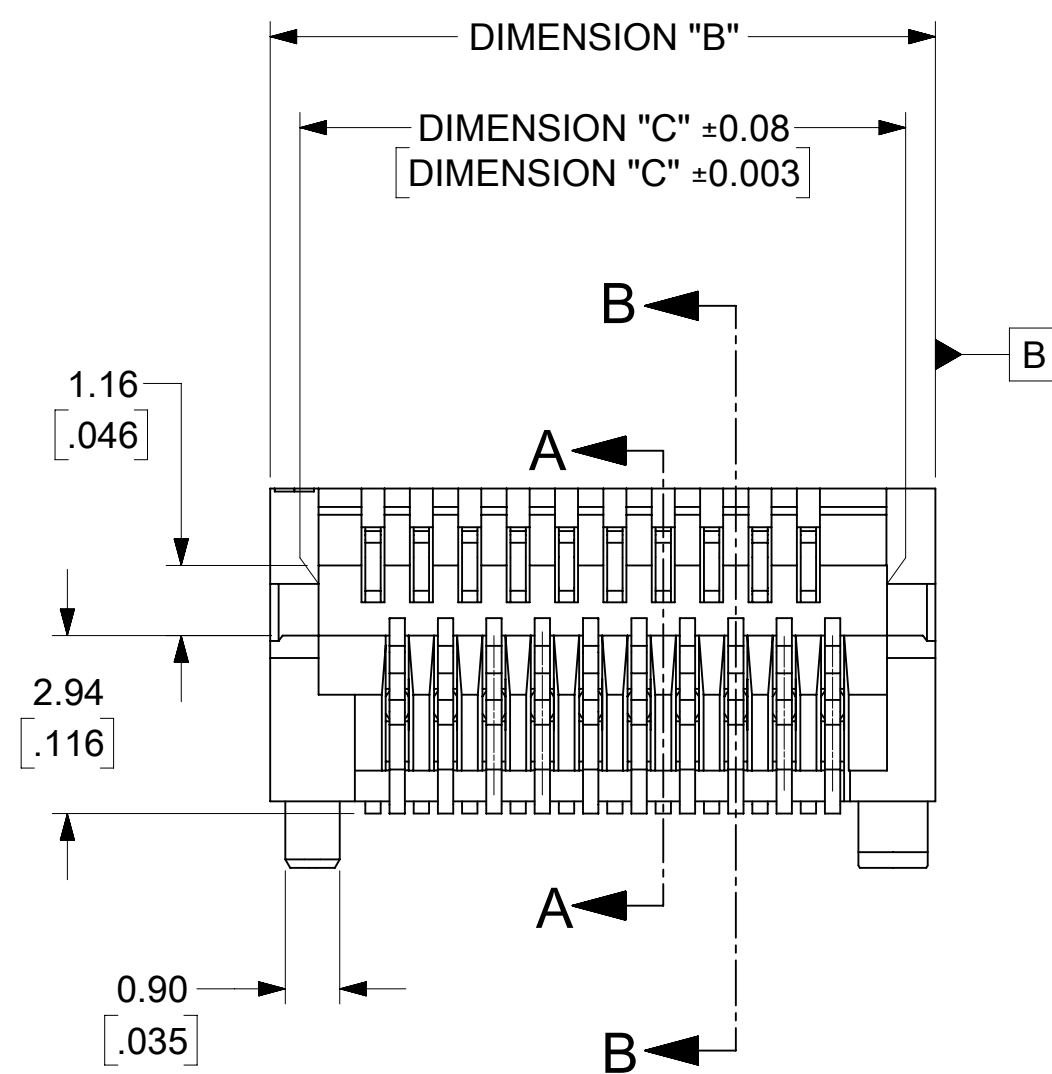
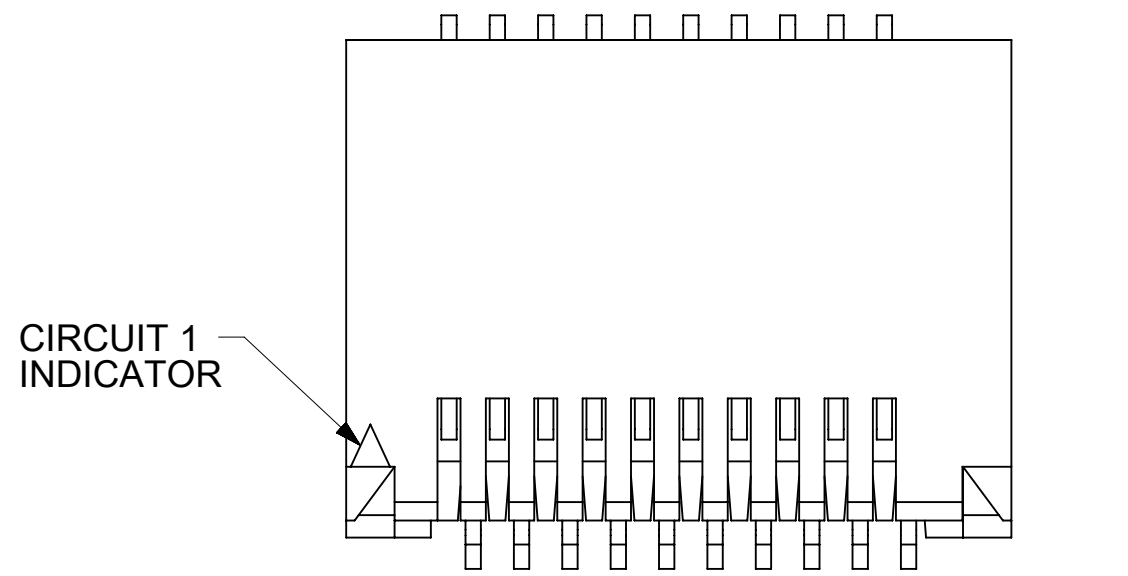
CKT SIZE	PART NUMBER	TOOLED	DESCRIPTION	DIMENSIONS				MULTI-SOURCE AGREEMENT	CIRCUIT BOARD LAYOUT
				"A"	"B"	"C"	"D"		
20	74441-0001	YES	PLATED PER NOTE 2	1.10/.043	11.00/.433	9.40/.370	9.60/.378	SFP	SEE SHEET 3
	74441-0004	NO*	PLATED PER NOTE 2	0.76/.030					
	74441-0010	YES	PLATED PER NOTE 3	1.10/.043					
	74441-0014	NO*	PLATED PER NOTE 3	0.76/.030					
	74441-0041	YES	PLATED PER NOTE 5	1.10/.043					
30	74441-0007	YES	PLATED PER NOTE 2	1.10/.043	15.00/.591	13.40/.528	13.60/.535	XFP	SEE SHEET 4
70	74441-0003	YES	PLATED PER NOTE 2	1.10/.043	31.00/1.220	29.40/1.517	29.60/1.165	XENPAK XPAK X2	SEE SHEET 5



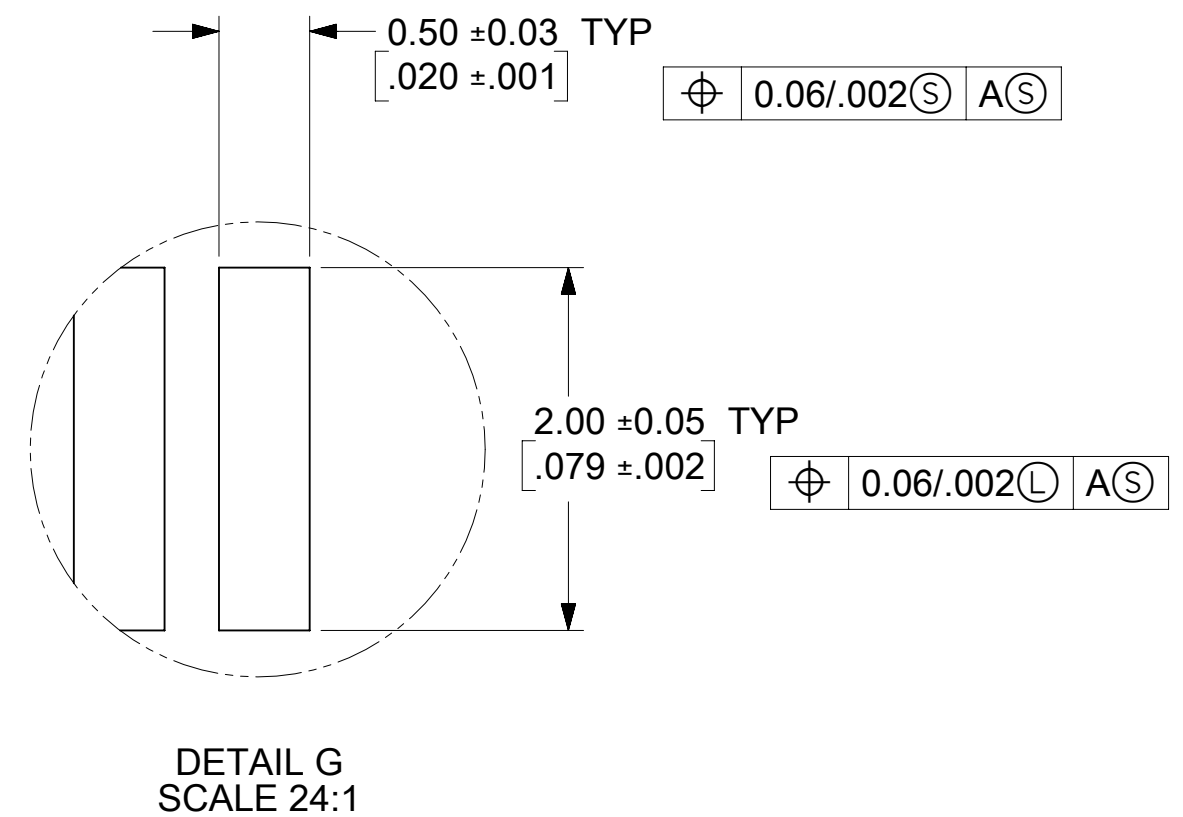
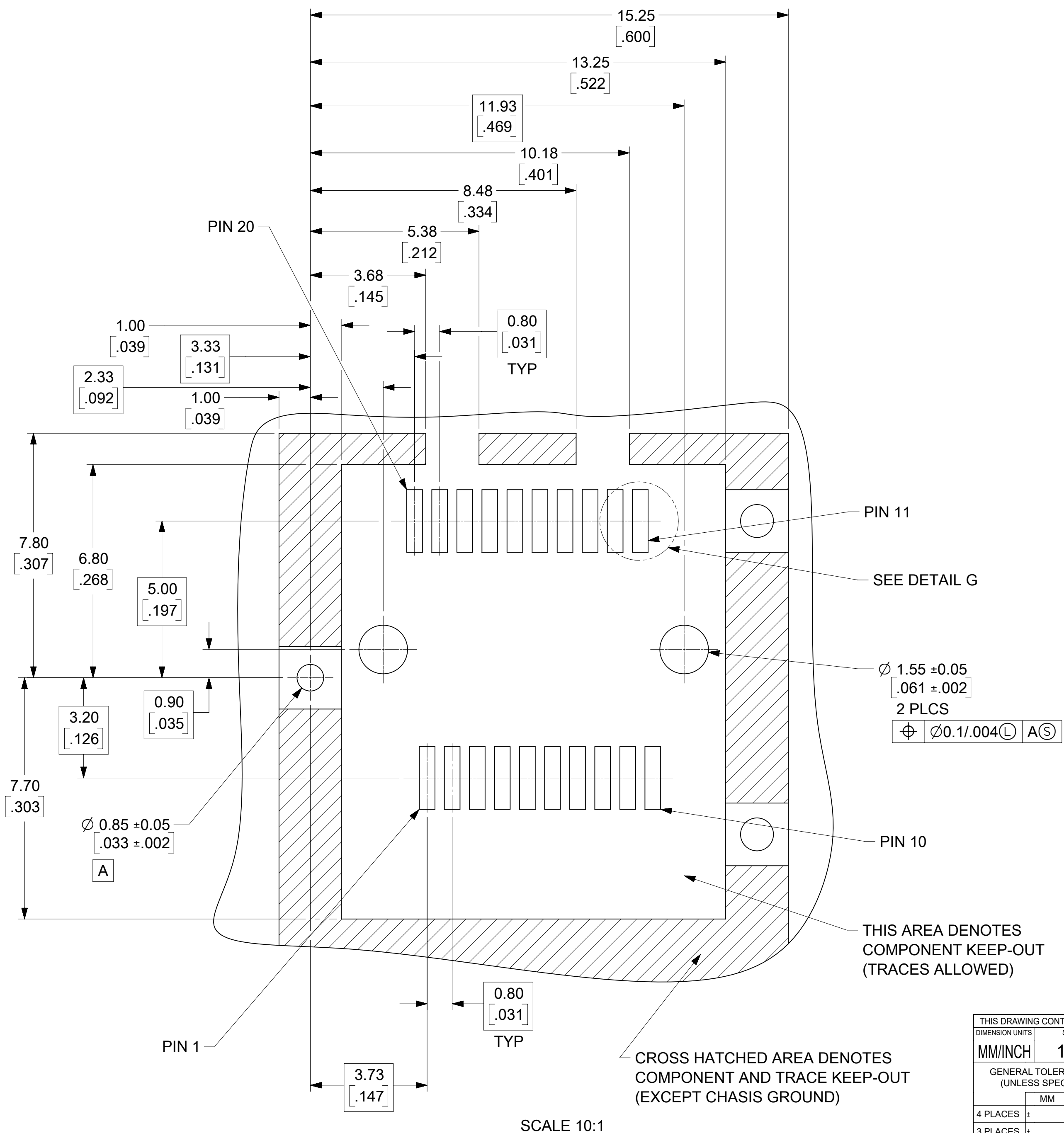
**NOTES**

- MATERIAL:**  
HOUSING - HIGH TEMPERATURE THERMOPLASTIC GLASS FILLED, UL 94V-0, BLACK  
TERMINALS - COPPER ALLOY
- PLATING (SEE TABLE):**  
CONTACT AREA - 0.38 MICROMETER MINIMUM GOLD OVER NICKEL  
SOLDER FOOT AREA - 2.54 MICROMETER MINIMUM TIN OVER NICKEL
- PLATING (SEE TABLE):**  
CONTACT AREA - 0.76 MICROMETER MINIMUM GOLD OVER NICKEL  
SOLDER AREA - 2.54 MICROMETER MINIMUM TIN OVER NICKEL
- PLATING (SEE TABLE):**  
CONTACT AREA - 0.76 MICROMETER MINIMUM GOLD OVER 2.54 MICROMETERS MINIMUM NICKEL.  
SOLDER AREA: GOLD FLASH OVER NICKEL.
- PLATING (SEE TABLE):**  
CONTACT AREA - 0.38 MICROMETER MINIMUM GOLD OVER NICKEL;  
SOLDER AREA: GOLD FLASH OVER NICKEL.
- SOLDER FEET COPLANAR WITHIN 0.10/.004 FOR 20, 30 AND 40 CIRCUIT CONNECTORS, WITHIN 0.15/.006 FOR 50 AND 70 CIRCUIT CONNECTORS
- \* CONTACT PLANT FOR MORE INFORMATION
- DATE CODE: 4 DIGIT (3 DIGIT DAY, 1 DIGIT YEAR)
- THE CIRCUIT 1 INDICATOR MAY VARY IN SIZE AND APPEARANCE.

THIS DRAWING CONTAINS INFORMATION THAT IS PROPRIETARY TO MOLEX ELECTRONIC TECHNOLOGIES, LLC AND SHOULD NOT BE USED WITHOUT WRITTEN PERMISSION									
DIMENSION UNITS <b>MM/INCH</b>		SCALE <b>8:1</b>		CURRENT REV DESC: REMOVED OBSOLETE PARTS AS PER PCN#511683.				<b>molex</b>	
GENERAL TOLERANCES (UNLESS SPECIFIED)				EC NO: 755035		SALES ASSEMBLY Z AXIS PLUGGABLE PCB CONNECTOR			
4 PLACES	±		±	DRWN: ANIKES1	2023/03/31	PRODUCT CUSTOMER DRAWING			
3 PLACES	±		± 0.005	CHK'D: GGA	2023/06/29				
2 PLACES	±	0.13	± 0.01	APPR: GGA	2023/06/29	DOCUMENT NUMBER <b>SD-74441-001</b>			
1 PLACE	±	0.25	±	INITIAL REVISION:					
0 PLACES	±		±	DRWN: HAVERY	2000/04/06	PSD	001	AC1	
ANGULAR TOL	±	0.5 °		APPR: MBANAKIS	2000/04/06	MATERIAL NUMBER	CUSTOMER	SHEET NUMBER	
DRAFT WHERE APPLICABLE MUST REMAIN WITHIN DIMENSIONS		THIRD ANGLE PROJECTION		DRAWING	SERIES	SEE TABLE	GENERAL MARKET	1 OF 5	



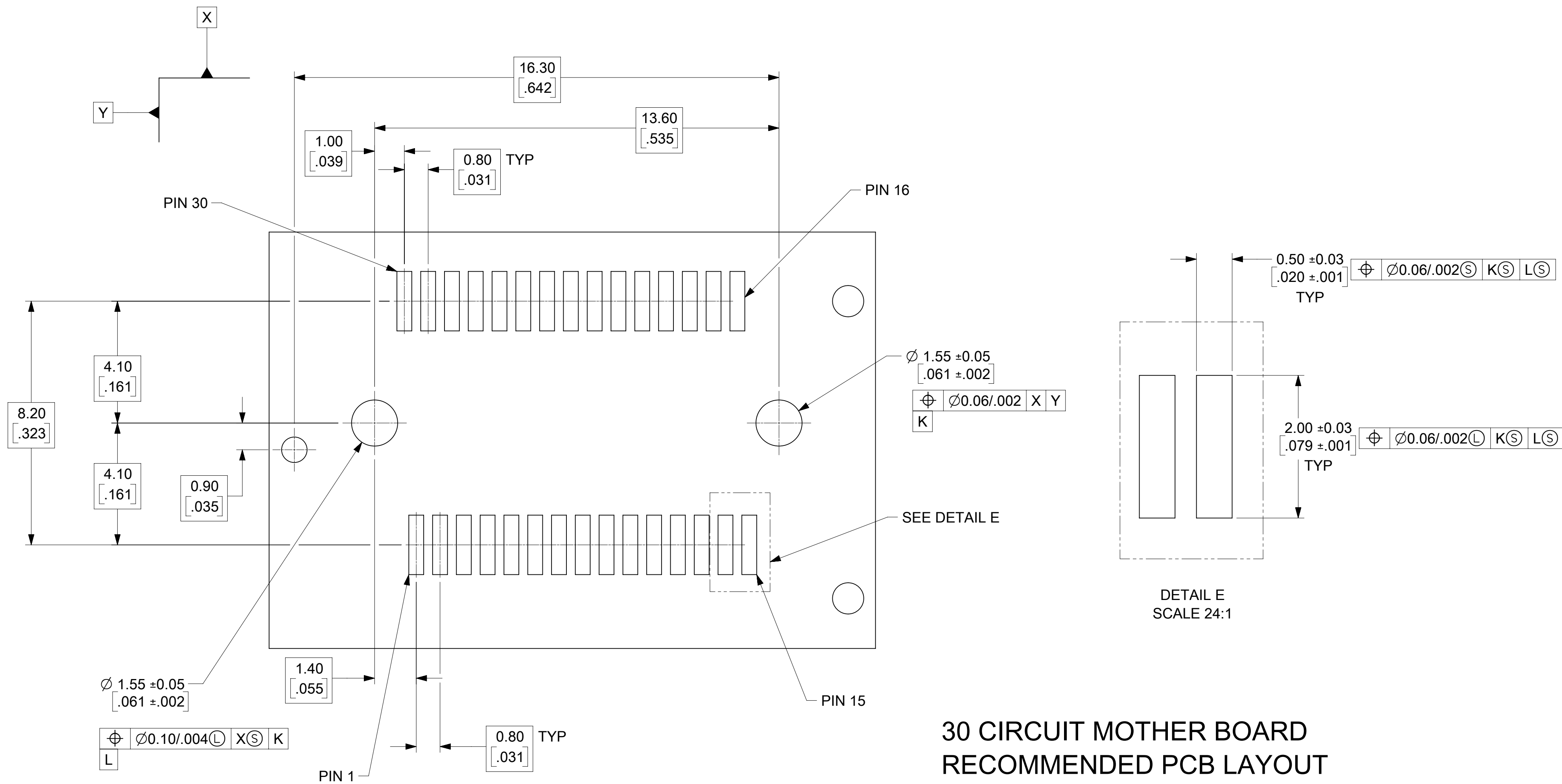
THIS DRAWING CONTAINS INFORMATION THAT IS PROPRIETARY TO MOLEX ELECTRONIC TECHNOLOGIES, LLC AND SHOULD NOT BE USED WITHOUT WRITTEN PERMISSION									
DIMENSION UNITS <b>MM/INCH</b>		SCALE <b>8:1</b>		CURRENT REV DESC: REMOVED OBSOLETE PARTS AS PER PCN#511683.				<b>molex</b>	
GENERAL TOLERANCES (UNLESS SPECIFIED)				EC NO: 755035					
4 PLACES	±			DRWN: ANIKES1		2023/03/31		SALES ASSEMBLY Z AXIS PLUGGABLE PCB CONNECTOR	
3 PLACES	±		± 0.005	CHK'D: GGA		2023/06/29		PRODUCT CUSTOMER DRAWING	
2 PLACES	±	0.13	± 0.01	APPR: GGA		2023/06/29		DOCUMENT NUMBER	
1 PLACE	±	0.25	±	INITIAL REVISION:				DOC TYPE   DOC PART   REVISION	
0 PLACES	±		±	DRWN: HAVERY		2000/04/06		SD-74441-001	
ANGULAR TOL	±	0.5 °		APPR: MBANAKIS		2000/04/06		PSD 001 AC1	
DRAFT WHERE APPLICABLE MUST REMAIN WITHIN DIMENSIONS		THIRD ANGLE PROJECTION		DRAWING		SERIES		MATERIAL NUMBER	
				C-SIZE		74441		SEE TABLE	
				CUSTOMER		GENERAL MARKET		SHEET NUMBER	
								2 OF 5	



## 20 CIRCUIT MOTHER BOARD RECOMMENDED PCB LAYOUT

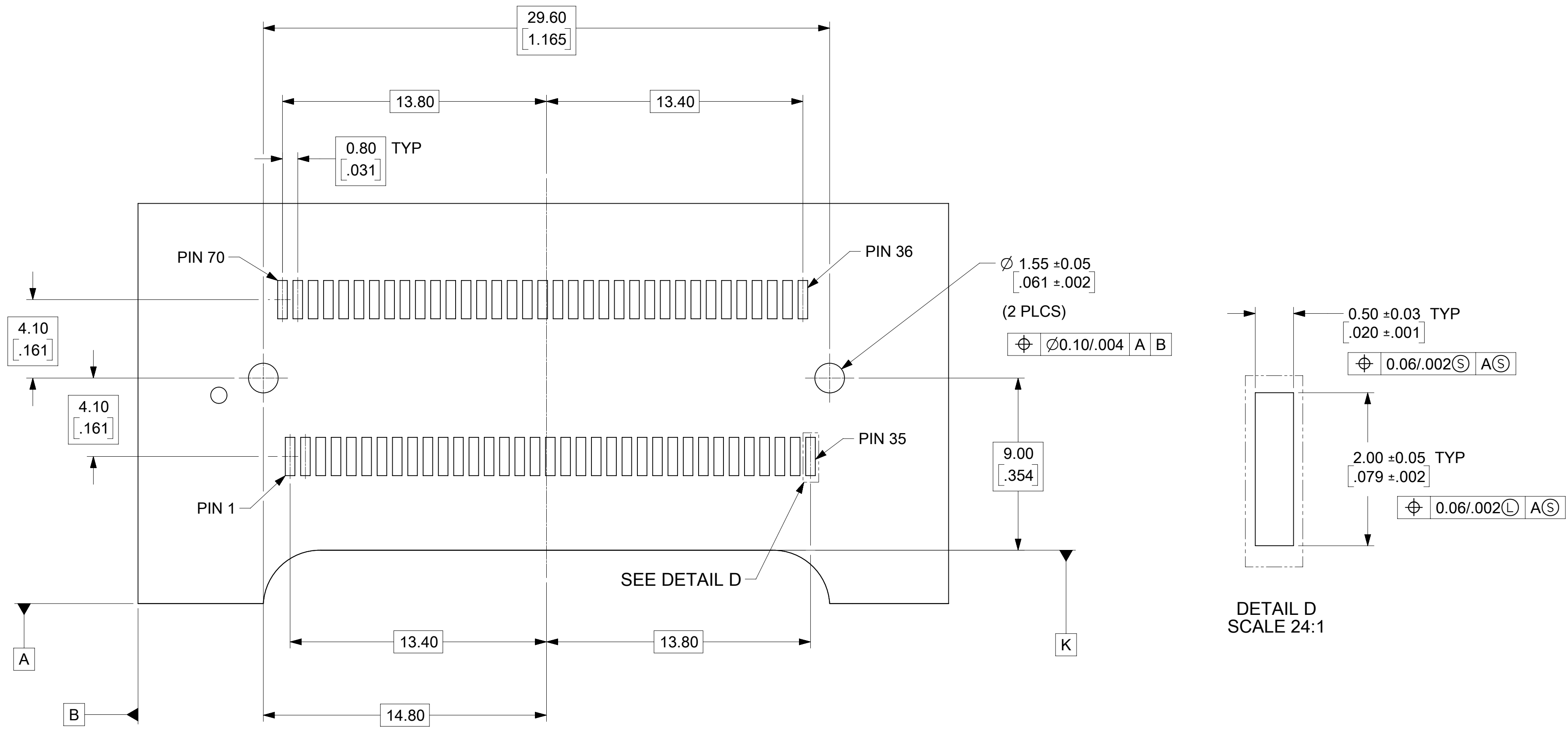
SCALE 10:1

THIS DRAWING CONTAINS INFORMATION THAT IS PROPRIETARY TO MOLEX ELECTRONIC TECHNOLOGIES, LLC AND SHOULD NOT BE USED WITHOUT WRITTEN PERMISSION									
DIMENSION UNITS		SCALE		CURRENT REV DESC: REMOVED OBSOLETE PARTS AS PER PCN#511683.					
MM/INCH		10:1		<b>molex</b> SALES ASSEMBLY Z AXIS PLUGGABLE PCB CONNECTOR PRODUCT CUSTOMER DRAWING DOCUMENT NUMBER: SD-74441-001 DOC TYPE: PSD DOC PART: 001 REVISION: AC1 MATERIAL NUMBER: SEE TABLE CUSTOMER: GENERAL MARKET SHEET NUMBER: 3 OF 5					
GENERAL TOLERANCES (UNLESS SPECIFIED)									
	MM	INCH							
4 PLACES	±		±						
3 PLACES	±		± 0.005						
2 PLACES	±	0.13	± 0.01						
1 PLACE	±	0.25	±						
0 PLACES	±		±						
ANGULAR TOL		± 0.5°		THIRD ANGLE PROJECTION		DRAWING		SERIES	
DRAFT WHERE APPLICABLE MUST REMAIN WITHIN DIMENSIONS				C-SIZE		74441			



### 30 CIRCUIT MOTHER BOARD RECOMMENDED PCB LAYOUT

THIS DRAWING CONTAINS INFORMATION THAT IS PROPRIETARY TO MOLEX ELECTRONIC TECHNOLOGIES, LLC AND SHOULD NOT BE USED WITHOUT WRITTEN PERMISSION											
DIMENSION UNITS <b>MM/INCH</b>		SCALE <b>6:1</b>		CURRENT REV DESC: REMOVED OBSOLETE PARTS AS PER PCN#511683.				<b>molex</b>		SALES ASSEMBLY Z AXIS PLUGGABLE PCB CONNECTOR	
GENERAL TOLERANCES (UNLESS SPECIFIED)						EC NO: 755035					
		MM	INCH	DRWN: ANIKES1		2023/03/31		PRODUCT CUSTOMER DRAWING			
4 PLACES		±	±	CHK'D: GGA		2023/06/29					
3 PLACES		±	± 0.005	APPR: GGA		2023/06/29		DOCUMENT NUMBER <b>SD-74441-001</b>			
2 PLACES		± 0.13	± 0.01	INITIAL REVISION:							
1 PLACE		± 0.25	±	DRWN: HAVERY		2000/04/06		DOC TYPE <b>PSD</b>		DOC PART <b>001</b>	
0 PLACES		±	±	APPR: MBANAKIS		2000/04/06		REVISION <b>AC1</b>		SHEET NUMBER <b>4 OF 5</b>	
ANGULAR TOL		± 0.5 °		THIRD ANGLE PROJECTION		DRAWING <b>C-SIZE</b>		SERIES <b>74441</b>		MATERIAL NUMBER SEE TABLE	
DRAFT WHERE APPLICABLE MUST REMAIN WITHIN DIMENSIONS								CUSTOMER GENERAL MARKET			



### 70 CIRCUIT MOTHER BOARD RECOMMENDED PCB LAYOUT

THIS DRAWING CONTAINS INFORMATION THAT IS PROPRIETARY TO MOLEX ELECTRONIC TECHNOLOGIES, LLC AND SHOULD NOT BE USED WITHOUT WRITTEN PERMISSION											
DIMENSION UNITS <b>MM/INCH</b>		SCALE <b>6:1</b>		CURRENT REV DESC: REMOVED OBSOLETE PARTS AS PER PCN#511683.							
GENERAL TOLERANCES (UNLESS SPECIFIED)				EC NO: 755035							
				DRWN: ANIKES1				SALES ASSEMBLY Z AXIS PLUGGABLE PCB CONNECTOR			
				CHK'D: GGA				PRODUCT CUSTOMER DRAWING			
				APPR: GGA				DOCUMENT NUMBER			
				INITIAL REVISION:				SD-74441-001			
				DRWN: HAVERY				PSD 001 AC1			
				APPR: MBANAKIS				DOC TYPE DOC PART REVISION			
DRAFT WHERE APPLICABLE MUST REMAIN WITHIN DIMENSIONS		THIRD ANGLE PROJECTION		DRAWING		SERIES		MATERIAL NUMBER		CUSTOMER	
				C-SIZE		74441		SEE TABLE		GENERAL MARKET	
SHEET NUMBER		5 OF 5									