



FEATURES

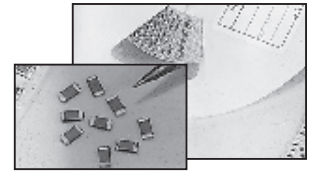
- X7R, X6S, X5R AND Y5V DIELECTRICS
- HIGH CAPACITANCE DENSITY
- ULTRA LOW ESR & ESL
- EXCELLENT MECHANICAL STRENGTH
- NICKEL BARRIER TERMINATIONS
- RoHS COMPLIANT
- SAC SOLDER COMPATIBLE*

*Expanded Value Range
Up to 220µF*

**RoHS
Compliant**

Includes all homogeneous materials

*See Part Number System for Details



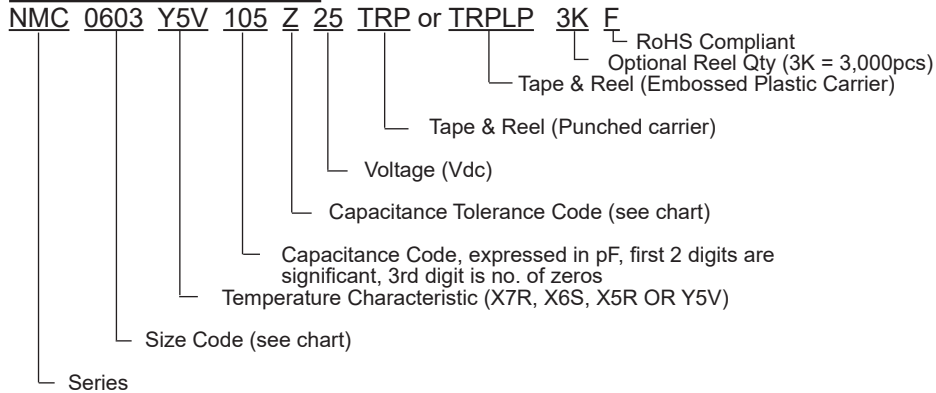
Temperature Coefficient	X7R	X6S	X5R	Y5V
Capacitance Range	1.0µF ~ 47µF	1.0µF ~ 100µF	1.0µF ~ 220µF	1.0µF ~ 100µF
Capacitance Tolerance	10% (K) & 20% (M)	10% (K) & 20% (M)	10% (K) & 20% (M)	+80%/-20% (Z)
Operating Temperature Range	-55°C ~ +125°C	-55°C ~ +105°C	-55°C ~ +85°C	-30°C ~ +85°C
Temperature Characteristics	±15% Δ Cap.	±22% Δ Cap.	±15% Δ Cap.	+22%, -82% Δ Cap.
Rated Voltages	4Vdc, 6.3Vdc, 16Vdc, 25Vdc, 35Vdc, 50Vdc & 100Vdc			
Dissipation Factor	See Part Number and Specifications Tables			
Insulation Resistance				
Dielectric Withstanding Voltage	250% of Rated Voltage for 1 ~ 5 sec., 50mA max.		150% of Rated Voltage for 1 ~ 5 sec., 50mA max.	
Test Conditions (EIA-198-2E)	C ≤ 10µF 1KHz, 1.0V ±0.2Vrms (ALC on) C > 10µF 120Hz, 0.5V ±0.2Vrms (ALC on)		1KHz, 1.0V ±0.1Vrms (ALC on)	

*Reflow soldering is recommended. Contact NIC regarding the use of other soldering methods.

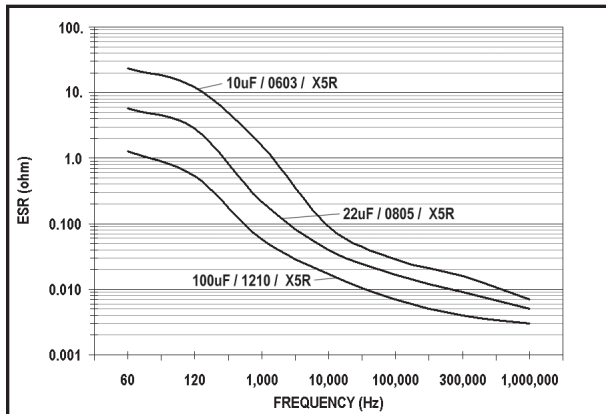
Capacitance value stability over applied VDC is not assured for class II MLCC (X7R, X5R & Y5V) and it is suggested to consider to use NPO MLCCs Ceramic Capacitors, Film Capacitors or Electrolytic Capacitors for applications where stability in capacitance value, over applied VDC, is performance requirement.

For additional information go to: <http://www.niccomp.com/help/VoltageCoefficientofCapacitors-032012-R1.pdf>.

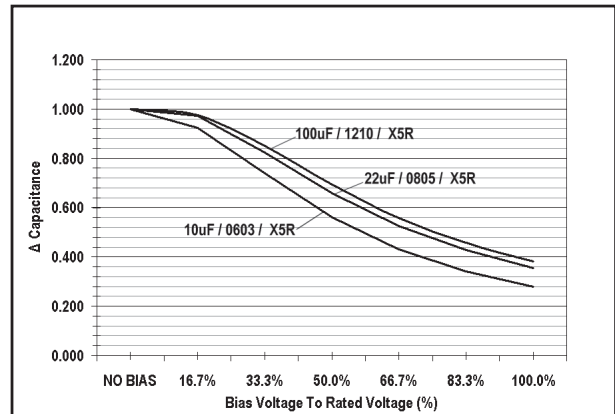
PART NUMBER SYSTEM



Typical ESR versus Frequency



Typical Capacitance versus Bias Voltage





X7R PART NUMBERS AND SPECIFICATIONS

Part Number	Case Size	Voltage (Vdc)	Cap.	Cap. Tol.	DF (%)	IR (MΩ)	DWV (Vdc)	Max. T (mm)	L&W Tolerance		
NMC0402X7R105K6.3TRPF*	0402	6.3	1.0μF	±10%	10	50.0	15.75	1.0	±0.05		
NMC0603X7R475M4TRPF	0603	4	4.7μF	±20%	10	10.63	15.75	1.0	±0.20		
NMC0603X7R105K6.3TRPF		6.3		1.0μF	±10%	10	50.0	15.75	1.0	±0.15	
NMC0603X7R225K6.3TRPF				2.2μF	±10%	10	22.7	15.75	1.0	±0.15	
NMC0603X7R475M6.3TRPF				4.7μF	±20%	10	10.63	15.75	1.0	±0.20	
NMC0603X7R106M6.3TRPF				10μF	±20%	10	10	15.75	1.0	±0.20	
NMC0603X7R105K10TRPF		10		1.0μF	±10%	10	50.0	25	1.0	±0.15	
NMC0603X7R225K10TRPF				2.2μF	±10%	15	22.7	25	1.0	±0.15	
NMC0603X7R105K16TRPF		16		1.0μF	±10%	10	50.0	40	1.0	±0.15	
NMC0603X7R225K16TRPF				2.2μF	±10%	10	45.4	40	1.0	±0.20	
NMC0603X7R105K25TRPF		25		1.0μF	±10%	10	50.0	62.5	1.0	±0.15	
NMC0603X7R105K50TRPF		50		1.0μF	±10%	10	50.0	125	1.0	±0.15	
NMC0805X7R225K6.3TRPLPF		0805	6.3		2.2μF	±10%	10	22.7	15.75	1.45	±0.20
NMC0805X7R335K6.3TRPLPF				3.3μF	±10%	10	30.3	15.75	1.45	±0.20	
NMC0805X7R475K6.3TRPLPF				4.7μF	±10%	10	10.6	15.75	1.45	±0.20	
NMC0805X7R106K6.3TRPLPF				10μF	±10%	15	5.0	15.75	1.45	±0.20	
NMC0805X7R105K10TRPLPF	10			1.0μF	±10%	5.0	50.0	25	1.35	±0.20	
NMC0805X7R155K10TRPLPF				1.5μF	±10%	5.0	66.6	25	1.45	±0.20	
NMC0805X7R225K10TRPLPF				2.2μF	±10%	10	22.7	25	1.45	±0.20	
NMC0805X7R475K10TRPLPF				4.7μF	±10%	10	10.6	25	1.45	±0.20	
NMC0805X7R106K10TRPLPF	10			10μF	±10%	15	5.0	25	1.45	±0.20	
NMC0805X7R105K16TRPLP3KF			16		1.0μF	±10%	5.0	50.0	40	1.45	±0.20
NMC0805X7R225K16TRPLPF					2.2μF	±10%	10	22.7	40	1.45	±0.20
NMC0805X7R335K16TRPLPF					3.3μF	±10%	10	30.3	40	1.45	±0.20
NMC0805X7R475K16TRPLPF				4.7μF	±10%	10	10.6	40	1.45	±0.20	
NMC0805X7R106K16TRPLPF	16			10μF	±10%	10	5.0	40	1.45	±0.20	
NMC0805X7R105K25TRPLPF			25		1.0μF	±10%	5.0	50.0	62.5	1.35	±0.20
NMC0805X7R225K25TRPLPF					2.2μF	±10%	10	22.7	62.5	1.45	±0.20
NMC0805X7R335K25TRPLPF					3.3μF	±10%	10	30.3	62.5	1.45	±0.20
NMC0805X7R475K25TRPLPF				4.7μF	±10%	10	21.2	62.5	1.40	±0.20	
NMC0805X7R105K50TRPLPF	50			1.0μF	±10%	10	50.0	125	1.45	±0.20	
NMC0805X7R225K50TRPLPF				2.2μF	±10%	10	22.7	125	1.45	±0.20	
NMC0805X7R105K100TRPLPF	100			1.0μF	±10%	5.0	500	200	1.45	L±0.25, W±0.20	
NMC1206X7R106K6.3TRPLPF	1206		6.3		10μF	±10%	10	5.0	15.75	1.9	+0.30/-0.20
NMC1206X7R226K6.3TRPLPF					22μF	±10%	10	2.3	15.75	1.9	±0.30
NMC1206X7R105K10TRPLPF			10		1.0μF	±10%	10	50.0	25	1.9	±0.20
NMC1206X7R225K10TRPLPF					2.2μF	±10%	10	22.7	25	1.9	±0.20
NMC1206X7R335K10TRPLPF					3.3μF	±10%	5.0	30.3	25	1.9	±0.20
NMC1206X7R475K10TRPLPF					4.7μF	±10%	10	10.6	25	1.9	±0.20
NMC1206X7R106K10TRPLPF					10μF	±10%	10	5.0	25	1.9	±0.20
NMC1206X7R226K10TRPLPF					22μF	±10%	10	2.3	25	1.9	±0.20
NMC1206X7R105K16TRPLPF			16		1.0μF	±10%	5.0	50.0	40	1.9	±0.20
NMC1206X7R225K16TRPLPF				2.2μF	±10%	10	22.7	40	1.9	±0.20	
NMC1206X7R335K16TRPLPF				3.3μF	±10%	5.0	30.3	40	1.9	+0.30/-0.20	
NMC1206X7R475K16TRPLPF				4.7μF	±10%	10	10.6	40	1.9	±0.20	
NMC1206X7R685K16TRPLPF				6.8μF	±10%	5.0	14	40	1.9	±0.20	
NMC1206X7R106K16TRPLPF				10μF	±10%	10	5.0	40	2.2	±0.20	

*Contact NIC for current availability of this item.



X7R PART NUMBERS AND SPECIFICATIONS

Part Number	Case Size	Voltage (Vdc)	Cap.	Cap. Tol.	DF (%)	IR (MΩ)	DWV (Vdc)	Max. T (mm)	L&W Tolerance	
NMC1206X7R226M16TRPLPF	1206	16	22μF	±20%	10	4.54	40	1.8	L±0.30, W±0.20	
NMC1206X7R105K25TRPLPF		25	1.0μF	±10%	3.5	50.0	62.5	1.9	±0.20	
NMC1206X7R225K25TRPLPF			2.2μF	±10%	5.0	2.7	62.5	1.9	±0.20	
NMC1206X7R335K25TRPLPF			3.3μF	±10%	3.5	30.3	62.5	1.9	±0.20	
NMC1206X7R475K25TRPLPF			4.7μF	±10%	10	10.6	62.5	1.9	±0.20	
NMC1206X7R106K25TRPLPF			10μF	±10%	10	5.0	62.5	1.8	±0.20	
NMC1206X7R106K35TRPLPF			10μF	±10%	10	10	87.5	1.8	±0.20	
NMC1206X7R105K50TRPLPF		50	1.0μF	±10%	3.5	50.0	125	1.9	+0.30/-0.20	
NMC1206X7R225K50TRPLPF			2.2μF	±10%	10	22.7	125	1.9	±0.20	
NMC1206X7R475K50TRPLPF			4.7μF	±10%	10	10.6	125	1.9	±0.20	
NMC1206X7R106K50TRPLPF			10μF	±10%	10	5.0	125	1.9	±0.20	
NMC1206X7R105K100TRPLPF		100	1.0μF	±10%	10	50.0	250	1.9	L±0.30, W±0.20	
NMC1206X7R225M100TRPLPF			2.2μF	±20%	10	45.4	200	1.8	L±0.30, W±0.20	
NMC1210X7R105K6.3TRPLPF		1210	6.3	1.0μF	±10%	5	500	15.75	1.45	L±0.40, W±0.30
NMC1210X7R476K6.3TRPLPF	47μF			±10%	10	1.1	15.75	2.7	L±0.40, W±0.30	
NMC1210X7R105K10TRPLPF	10		1.0μF	±10%	5.0	100.0	25	2.2	L±0.30, W±0.20	
NMC1210X7R475K10TRPLPF			4.7μF	±10%	10	21.2	25	2.2	L±0.30, W±0.20	
NMC1210X7R106K10TRPLPF			10μF	±10%	10	5.0	25	2.8	L±0.40, W±0.30	
NMC1210X7R476K10TRPLPF			47μF	±10%	10	1.063	25	2.7	L±0.40, W±0.30	
NMC1210X7R105K16TRPLPF	16		1.0μF	±10%	3.5	100.0	40	2.2	L±0.30, W±0.20	
NMC1210X7R335K16TRPLPF			3.3μF	±10%	3.5	30.3	40	2.2	L±0.40, W±0.30	
NMC1210X7R475K16TRPLPF			4.7μF	±10%	3.5	21.2	40	2.2	L±0.40, W±0.30	
NMC1210X7R106K16TRPLPF			10μF	±10%	10	5.0	40	2.2	L±0.40, W±0.30	
NMC1210X7R226K16TRPLPF			22μF	±10%	10	4.5	40	2.8	L±0.40, W±0.30	
NMC1210X7R105K25TRPLPF			25	1.0μF	±10%	3.5	100.0	62.5	2.2	L±0.30, W±0.20
NMC1210X7R225K25TRPLPF	2.2μF			±10%	3.5	45.4	62.5	2.2	L±0.40, W±0.30	
NMC1210X7R335K25TRPLPF	3.3μF			±10%	3.5	30.3	62.5	2.2	L±0.40, W±0.30	
NMC1210X7R475K25TRPLPF	4.7μF			±10%	10	10.6	62.5	2.2	L±0.40, W±0.30	
NMC1210X7R106K25TRPLPF	10μF			±10%	10	5.0	62.5	2.8	L±0.30, W±0.20	
NMC1210X7R226K25TRPLPF	22μF			±10%	10	4.5	62.5	2.8	L±0.40, W±0.30	
NMC1210X7R106K35TRPLPF	35			10μF	±10%	10	10.0	87.5	2.8	L±0.30, W±0.20
NMC1210X7R105K50TRPLP3KF	50			1.0μF	±10%	3.5	100.0	125	2.2	L±0.30, W±0.20
NMC1210X7R225K50TRPLPF			2.2μF	±10%	5.0	45.5	125	2.8	L±0.40, W±0.30	
NMC1210X7R475K50TRPLPF			4.7μF	±10%	10	10.6	125	2.2	L±0.30, W±0.20	
NMC1210X7R106K50TRPLPF			10μF	±10%	10	5.0	125	2.8	L±0.30, W±0.20	
NMC1210X7R105K100TRPLPF	100		1.0μF	±10%	10	50.0	250	2.8	L±0.40, W±0.30	
NMC1210X7R225K100TRPLPF			2.2μF	±10%	10	22.7	250	2.2	L±0.40, W±0.30	
NMC1210X7R225K100TRPLP1KF			2.2μF	±10%	10	22.7	250	3.0	L±0.60, W±0.50	
NMC1210X7R475K100TRPLPF			4.7μF	±10%	5.0	21.2	250	2.8	L±0.40, W±0.30	
NMC1812X7R105K10TRPLPF	1812		10	1.0μF	±10%	5.0	100.0	25	1.8	L±0.40, W±0.30
NMC1812X7R105K16TRPLPF			16	1.0μF	±10%	3.5	100.0	40	1.8	L±0.40, W±0.30
NMC1812X7R105K25TRPLPF			25	1.0μF	±10%	3.5	100.0	62.5	1.8	L±0.40, W±0.30
NMC1812X7R106K25TRPLPF				10μF	±10%	3.5	50.0	62.5	2.8	L±0.40, W±0.30
NMC1812X7R105K50TRPLPF			50	1.0μF	±10%	2.5	100.0	125	2.8	L±0.40, W±0.30
NMC1812X7R475K50TRPLPF				4.7μF	±10%	10	21.2	125	2.2	L±0.30, W±0.30
NMC1812X7R106K50TRPLPF				10μF	±10%	10	10.0	125	2.2	L±0.30, W±0.30
NMC1812X7R105K100TRPLPF			100	1.0μF	±10%	2.5	100.0	250	2.8	L±0.40, W±0.30
NMC1812X7R225K100TRPLPF		2.2μF		±10%	5.0	45.5	250	2.8	±0.40	

X7R Continue on next page



X7R PART NUMBERS AND SPECIFICATIONS

Part Number	Case Size	Voltage (Vdc)	Cap.	Cap. Tol.	DF (%)	IR (MΩ)	DWV (Vdc)	Max. T (mm)	L&W Tolerance
NMC2220X7R475K50TRPLPF	2220	50	4.7μF	±10%	10	21.2	125	2.2	±0.40
NMC2220X7R106K50TRPLPF			10μF	±10%	10	10.0	125	3.0	±0.40
NMC2220X7R475K100TRPLPF		100	4.7μF	±10%	2.5	21.2	250	2.2	±0.40
NMC2220X7R106K100TRPLPF			10μF	±10%	2.5	10.0	250	3.0	±0.40
NMC2225X7R105K25TRPLPF	2225	25	1.0μF	±10%	2.5	100.0	62.5	2.2	±0.40
NMC2225X7R155K25TRPLPF			1.5μF	±10%	2.5	66.6	62.5	2.2	±0.40
NMC2225X7R225K25TRPLPF			2.2μF	±10%	2.5	45.4	62.5	2.2	±0.40
NMC2225X7R105K50TRPLPF		50	1.0μF	±10%	2.5	100.0	125	2.2	±0.40
NMC2225X7R105K100TRPLPF		100	1.0μF	±10%	2.5	100.0	250	2.2	±0.40



X6S PART NUMBERS AND SPECIFICATIONS

Part Number	Case Size	Voltage (Vdc)	Cap.	Cap. Tol.	DF (%)	IR (M Ω)	DWV (Vdc)	Max. T (mm)	L&W Tolerance
NMC0201X6S105M4TRPF	0201	4	1.0 μ F	20%	15	50.00	10	0.35	\pm 0.05
NMC0402X6S105K6.3TRPF	0402	6.3	1.0 μ F	10%	15	50.00	15.75	0.55	\pm 0.20
NMC0402X6S225K6.3TRPF			2.2 μ F	10%	20	22.73	15.75	0.55	\pm 0.20
NMC0402X6S475M6.3TRPF			4.7 μ F	20%	10	10.64	15.75	0.65	\pm 0.20
NMC0402X6S106M6.3TRPF			10 μ F	20%	10	5.00	15.75	0.70	\pm 0.20
NMC0402X6S105K10TRPF		10	1.0 μ F	10%	15	50.00	25	0.70	\pm 0.10
NMC0402X6S225K10TRPF			2.2 μ F	10%	15	22.73	25	0.70	\pm 0.20
NMC0402X6S105K16TRPF		16	1.0 μ F	10%	10	50.00	40	0.70	\pm 0.20
NMC0402X6S225K16TRPF			2.2 μ F	10%	10	22.73	40	0.70	\pm 0.20
NMC0402X6S105K25TRPF		25	1.0 μ F	10%	12.5	50.00	62.5	0.70	\pm 0.20
NMC0603X6S226M4TRPF		0603	4	22 μ F	20%	15	2.27	10	1.00
NMC0603X6S475K6.3TRPF	6.3		4.7 μ F	10%	10	10.64	15.75	0.95	\pm 0.20
NMC0603X6S106M6.3TRPF			10 μ F	20%	15	5.00	15.75	1.00	\pm 0.20
NMC0603X6S226M6.3TRPF			22 μ F	20%	15	2.27	15.75	1.00	\pm 0.20
NMC0603X6S106M10TRPF	10		10 μ F	20%	10	5.00	25	1.00	\pm 0.20
NMC0603X6S475K16TRPF	16		4.7 μ F	10%	10	10.64	40	1.00	\pm 0.20
NMC0603X6S106M16TRPF			10 μ F	20%	10	5.00	40	1.00	\pm 0.20
NMC0603X6S225K25TRPF	25		2.2 μ F	10%	10	22.73	62.5	1.00	\pm 0.20
NMC0603X6S475K25TRPF			4.7 μ F	10%	10	10.64	62.5	1.00	\pm 0.20
NMC0805X6S106K4TRPLPF	0805		4	10 μ F	10%	15	5.00	10	1.45
NMC0805X6S476M4TRPLPF		47 μ F		20%	15	1.06	10	1.45	\pm 0.20
NMC0805X6S106K6.3TRPLPF		6.3	10 μ F	10%	15	5.00	15.75	1.45	\pm 0.20
NMC0805X6S226M6.3TRPLPF			22 μ F	20%	15	2.27	15.75	1.45	\pm 0.20
NMC0805X6S106K10TRPLPF		10	10 μ F	10%	10	5.00	25	1.45	\pm 0.20
NMC0805X6S226M10TRPLPF			22 μ F	20%	10	2.27	25	1.45	\pm 0.20
NMC0805X6S225K16TRPLPF		16	2.2 μ F	10%	10	22.7	40	1.45	\pm 0.20
NMC0805X6S106K16TRPLPF			10 μ F	10%	10	5.00	40	1.45	\pm 0.20
NMC0805X6S226M16TRPLPF			22 μ F	20%	10	2.27	40	1.45	\pm 0.20
NMC0805X6S475K25TRPLPF		25	4.7 μ F	10%	10	10.64	62.5	1.45	\pm 0.20
NMC0805X6S106K25TRPLPF			10 μ F	10%	10	5.00	62.5	1.45	\pm 0.20
NMC0805X6S475K50TRPLPF			50	4.7 μ F	10%	10	10.64	125	1.45
NMC1206X6S476K6.3TRPLPF		1206	6.3	47 μ F	10%	15	1.06	15.75	1.90
NMC1206X6S226K10TRPLPF	10		22 μ F	10%	10	2.27	25	1.90	+0.30/-0.20
NMC1206X6S226M16TRPLPF	16		22 μ F	20%	10	2.27	40	1.90	+0.30/-0.20
NMC1206X6S106K25TRPLPF	25		10 μ F	10%	10	5.00	40	1.80	+0.30/-0.20
NMC1210X6S476K6.3TRPLPF	1210	6.3	47 μ F	10%	10	1.06	15.75	2.80	L \pm 0.40, W \pm 0.30
NMC1210X6S107M6.3TRPLPF			100 μ F	20%	15	0.50	15.75	2.80	L \pm 0.40, W \pm 0.30
NMC1210X6S476K10TRPLPF		10	47 μ F	10%	10	1.06	25	2.80	L \pm 0.40, W \pm 0.30
NMC1210X6S476K16TRPLPF		16	47 μ F	10%	10	1.06	40	2.80	L \pm 0.40, W \pm 0.30
NMC1210X6S226K25TRPLPF		25	22 μ F	10%	10	2.27	62.5	2.80	L \pm 0.40, W \pm 0.30

NMC Series

Surface Mount High Capacitance Ceramic Capacitors



X5R PART NUMBERS AND SPECIFICATIONS

Part Number	Case Size	Voltage (Vdc)	Cap.	Cap. Tol.	DF (%)	IR (MΩ)	DWV (Vdc)	Max. T (mm)	L&W Tolerance			
NMC0201X5R105M4TRPF	0201	4	1.0μF	±20%	12.5	50.0	10	0.35	±0.05			
NMC0201X5R225K4TRPF			2.2μF	±10%	15	9.09	10	0.39	±0.09			
NMC0201X5R475K4TRPF			4.7μF	±10%	20	4.25	10	0.45	±0.15			
NMC0201X5R105K6.3TRPF		6.3	6.3	1.0μF	±10%	12.5	10.0	15.75	0.35	±0.05		
NMC0201X5R105M6.3TRPF				1.0μF	±20%	15	50.0	15.75	0.35	±0.05		
NMC0201X5R225K6.3TRPF				2.2μF	±10%	15	9.09	15.75	0.35	±0.05		
NMC0201X5R225M6.3TRPF				2.2μF	±20%	15	4.54	15.75	0.39	±0.05		
NMC0201X5R475M6.3TRPF		10	10	4.7μF	±20%	10	21.2	15.75	0.55	±0.09		
NMC0201X5R105K10TRPF				1.0μF	±10%	20	9.09	15.75	0.39	±0.09		
NMC0201X5R105M10TRPF				1.0μF	±20%	12.5	10.0	25	0.35	±0.05		
NMC0201X5R225M10TRPF		16	16	2.2μF	±20%	15.0	4.5	25	0.39	±0.09		
NMC0201X5R105M16TRPF				1.0μF	±20%	12.5	10	40	0.39	±0.05		
NMC0402X5R225K4TRPF	0402			4	2.2μF	±10%	10	22.7	10	0.60	±0.05	
NMC0402X5R475K4TRPF		4.7μF	±10%		15	10.6	10	0.65	±0.15			
NMC0402X5R106K4TRPF		10μF	±10%		10	5.0	10	0.70	±0.20			
NMC0402X5R226K4TRPF		22μF	±10%		20	0.90	10	0.70	±0.20			
NMC0402X5R105K6.3TRPF		6.3	6.3	1.0μF	±10%	12.5	50.0	15.75	0.60	±0.05		
NMC0402X5R225K6.3TRPF				2.2μF	±10%	10	22.7	15.75	0.60	±0.20		
NMC0402X5R475K6.3TRPF				4.7μF	±10%	12.5	10.6	15.75	0.65	±0.20		
NMC0402X5R106K6.3TRPF				10μF	±10%	15	5.0	15.75	0.60	±0.20		
NMC0402X5R106M6.3TRPF				10μF	±20%	15	5.0	15.75	0.70	±0.20		
NMC0402X5R226K6.3TRPF				22μF	±10%	20	0.90	15.75	0.70	±0.20		
NMC0402X5R105K10TRPF		10	10	1.0μF	±10%	15	50.0	25	0.60	±0.05		
NMC0402X5R225K10TRPF				2.2μF	±10%	15	22.7	25	0.60	±0.05		
NMC0402X5R475K10TRPF				4.7μF	±10%	15	21.0	25	0.70	±0.15		
NMC0402X5R106M10TRPF				10μF	±20%	12.5	5.0	25	0.70	±0.20		
NMC0402X5R105K16TRPF				16	16	1.0μF	±10%	12.5	50.0	40	0.60	±0.05
NMC0402X5R225K16TRPF						2.2μF	±10%	12.5	22.7	40	0.65	±0.10
NMC0402X5R475M16TRPF		4.7μF	±20%			12.5	10.6	40	0.70	±0.20		
NMC0402X5R105K25TRPF		25	25			1.0μF	±10%	10	100.0	62.5	0.60	±0.05
NMC0402X5R225K25TRPF				2.2μF	±10%	10	45.4	62.5	0.70	±0.20		
NMC0402X5R105K50TRPF		50	50	1.0μF	±10%	10	100	125	0.70	±0.20		
NMC0603X5R106K4TRPF		0603	4	10μF	±10%	10	5.0	10	1.0	±0.10		
NMC0603X5R226K4TRPF				22μF	±10%	12.5	2.3	10	1.0	±0.20		
NMC0603X5R476M4TRPF				47μF	±20%	12.5	10.4	10	1.1	±0.20		
NMC0603X5R105K6.3TRPF			6.3	6.3	1.0μF	±10%	10	50.0	15.75	1.0	±0.15	
NMC0603X5R225K6.3TRPF	2.2μF				±10%	10	22.7	15.75	1.0	±0.15		
NMC0603X5R226M6.3TRPF	22μF				±20%	12.5	2.3	15.75	1.0	±0.15		
NMC0603X5R475K6.3TRPF	4.7μF				±10%	10	10.6	15.75	1.0	±0.15		
NMC0603X5R106K6.3TRPF	10μF				±10%	10	5.0	15.75	1.0	±0.20		
NMC0603X5R226M6.3TRPF	22μF				±20%	15	4.54	15.75	1.0	±0.20		
NMC0603X5R476M6.3TRPF	10		10	47μF	±20%	15	2.12	15.75	1.0	±0.20		
NMC0603X5R105K10TRPF				1.0μF	±10%	10	50.0	25	1.0	±0.15		
NMC0603X5R225K10TRPF				2.2μF	±10%	10	22.7	25	1.0	±0.15		
NMC0603X5R475K10TRPF				4.7μF	±10%	10	10.6	25	1.0	±0.15		
NMC0603X5R106K10TRPF				10μF	±10%	10	5.0	25	1.0	±0.15		
NMC0603X5R226M10TRPF				22μF	±20%	20	4.5	25	1.0	+0.20/-0.15		
NMC0603X5R226M10TRPLPF	16		16	22μF	±20%	20	2.2	25	1.05	±0.25		
NMC0603X5R105K16TRPF				1.0μF	±10%	10	50.0	40	1.0	±0.20		
NMC0603X5R225K16TRPF				2.2μF	±10%	10	22.7	40	1.0	±0.15		
NMC0603X5R475K16TRPF				4.7μF	±10%	10	10.6	40	1.0	±0.20		

Performance Passives By Design

NIC Components Corp.
100 Baylis Road. Melville, NY 11747



X5R PART NUMBERS AND SPECIFICATIONS

Part Number	Case Size	Voltage (Vdc)	Cap.	Cap. Tol.	DF (%)	IR (MΩ)	DWV (Vdc)	Max. T (mm)	L&W Tolerance	
NMC0603X5R106K16TRPF	0603	16	10μF	±10%	10	5.0	40	1.0	±0.20	
NMC0603X5R106M16TRPF			10μF	±20%	10	10.0	40	1.0	±0.15	
NMC0603X5R105K25TRPF		25	1.0μF	±10%	10	50.0	62.5	1.0	±0.15	
NMC0603X5R225K25TRPF			2.2μF	±10%	10	45.4	62.5	1.0	±0.15	
NMC0603X5R475K25TRPF			4.7μF	±10%	10	10.6	62.5	1.0	±0.15	
NMC0603X5R106K25TRPF			10μF	±10%	10	5.0	62.5	1.0	±0.20	
NMC0603X5R106M25TRPF		35	10μF	±20%	10	10.0	62.5	1.0	±0.20	
NMC0603X5R105K35TRPF			1.0μF	±10%	10	50.0	87.5	1.0	±0.15	
NMC0603X5R225K35TRPF		50	2.2μF	±10%	10	10.0	87.5	1.0	±0.15	
NMC0603X5R105K50TRPF			1.0μF	±10%	10	50.0	125	1.0	±0.15	
NMC0603X5R225K50TRPF		2.2μF	±10%	10	45.4	125	1.0	±0.20		
NMC0805X5R476K4TRPLPF		0805	4	47μF	K	10	1.1	10	1.45	±0.20
NMC0805X5R107M4TRPLPF	100μF			M	15	0.5	10	1.45	±0.20	
NMC0805X5R105K6.3TRPLPF	6.3		1.0μF	K	10	100.0	15.75	1.45	±0.20	
NMC0805X5R225K6.3TRPLPF			2.2μF	K	10	45.4	15.75	1.45	±0.20	
NMC0805X5R335K6.3TRPLPF			3.3μF	K	10	30.3	15.75	1.45	±0.20	
NMC0805X5R475K6.3TRPLPF			4.7μF	K	10	10.6	15.75	1.45	±0.20	
NMC0805X5R106K6.3TRPLPF			10μF	K	10	5.0	15.75	1.45	±0.20	
NMC0805X5R226K6.3TRPLPF			22μF	K	15	2.3	15.75	1.45	±0.20	
NMC0805X5R476K6.3TRPLPF			47μF	K	10	1.1	15.75	1.45	±0.20	
NMC0805X5R107M6.3TRPLPF			100μF	M	15	1.0	15.75	1.45	±0.20	
NMC0805X5R105K10TRPLPF	10		1.0μF	K	7.5	100.0	25	1.45	±0.20	
NMC0805X5R155K10TRPLPF			1.5μF	K	5	66.7	25	1.45	±0.20	
NMC0805X5R225K10TRPLPF			2.2μF	K	10	45.4	25	1.45	±0.20	
NMC0805X5R335K10TRPLPF			3.3μF	K	10	30.3	25	1.45	±0.20	
NMC0805X5R475K10TRPLPF			4.7μF	K	10	21.2	25	1.45	±0.20	
NMC0805X5R106K10TRPF			10μF	K	10	10.0	25	1.0	±0.20	
NMC0805X5R106K10TRPLPF			10μF	K	10	5.0	25	1.45	±0.20	
NMC0805X5R226K10TRPLPF			22μF	K	15	2.3	25	1.45	±0.20	
NMC0805X5R476M10TRPLPF			47μF	M	10	2.12	25	1.45	±0.20	
NMC0805X5R105K16TRPLPF			16	1.0μF	K	10	50.0	40	1.45	±0.20
NMC0805X5R225K16TRPLPF	2.2μF			K	5.0	22.7	40	1.45	±0.20	
NMC0805X5R475K16TRPLPF	4.7μF			K	10	10.6	40	1.45	±0.20	
NMC0805X5R106K16TRPLPF	10μF			K	10	5.0	40	1.45	±0.20	
NMC0805X5R226K16TRPLPF	22μF			K	15	2.27	40	1.45	±0.20	
NMC0805X5R105K25TRPLPF	25			1.0μF	K	10	50.0	62.5	1.45	±0.20
NMC0805X5R225K25TRPLPF			2.2μF	K	10	22.7	62.5	1.45	±0.20	
NMC0805X5R475K25TRPLPF			4.7μF	K	10	10.6	62.5	1.45	±0.20	
NMC0805X5R106K25TRPLPF			10μF	K	10	5.0	62.5	1.45	±0.20	
NMC0805X5R226M25TRPLPF	35		22μF	M	10	4.54	62.5	1.45	±0.20	
NMC0805X5R226M35TRPLPF			22μF	M	10	22.7	87.5	1.45	±0.20	
NMC0805X5R105K50TRPLPF	50		1.0μF	K	10	50.0	125	1.45	±0.20	
NMC0805X5R225M50TRPLPF			2.2μF	K	10	22.7	125	1.50	±0.20	
NMC0805X5R475K50TRPLPF			4.7μF	K	10	21.2	125	1.45	±0.20	
NMC0805X5R106K50TRPLPF			10μF	K	10	10.0	125	1.50	+0.25/-0.15	
NMC1206X5R476K4TRPLPF	1206		4	47μF	K	15	1.1	10	1.9	±0.20
NMC1206X5R107K4TRPLPF				100μF	K	15	0.5	10	1.9	±0.30
NMC1206X5R227M4TRPLPF				220μF	M	15	0.45	10	1.9	±0.30
NMC1206X5R105K6.3TRPLPF			6.3	1.0μF	K	5.0	50.0	15.75	1.25	±0.15
NMC1206X5R225K6.3TRPLPF				2.2μF	K	5.0	22.7	15.75	1.25	±0.15
NMC1206X5R475K6.3TRPLPF				4.7μF	K	10	10.6	15.75	1.9	+0.30/-0.20
NMC1206X5R685K6.3TRPLPF				6.8μF	K	10	14.7	15.75	1.9	+0.30/-0.20



X5R PART NUMBERS AND SPECIFICATIONS

Part Number	Case Size	Voltage (Vdc)	Cap.	Cap. Tol.	DF (%)	IR (MΩ)	DWV (Vdc)	Max. T (mm)	L&W Tolerance	
NMC1206X5R106K6.3TRPLPF	1206	6.3	10μF	K	10	5.0	15.75	1.9	±0.20	
NMC1206X5R226K6.3TRPLPF			22μF	K	10	2.3	15.75	1.9	±0.20	
NMC1206X5R476K6.3TRPLPF			47μF	K	10	1.1	15.75	1.9	+0.30/-0.20	
NMC1206X5R107M6.3TRPLPF			100μF	M	10	0.5	15.75	1.9	±0.20	
NMC1206X5R105K10TRPLPF		10	1.0μF	K	5.0	50.0	25	1.25	±0.15	
NMC1206X5R225K10TRPLPF			2.2μF	K	7.5	22.7	25	1.9	+0.20/-0.20	
NMC1206X5R335K10TRPLPF			3.3μF	K	7.5	30.3	25	1.9	+0.30/-0.20	
NMC1206X5R475K10TRPLPF			4.7μF	K	7.5	10.6	25	1.9	+0.30/-0.20	
NMC1206X5R106K10TRPLPF			10μF	K	10	5.0	25	1.9	±0.20	
NMC1206X5R226K10TRPLPF			22μF	K	10	2.3	25	1.9	±0.20	
NMC1206X5R476K10TRPLPF			47μF	K	10	1.1	25	1.9	+0.30/-0.20	
NMC1206X5R107M10TRPLPF			100μF	M	10	0.5	25	1.9	±0.30	
NMC1206X5R105K16TRPLPF			16	1.0μF	K	5.0	50.0	40	1.25	±0.15
NMC1206X5R225K16TRPLPF				2.2μF	K	5.0	22.7	40	1.9	+0.30/-0.20
NMC1206X5R335K16TRPLPF				3.3μF	K	5.0	30.3	40	1.9	+0.30/-0.20
NMC1206X5R475K16TRPLPF				4.7μF	K	5.0	10.6	40	1.9	+0.30/-0.20
NMC1206X5R106K16TRPLPF		10μF		K	10	5.0	40	1.9	±0.20	
NMC1206X5R226K16TRPLPF		22μF		K	10	2.3	40	1.9	+0.30/-0.20	
NMC1206X5R476M16TRPLPF		47μF		M	10	2.0	40	1.8	±0.20	
NMC1206X5R105K25TRPLPF		25		1.0μF	K	3.5	100.0	62.5	1.9	+0.30/-0.20
NMC1206X5R225K25TRPLPF			2.2μF	K	5.0	22.7	62.5	1.9	+0.30/-0.20	
NMC1206X5R335K25TRPLPF			3.3μF	K	3.5	30.3	62.5	1.9	+0.30/-0.20	
NMC1206X5R475K25TRPLPF			4.7μF	K	5.0	10.6	62.5	1.9	+0.30/-0.20	
NMC1206X5R106K25TRPLPF			10μF	K	10	5.0	62.5	1.9	±0.20	
NMC1206X5R226K25TRPLPF			22μF	K	10	2.3	62.5	1.9	±0.20	
NMC1206X5R476M25TRPLPF			47μF	M	10	10.6	62.5	1.8	±0.20	
NMC1206X5R105M35TRPLPF			35	1.0μF	M	3.5	100.0	87.5	1.9	±0.30
NMC1206X5R156M35TRPLPF		15μF		M	10	33	87.5	1.8	±0.20	
NMC1206X5R226M35TRPLPF		22μF		M	10	22.7	87.5	1.8	±0.20	
NMC1206X5R105K50TRPLPF		50	1.0μF	K	10	50.0	125	1.8	±0.30	
NMC1206X5R225K50TRPLPF			2.2μF	K	10	22.7	125	1.8	±0.30	
NMC1206X5R475K50TRPLPF			4.7μF	K	10	21.2	125	1.8	±0.30	
NMC1206X5R106K50TRPLPF			10μF	K	12.5	10	125	1.8	+0.30/-0.20	
NMC1210X5R227M4TRPLPF			1210	4	220μF	M	15	0.45	10	2.8
NMC1210X5R105K6.3TRPLPF		6.3		1.0μF	K	5.0	50.0	15.75	1.45	L±0.40, W±0.30
NMC1210X5R225K6.3TRPLPF				2.2μF	K	5.0	22.7	15.75	1.45	L±0.40, W±0.30
NMC1210X5R475K6.3TRPLPF	4.7μF			K	5.0	10.6	15.75	2.1	L±0.40, W±0.30	
NMC1210X5R106K6.3TRPLPF	10μF			K	10	10.0	15.75	2.2	L±0.40, W±0.30	
NMC1210X5R226K6.3TRPLPF	22μF			K	10	2.3	15.75	2.8	L±0.40, W±0.30	
NMC1210X5R476K6.3TRPLPF	47μF			K	10	1.1	15.75	2.8	L±0.40, W±0.30	
NMC1210X5R107M6.3TRPLPF	100μF			M	15	0.5	15.75	2.8	L±0.40, W±0.30	
NMC1210X5R105K10TRPLPF	10	1.0μF		K	5.0	50.0	25	1.45	L±0.40, W±0.30	
NMC1210X5R225K10TRPLPF		2.2μF		K	5.0	22.7	25	2.1	L±0.40, W±0.30	
NMC1210X5R475K10TRPLPF		4.7μF		K	5.0	21.2	25	2.2	L±0.40, W±0.30	
NMC1210X5R106K10TRPLPF		10μF		K	5.0	10.0	25	2.8	L±0.30, W±0.20	
NMC1210X5R226K10TRPLPF		22μF		K	10	2.3	25	2.8	L±0.40, W±0.30	
NMC1210X5R105K16TRPLPF		16		1.0μF	K	5.0	50.0	40	1.25	±0.15
NMC1210X5R225K16TRPLPF				2.2μF	K	5.0	22.7	40	1.9	+0.30/-0.20
NMC1210X5R335K16TRPLPF				3.3μF	K	5.0	30.3	40	1.9	+0.30/-0.20
NMC1210X5R475K16TRPLPF			4.7μF	K	5.0	10.6	40	1.9	+0.30/-0.20	
NMC1210X5R106K16TRPLPF	10μF		K	10	5.0	40	1.9	±0.20		

X5R Continue on next page

Shaded parts are temporarily out of production



X5R PART NUMBERS AND SPECIFICATIONS

Part Number	Case Size	Voltage (Vdc)	Cap.	Cap. Tol.	DF (%)	IR (MΩ)	DWV (Vdc)	Max. T (mm)	L&W Tolerance			
NMC1210X5R476K10TRPLPF	1210	10	47μF	K	10	1.1	25	2.8	L±0.40, W±0.30			
NMC1210X5R107M10TRPLPF			100μF	M	10	1.0	25	2.8	L±0.40, W±0.30			
NMC1210X5R105K16TRPLPF		16	16	1.0μF	K	5.0	50.0	40	1.45	L±0.40, W±0.30		
NMC1210X5R225K16TRPLPF				2.2μF	K	5.0	22.7	40	2.1	L±0.40, W±0.30		
NMC1210X5R475K16TRPLPF				4.7μF	K	5.0	10.6	40	2.2	L±0.40, W±0.30		
NMC1210X5R106K16TRPLPF				10μF	K	5.0	5.0	40	2.2	L±0.30, W±0.20		
NMC1210X5R226K16TRPLPF				22μF	K	10	2.3	40	2.8	L±0.30, W±0.20		
NMC1210X5R476K16TRPLPF				47μF	K	10	1.1	40	2.8			
NMC1210X5R107M16TRPLPF				100μF	M	10	0.50	40	2.8	L±0.40, W±0.30		
NMC1210X5R105K25TRPLPF				25	25	1.0μF	K	2.5	50.0	62.5	1.45	L±0.40, W±0.30
NMC1210X5R225K25TRPLPF		2.2μF	K			2.5	22.7	62.5	2.1	L±0.40, W±0.30		
NMC1210X5R475K25TRPLPF		4.7μF	K			10	10.6	62.5	2.2	L±0.30, W±0.20		
NMC1210X5R106K25TRPLPF		10μF	K			10	5.0	62.5	2.2	L±0.30, W±0.20		
NMC1210X5R226K25TRPLPF		22μF	K			10	4.5	62.5	2.7	L±0.40, W±0.30		
NMC1210X5R476M25TRPLPF		47μF	M			10	2.12	62.5	2.8	L±0.30, W±0.20		
NMC1210X5R225K35TRPLPF		35	35			2.2μF	K	3.5	45.4	87.5	2.2	L±0.30, W±0.20
NMC1210X5R106K35TRPLPF						10μF	K	10	10.0	87.5	2.2	L±0.30, W±0.20
NMC1210X5R105K50TRPLPF		50	50	1.0μF	K	10	100.0	125	1.45	L±0.40, W±0.30		
NMC1210X5R225K50TRPLPF				2.2μF	K	2.5	22.7	125	2.1	L±0.40, W±0.30		
NMC1210X5R475K50TRPLPF				4.7μF	K	2.5	21.2	125	2.7	L±0.40, W±0.30		
NMC1210X5R106K50TRPLPF				10μF	K	10	10.0	125	2.8	L±0.40, W±0.30		
NMC1210X5R106M50TRPLPF				10μF	M	10	5.0	125	2.7	L±0.30, W±0.20		
NMC1812X5R107M6.3TRPLPF		1812	6.3	100μF	M	10	1.0	15.75	3.1	±0.40		
NMC2220X5R106K50TRPLPF		2220	50	10μF	K	2.5	10.0	125	3.0	±0.40		
NMC2220X5R106M50TRPLPF			50	10μF	M	2.5	10.0	125	3.0	±0.40		

Shaded parts are temporarily out of production



Y5V PART NUMBERS AND SPECIFICATIONS

Part Number	Case Size	Voltage (Vdc)	Cap.	Cap. Tol.	DF (%)	IR (MΩ)	DWV (Vdc)	Max. T (mm)	L&W Tolerance	
NMC0402Y5V105Z6.3TRPF	0402	6.3	1.0μF	Z	20	50.0	9.45	0.6	±0.05	
NMC0402Y5V105Z10TRPF		10	1.0μF	Z	12.5	50.0	15	0.6	±0.05	
NMC0603Y5V225Z6.3TRPF	0603	6.3	2.2μF	Z	20	22.7	9.45	1.0	±0.15	
NMC0603Y5V105Z10TRPF		10	1.0μF	Z	16	50.0	15	1.0	±0.15	
NMC0603Y5V225Z10TRPF			2.2μF	Z	16	22.7	15	1.0	±0.15	
NMC0603Y5V475Z10TRPF			4.7μF	Z	15	106.3	25	0.9	±0.10	
NMC0603Y5V105Z16TRPF		16	1.0μF	Z	16	50.0	24	1.0	±0.15	
NMC0603Y5V225Z16TRPF			2.2μF	Z	16	22.7	24	1.0	±0.15	
NMC0805Y5V475Z6.3TRPLPF		0805	6.3	4.7μF	Z	16	10.6	9.45	1.45	±0.20
NMC0805Y5V106Z6.3TRPLPF				10μF	Z	20	5.0	9.45	1.45	±0.20
NMC0805Y5V226Z6.3TRPLPF	22μF			Z	20	22.7	15.75	1.45	±0.20	
NMC0805Y5V105Z10TRPLPF	10		1.0μF	Z	12.5	100.0	15	1.45	±0.20	
NMC0805Y5V155Z10TRPLPF			1.5μF	Z	12.5	66.6	15	1.45	±0.20	
NMC0805Y5V225Z10TRPLPF			2.2μF	Z	12.5	45.4	15	1.45	±0.20	
NMC0805Y5V335Z10TRPLPF			3.3μF	Z	12.5	30.3	15	1.45	±0.20	
NMC0805Y5V475Z10TRPLPF			4.7μF	Z	12.5	10.6	15	1.45	±0.20	
NMC0805Y5V685Z10TRPLPF			6.8μF	Z	16	14.7	15	1.45	±0.20	
NMC0805Y5V106Z10TRPLPF			10μF	Z	30	5.0	15	1.45	±0.20	
NMC0805Y5V226Z10TRPLPF	16		22μF	Z	20	22.7	25	1.45	±0.20	
NMC0805Y5V155Z16TRPLPF			1.5μF	Z	9.0	66.6	24	1.45	±0.20	
NMC0805Y5V225Z16TRPLPF			2.2μF	Z	12.5	22.7	24	1.45	±0.20	
NMC0805Y5V335Z16TRPLPF			3.3μF	Z	12.5	15.2	24	1.45	±0.20	
NMC0805Y5V475Z16TRPLPF			4.7μF	Z	9.0	10.6	24	1.45	±0.20	
NMC0805Y5V105Z25TRPLPF	25		1.0μF	Z	9.0	50.0	37.5	1.45	±0.20	
NMC0805Y5V105Z50TRPLPF	50		1.0μF	Z	9.0	50.0	75	1.45	±0.20	
NMC1206Y5V226Z6.3TRPLPF	1206		6.3	22μF	Z	20	2.3	9.45	1.9	+0.30/-0.20
NMC1206Y5V105Z10TRPLPF			10	1.0μF	Z	12.5	100.0	15	1.9	±0.20
NMC1206Y5V155Z10TRPLPF				1.5μF	Z	12.5	66.6	15	1.9	±0.20
NMC1206Y5V225Z10TRPLPF				2.2μF	Z	12.5	45.4	15	1.9	±0.20
NMC1206Y5V335Z10TRPLPF				3.3μF	Z	12.5	30.3	15	1.9	±0.20
NMC1206Y5V475Z10TRPLPF				4.7μF	Z	12.5	21.2	15	1.9	±0.20
NMC1206Y5V685Z10TRPLPF				6.8μF	Z	16	14.7	15	1.9	±0.20
NMC1206Y5V106Z10TRPLPF				10μF	Z	16	5.0	15	1.9	±0.20
NMC1206Y5V226Z10TRPLPF				22μF	Z	20	2.3	15	1.9	+0.30/-0.20
NMC1206Y5V105Z16TRPLPF			16	1.0μF	Z	12.5	50.0	24	1.9	±0.20
NMC1206Y5V155Z16TRPLPF				1.5μF	Z	12.5	66.6	24	1.9	±0.20
NMC1206Y5V225Z16TRPLPF				2.2μF	Z	12.5	22.7	24	1.9	±0.20
NMC1206Y5V335Z16TRPLPF				3.3μF	Z	12.5	30.3	24	1.9	±0.20
NMC1206Y5V475Z16TRPLPF				4.7μF	Z	12.5	10.6	24	1.9	±0.20
NMC1206Y5V685Z16TRPLPF				6.8μF	Z	12.5	14.7	24	1.9	±0.20
NMC1206Y5V106Z16TRPLPF		10μF		Z	12.5	10.0	24	1.9	±0.20	
NMC1206Y5V105Z25TRPLPF		25	1.0μF	Z	7.0	100.0	37.5	1.9	±0.20	
NMC1206Y5V155Z25TRPLPF			1.5μF	Z	9.0	66.6	37.5	1.9	±0.20	
NMC1206Y5V225Z25TRPLPF			2.2μF	Z	9.0	22.7	37.5	1.9	L±0.30, W±0.20	
NMC1206Y5V335Z25TRPLPF			3.3μF	Z	9.0	30.3	37.5	1.9	±0.20	
NMC1206Y5V475Z25TRPLPF			4.7μF	Z	9.0	10.6	37.5	1.9	±0.20	

Y5V Continue on next page



Y5V PART NUMBERS AND SPECIFICATIONS

Part Number	Case Size	Voltage (Vdc)	Cap.	Cap. Tol.	DF (%)	IR (MΩ)	DWV (Vdc)	Max. T (mm)	L&W Tolerance			
NMC1206Y5V475Z35TRPLPF	1206	35	4.7μF	Z	7.0	21.2	52.5	1.9	±0.20			
NMC1206Y5V106Z35TRPLPF			10μF	Z	9.0	10.0	52.5	1.9	+0.30/-0.20			
NMC1206Y5V105Z50TRPLPF		50	1.0μF	Z	7.0	100.0	75	1.9	±0.20			
NMC1210Y5V226Z6.3TRPLPF	1210	6.3	22μF	Z	20	4.6	9.45	2.2	L±0.40, W±0.30			
NMC1210Y5V105Z10TRPLPF		10	10	1.0μF	Z	12.5	100.0	15	2.2	L±0.30, W±0.20		
NMC1210Y5V155Z10TRPLPF				1.5μF	Z	12.5	66.6	15	2.2	L±0.30, W±0.20		
NMC1210Y5V225Z10TRPLPF				2.2μF	Z	12.5	45.4	15	2.2	L±0.30, W±0.20		
NMC1210Y5V335Z10TRPLPF				3.3μF	Z	12.5	30.3	15	2.2	L±0.30, W±0.20		
NMC1210Y5V475Z10TRPLPF				4.7μF	Z	12.5	21.2	15	2.2	L±0.30, W±0.20		
NMC1210Y5V685Z10TRPLPF				6.8μF	Z	12.5	14.7	15	2.2	L±0.30, W±0.20		
NMC1210Y5V106Z10TRPLPF				10μF	Z	12.5	10.0	15	2.2	L±0.30, W±0.20		
NMC1210Y5V226Z10TRPLPF				22μF	Z	16	4.6	15	2.2	L±0.40, W±0.30		
NMC1210Y5V105Z16TRPLPF				16	16	1.0μF	Z	12.5	100.0	24	2.2	L±0.40, W±0.30
NMC1210Y5V155Z16TRPLPF		1.5μF	Z			12.5	66.6	24	2.2	L±0.30, W±0.20		
NMC1210Y5V225Z16TRPLPF		2.2μF	Z			12.5	45.4	24	2.2	L±0.30, W±0.20		
NMC1210Y5V335Z16TRPLPF		3.3μF	Z			12.5	30.3	24	2.2	L±0.30, W±0.20		
NMC1210Y5V475Z16TRPLPF		4.7μF	Z			12.5	21.2	24	2.2	L±0.30, W±0.20		
NMC1210Y5V685Z16TRPLPF		6.8μF	Z			12.5	14.7	24	2.2	L±0.30, W±0.20		
NMC1210Y5V106Z16TRPLPF		10μF	Z			12.5	10.0	24	2.2	L±0.30, W±0.20		
NMC1210Y5V226Z16TRPLPF		22μF	Z			12.5	4.6	24	2.2	L±0.30, W±0.20		
NMC1210Y5V476Z16TRPLPF		47μF	Z			16	2.1	24	2.2	L±0.40, W±0.30		
NMC1210Y5V105Z25TRPLPF		25	25			1.0μF	Z	9.0	100.0	37.5	2.2	L±0.40, W±0.30
NMC1210Y5V155Z25TRPLPF						1.5μF	Z	9.0	66.6	37.5	2.2	L±0.30, W±0.20
NMC1210Y5V225Z25TRPLPF						2.2μF	Z	9.0	45.4	37.5	2.2	L±0.30, W±0.20
NMC1210Y5V335Z25TRPLPF				3.3μF	Z	9.0	30.3	37.5	2.2	L±0.30, W±0.20		
NMC1210Y5V475Z25TRPLPF				4.7μF	Z	9.0	21.2	37.5	2.2	L±0.30, W±0.20		
NMC1210Y5V685Z25TRPLPF				6.8μF	Z	9.0	14.7	37.5	2.2	L±0.40, W±0.30		
NMC1210Y5V106Z25TRPLPF				10μF	Z	9.0	10.0	37.5	2.2	L±0.40, W±0.30		
NMC1210Y5V106Z35TRPLPF				35	10μF	Z	7.0	10.0	52.5	2.2	L±0.40, W±0.30	
NMC1210Y5V225Z50TRPLPF				50	50	2.2μF	Z	7.0	45.4	75	2.2	L±0.30, W±0.20
NMC1210Y5V106Z50TRPLPF		10μF	Z			12.5	10.0	75	2.2	L±0.40, W±0.30		
NMC1812Y5V105Z10TRPLPF		1812	10	1.0μF	Z	12.5	100.0	15	2.8	L±0.40, W±0.30		
NMC1812Y5V155Z10TRPLPF				1.5μF	Z	12.5	66.6	15	2.8	L±0.40, W±0.30		
NMC1812Y5V225Z10TRPLPF				2.2μF	Z	12.5	45.4	15	2.8	L±0.40, W±0.30		
NMC1812Y5V335Z10TRPLPF				3.3μF	Z	12.5	30.3	15	2.8	L±0.40, W±0.30		
NMC1812Y5V475Z10TRPLPF				4.7μF	Z	12.5	21.2	15	2.8	L±0.40, W±0.30		
NMC1812Y5V685Z10TRPLPF	6.8μF			Z	12.5	14.7	15	2.8	L±0.40, W±0.30			
NMC1812Y5V106Z10TRPLPF	10μF			Z	12.5	10.0	15	2.8	L±0.40, W±0.30			

Y5V Continue on next page

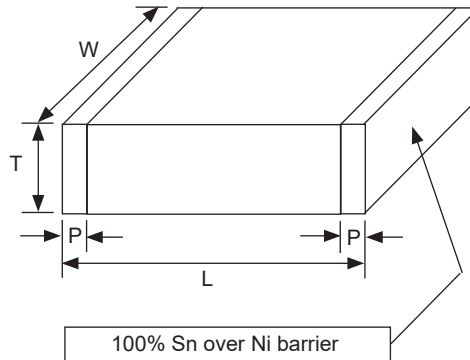
Y5V PART NUMBERS AND SPECIFICATIONS

Part Number	Case Size	Voltage (Vdc)	Cap.	Cap. Tol.	DF (%)	IR (MΩ)	DWV (Vdc)	Max. T (mm)	L&W Tolerance
NMC1812Y5V105Z16TRPLPF	1812	16	1.0μF	Z	9.0	100.0	24	2.8	L±0.40, W±0.30
NMC1812Y5V155Z16TRPLPF			1.5μF	Z	9.0	66.6	24	2.8	L±0.40, W±0.30
NMC1812Y5V225Z16TRPLPF			2.2μF	Z	9.0	45.4	24	2.8	L±0.40, W±0.30
NMC1812Y5V335Z16TRPLPF			3.3μF	Z	9.0	30.3	24	2.8	L±0.40, W±0.30
NMC1812Y5V475Z16TRPLPF			4.7μF	Z	9.0	21.2	24	2.8	L±0.40, W±0.30
NMC1812Y5V685Z16TRPLPF			6.8μF	Z	9.0	14.7	24	2.8	L±0.40, W±0.30
NMC1812Y5V106Z16TRPLPF			10μF	Z	9.0	10.0	24	2.8	L±0.40, W±0.30
NMC1812Y5V105Z25TRPLPF			25	1.0μF	Z	5.0	100.0	37.5	2.8
NMC1812Y5V155Z25TRPLPF		1.5μF		Z	5.0	66.6	37.5	2.8	L±0.40, W±0.30
NMC1812Y5V225Z25TRPLPF		2.2μF		Z	5.0	45.4	37.5	2.8	L±0.40, W±0.30
NMC1812Y5V335Z25TRPLPF		3.3μF		Z	5.0	30.3	37.5	2.8	L±0.40, W±0.30
NMC1812Y5V475Z25TRPLPF		4.7μF		Z	5.0	21.2	37.5	2.8	L±0.40, W±0.30
NMC1812Y5V685Z25TRPLPF		6.8μF		Z	5.0	14.7	37.5	2.8	L±0.40, W±0.30
NMC1812Y5V106Z25TRPLPF		10μF		Z	5.0	10.0	37.5	2.8	L±0.40, W±0.30
NMC1812Y5V105Z50TRPLPF		50		1.0μF	Z	5.0	100.0	75	2.8
NMC1812Y5V155Z50TRPLPF			1.5μF	Z	5.0	66.6	75	2.8	L±0.40, W±0.30
NMC1812Y5V225Z50TRPLPF			2.2μF	Z	5.0	45.4	75	2.8	L±0.40, W±0.30
NMC1812Y5V335Z50TRPLPF			3.3μF	Z	5.0	30.3	75	2.8	L±0.40, W±0.30
NMC1812Y5V475Z50TRPLPF			4.7μF	Z	5.0	21.2	75	2.8	L±0.40, W±0.30
NMC1812Y5V685Z50TRPLPF			6.8μF	Z	5.0	14.7	75	2.8	L±0.40, W±0.30
NMC1812Y5V106Z50TRPLPF			10μF	Z	7.0	10.0	125	2.2	L+0.50/-0.30, W±0.30

CASE SIZE DIMENSIONS (mm)

EIA Case Size	0201	0402	0603	0805	1206	1210	1812	2220	2225
Length (L)*	0.60	1.00	1.60	2.00	3.20	3.20	4.50	5.70	5.70
Width (W)*	0.30	0.50	0.80	1.25	1.60	2.50	3.20	5.00	6.35
Thickness max. (T)	See Part Number and Specifications Tables								
Termination Width (P)	0.10 ~ 0.20	0.15 ~ 0.35	0.1 ~ 0.65	0.25 ~ 0.75	0.25 ~ 0.85	0.25 ~ 1.00	0.25 ~ 1.5	0.30 min.	0.25 ~ 1.02

*See part number tables for L & W dimension tolerance



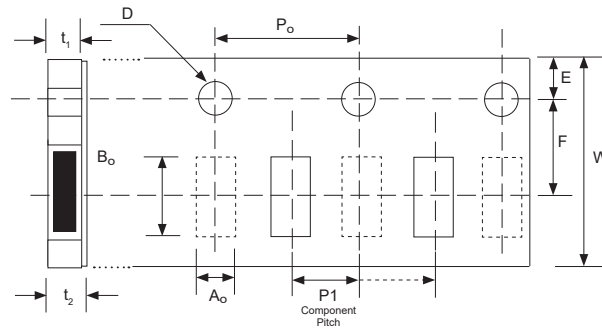
CARRIER TAPE MATERIAL

Parts with a thickness of >1mm will be taped on embossed plastic carrier. Parts with a thickness of less than 1mm will be taped on paper carrier

PUNCHED CARRIER TAPE DIMENSIONS (mm)

Type	A ₀	B ₀	W	F	E	P1	P0	D0	T1 max.	T2 max.	Mounting Hole
01005	0.25 ± 0.04	0.45 ± 0.04	8.0 ± 0.3	3.5 ± 0.05	1.75 ± 0.1	2.0 ± 0.05	4.0 ± 0.1	1.5 +0.1/-0.0	0.27	0.36	Angular Punch Hole
0201	0.37 ± 0.03	0.67 ± 0.05							0.45	0.80	
0402	0.65 ± 0.05	1.15 ± 0.05				4.0 ± 0.10			1.1	1.4	
0603	1.1 ± 0.2	1.9 ± 0.2									
0805	1.65 ± 0.2	2.4 ± 0.2									
1206	2.0 ± 0.2	3.6 ± 0.2									

PUNCHED CARRIER TAPE



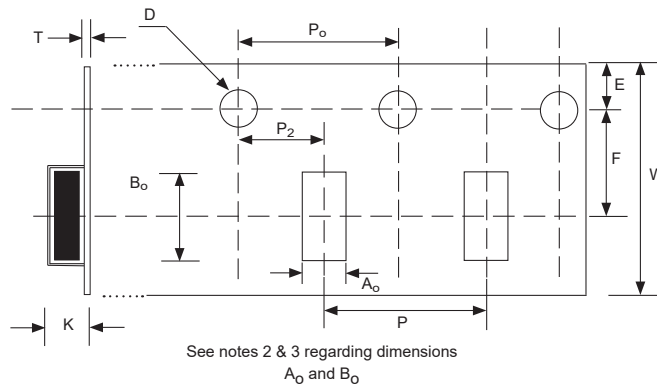
EMBOSSED PLASTIC CARRIER TAPE DIMENSIONS (mm)

Tape Size	W	F	E	P ₀	P ₂	D	K max.	T max.	P
8mm	8.0 ± 0.2	3.5 ± 0.05	1.75 ± 0.10	4.0 ± 0.1	2.0 ± 0.5	1.5 ^{+0.1} _{-0.0}	4.5	0.31	4.0 ± 0.1
12mm	12.0 ± 0.2	5.5 ± 0.05							8.0 ± 0.1

Notes:

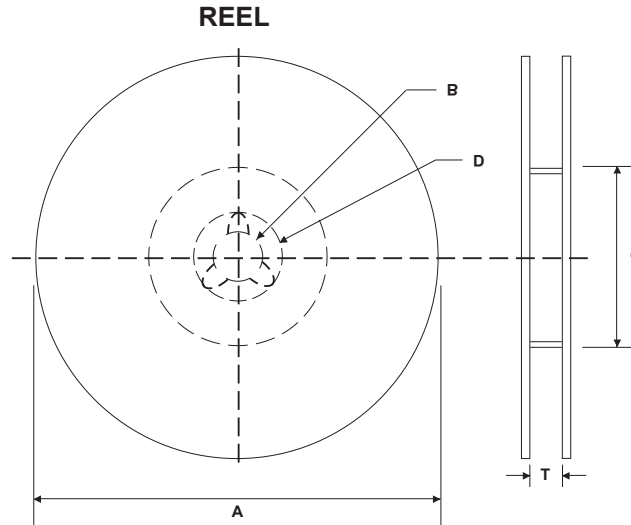
- Specifications are in compliance with EIA RS481-1-A
"Taping of surface Mount Components for Automatic Placement"
- Dimensions A₀ (max.) equals component width dimension plus 0.5mm
- Dimension B₀ (max.) equals component length dimension plus 0.5mm

EMBOSSED PLASTIC CARRIER TAPE



REEL DIMENSIONS (mm)

Reel Diameter (A)	B	C	D	T max.
7" (178 ± 2.0)	13 ± 0.5	50 min.	21 ± 1.0	8.4 +1.0/-0
10" (250 ± 2.0)		100 ± 1.0		(1812 case size and larger
13" (330 ± 2.0)		100 ± 1.0		12.4 +2.0/-0)



7 INCH REEL QUANTITIES*

Size	0201	0402	0603	0805	1206	1210	1812	2220	2225
Tape Size	8mm	8mm	8mm	8mm	8mm	8mm	12mm	12mm	12mm
Min. Qty Per Reel	15,000	10,000	4,000	4,000	4,000	1,000	500	700	400
Max. Qty Per Reel	15,000	10,000	4,000	5,000	5,000	5,000	2,000	1,000	1,000

*Quantity dependent on chip thickness. Contact NIC for reel quantities on larger diameter reels.