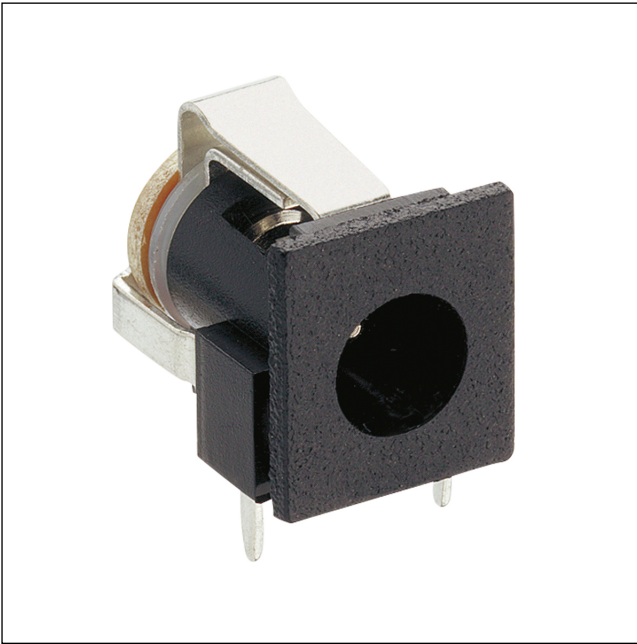


16

NEB 1 R

Power supply connectors

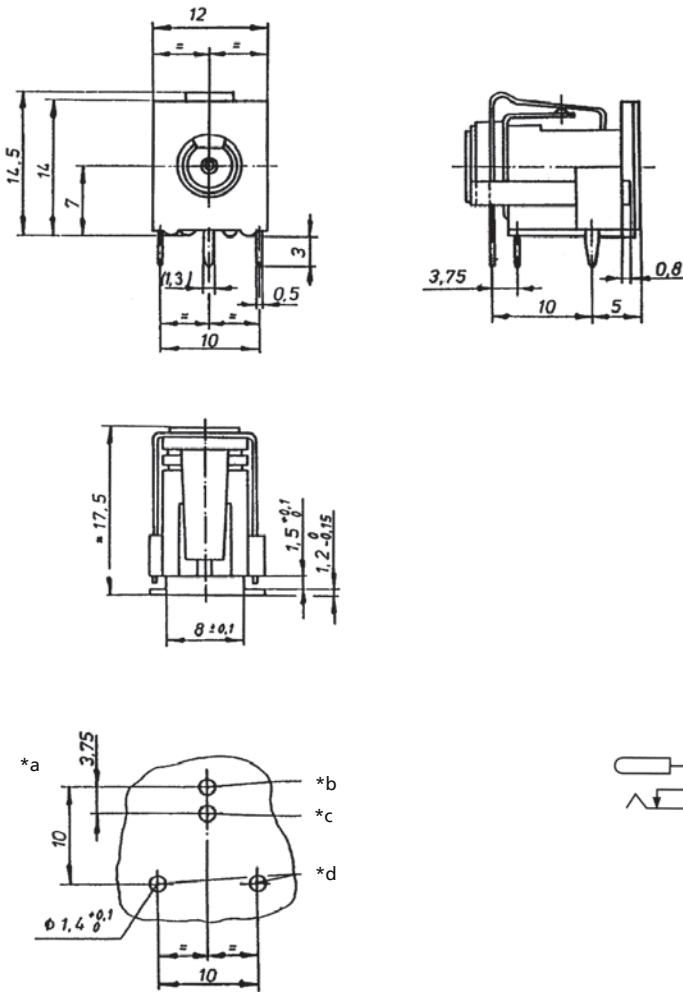


Power supply chassis socket acc. to DIN 45323, angular version, with flange and break contact, for printed circuit boards

State: Active

16

NEB 1 R



- *a printed circuit board layout
- *b outer contact (positive pole)
- *c break contact
- *d inner contact (negative pole)

Materials

Contact	CuNiSi, tin-plated
Housing	POM

Mechanical data

Diameter opening	6,6 mm
Diameter center pin	1,9 mm
Mating cycles	≥ 5000
Contact pressure	≥ 1,2 N (after 5000 mating cycles ≥ 1 N)

Electrical data (at T_{amb} 20 °C)

Rated current	3 A
Rated voltage	34 V DC

Associated products

Counterparts
☑ NES 1



16

NEB 1 R

Designation	Pole Number	PU (Pieces)	MDQ (Pieces)
NEB 1 R	2	200	400

Packaging:

in bulk, in a cardboard box or a plastic bag