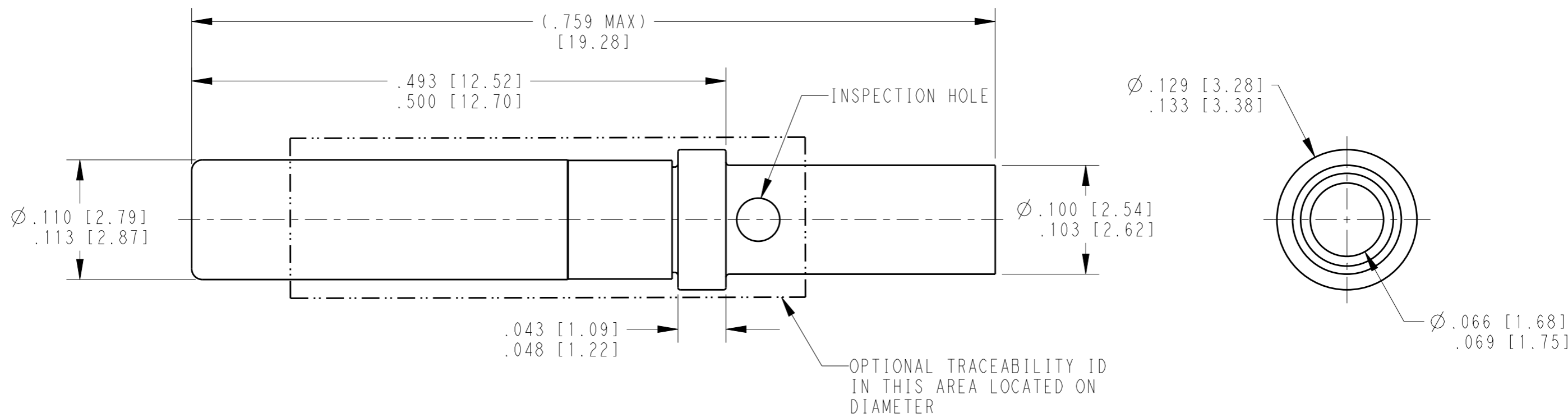


REVISIONS

| P | LTR | DESCRIPTION | DATE | DWN | APVD |
|---|-----|------------------------------|-----------|-----|------|
| | NC | NEW RELEASE PER E.O. P15506 | 23DEC1997 | DM | RDR |
| | A | RELEASED PER E.O. P15996 | 25MAY1999 | DM | RDR |
| | B | RELEASED PER PCN E-18-001206 | 24JAN2018 | JA | DM |
| | B1 | REVISED PER PCN E-19-018080 | 21NOV2019 | MK | DM |



| TE INTERNAL PN | DEUTSCH PN | PLATING |
|----------------|----------------|---------|
| 0462-201-1631 | 0462-201-1631 | GOLD |
| 0462-201-16141 | 0462-201-16141 | NICKEL |

| | | | | |
|--|--|--------------------------------|-----------------------------------|-----------------------------|
| THIS DRAWING IS A CONTROLLED DOCUMENT. | | DWN D. MEYER 17DEC1997 | STE TE Connectivity | |
| DIMENSIONS: INCHES [mm] | | CHK V. TOMSA 25MAY1999 | | |
| TOLERANCES UNLESS OTHERWISE SPECIFIED: | | APVD R. REED 25MAY1999 | NAME CONTACT SOCKET SIZE 16 | |
| 0 PLC \pm | | PRODUCT SPEC 108-151004 | SIZE A3 | |
| 1 PLC \pm | | APPLICATION SPEC 114-151004 | CAGE CODE 4AFU8 | DRAWING NO 0462-201-16XX |
| 2 PLC \pm | | WEIGHT 0.60g | RESTRICTED TO - | |
| 3 PLC \pm | | CUSTOMER DRAWING | SCALE 10:1 | SHEET 1 OF 1 |
| 4 PLC \pm | | | | REV B1 |
| ANGLES \pm | | | | |
| FINISH | | | | |

NOTES:
1. SEE APPLICATION SPECIFICATION 114-151004 FOR CRIMP TOOLS AND WIRE RANGE.